

IP SU

IMPERIAL SU



A three-chamber window system with thermal insulation designed for windows with a hidden sash, invisible from the outside.

IP SU

A door system designated for designing doors with high thermal insulation parameters.

The system is compatible with Imperial system - thanks to adaptive profiles designs in series IP 800 can be integrated with Imperial shop windows.

The system features very good anti-burglary properties (the lock is situated far from the outer side).

Profile drainage in two variants: traditional and hidden.

The option of bending profiles (detailed specification of profiles and detailed technical parameters of profile bending process are available in the customer area of the website www.aliplast.pl).

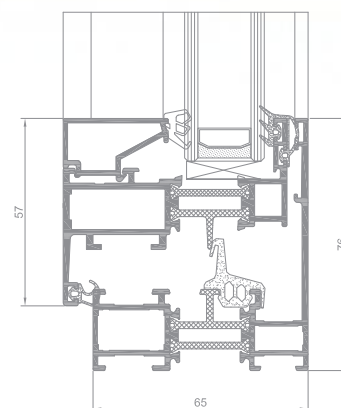
The hidden sash system is the system preferred by designers, as it allows "hiding" windows in aluminium and glass structure. Thanks to application of this solution opened and fixed window segments look identical from the outside.

The system IP SU is also available in the variant with improved thermal insulation power:

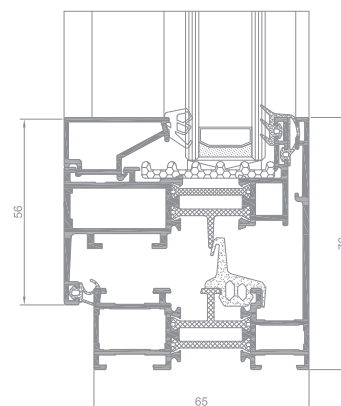
- IP SU i - applying thermal insulation under the glass panel.

There is possibility of use Flyscreen system (Flyscreen – fly screens are a practical and an extremely functional protection against insects).

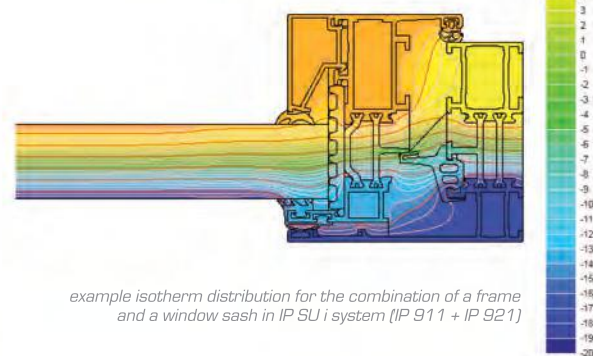
A wide range of colours available - RAL palette, structural colours, Aliplast Wood Colour Effect, bi-colour.



IP SU window section



IP SU i window section



example isotherm distribution for the combination of a frame and a window sash in IP SU i system (IP 911 + IP 921)

TECHNICAL SPECIFICATION

SYSTEM	MATERIAL	DEPTH OF FRAME	DEPTH OF LEAF	GLAZING RANGE	TYPE OF WINDOWS	TYPE OF DOORS
IP SU	aluminium / polyamid	65 mm /	68 mm /	4-41 mm	hidden sash	_____
IP SU i	aluminium / polyamid	65 mm /	68 mm /	4-41 mm	hidden sash	_____

PERFORMANCE

SYSTEM	THERMAL INSULATION Uf *	AIR PERMEABILITY	WINDLOAD RESISTANCE	WATERTIGHTNESS
IP SU	Uf from 1,63 W/m ² K	Class 4; EN 12207	Class C5/B5; EN 12210	Class E1200; EN 12208
IP SU i	Uf from 1,27 W/m ² K	Class 4; EN 12207	Class C5/B5; EN 12210	Class E1200; EN 12208

* Thermal insulation is dependent on a combination of profiles and thickness of the filling.