

sapa:

Artline

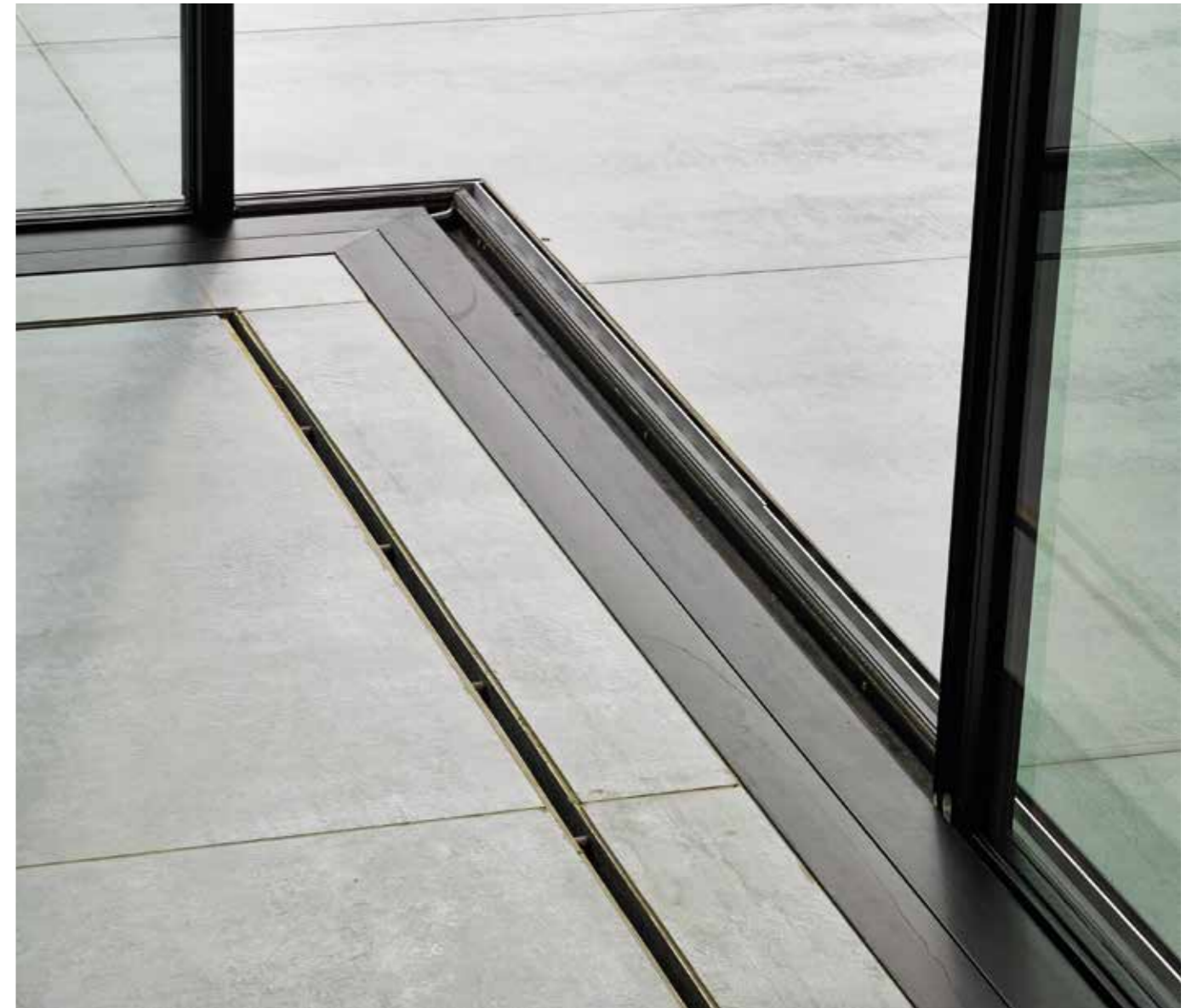
Light is more





Design

Elegantly bringing the outside inside, the Artline window is art with a purpose - quality, lightness and comfort. Its design implies a conscious effort to create an art object that is both functionally and aesthetically pleasing. Creative both in its design and in its effect on the building and the user, Artline is contemporary architecture.



Minimal

The impression of extreme simplicity and lightness of Artline is a result of the special attention given to the combined action between glass, frameless windows, elegant lighting and careful architectural consideration of spaces where LIGHT IS MORE. Artline's sophisticated minimalist design creates a light and fluid appearance, even for large fix and openable windows.





Functional

The range of functions that Artline is able to perform is extensive, giving it a high level of practicality. Floor to ceiling glass walls can easily be opened and closed to let the outside come in. Each sash can carry up to 1200 kg, allowing both large and heavy glazed infills. Artline windows can reach up to 3,5 metres in height. The window's impressive sizes coupled with a minimal visible frame width allow building interiors to be flooded with light.

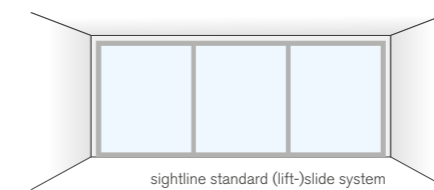


Technology

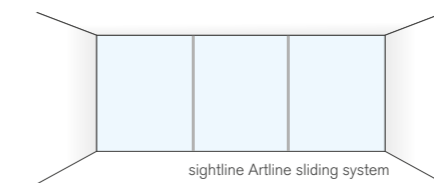
Artline's state of the art aluminium window technology includes optimal thermal and acoustic insulation, high weather resistance and security solutions. The high level of technology used within Artline frames makes it top performing:

- Security
- Durability
- Maximum transparency
- Impressive weather performance
- High thermal comfort

Maximum light



sightline standard (lift-)slide system



sightline Artline sliding system



Artline

High performance thermally insulated sliding door system with a slim sightline near the meeting stile (26 or 38 mm).

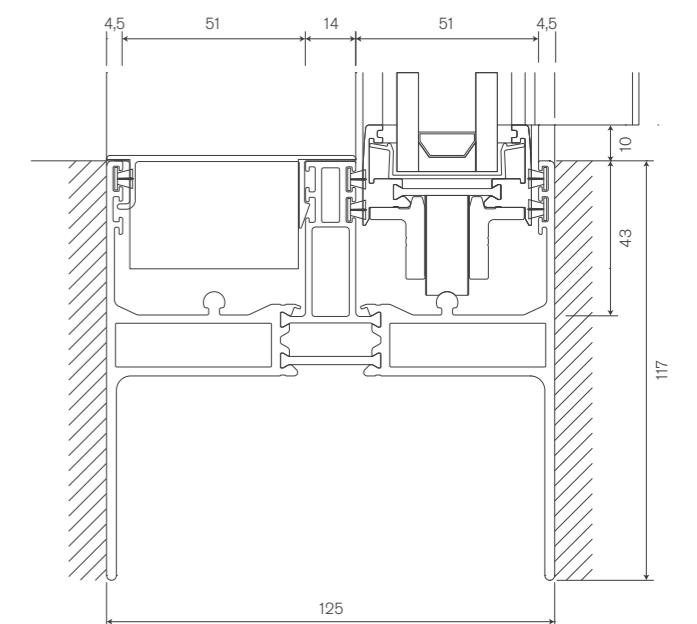
Characteristics

Vent weight	up to 320 kg
Max height without reinforcement	3 m
Quadruple synthetic or stainless-steel wheels, dustproof ball bearing	
Building depth frame:	125 mm
Vent depth:	47 mm
Max. glazing vent:	42 mm
Minimalistic design	
Complies with CE marking	
Burglary resistance	class RC2

Performances

Water, Air & Wind classes	E750 - 4 - C3
U_w ($U_g = 0,7 / \Psi = 0,051$)	1,18
U_w ($U_g = 0,5 / \Psi = 0,039$)	0,98

U_w value based on test element of 3000 x 2800 mm

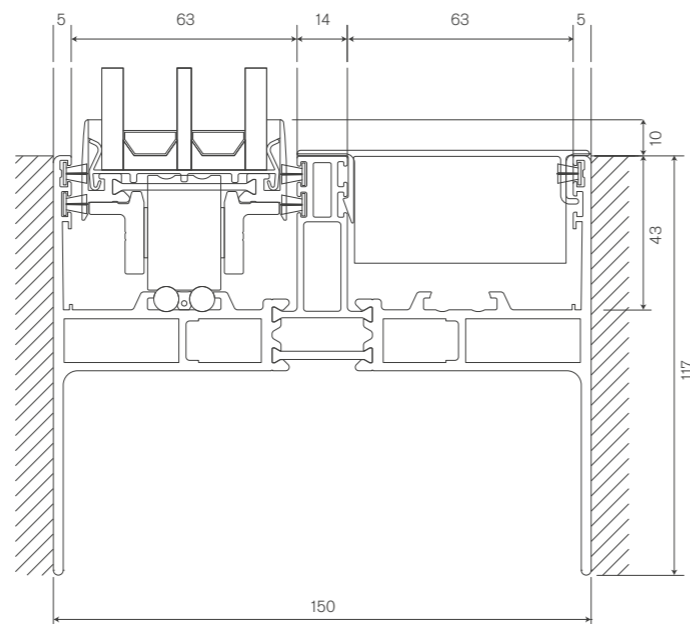


Artline XL

High performance thermally insulated sliding door system with a slim sightline near the meeting stile (26 or 38 mm).

Characteristics	
Vent weight	up to 500 kg*
Max height without reinforcement	3,5 m
Quadruple stainless-steel wheels on a double rail, dustproof ball bearing	
Building depth frame:	150 mm
Vent depth:	57 mm
Max. glazing vent:	52 mm
Burglary resistance	class RC2
Minimalistic design	
Complies with CE marking	
* up to 1200 kg upon request	
Performances	
Water, Air & Wind classes	E750 - 3 - C3
$U_w (U_g = 0,7 / \Psi = 0,051)$	1,17
$U_w (U_g = 0,5 / \Psi = 0,039)$	0,97

U_w value based on test element of 3000 x 2800 mm



Artline XL

Rollers in the frame solution

High performance thermally insulated sliding door system with a slim sightline near the meeting stile (26 mm) with the rollers integrated in the frame profile.

Characteristics	
Vent weight	up to 500 kg
Max height without reinforcement	3,5 m
Integrated rolling mechanism in bottom profile	
Building depth frame:	150 mm
Vent depth:	57 mm
Max. glazing vent:	45 mm
Minimalistic design	
Complies with CE marking	
Performances	
Water, Air & Wind classes	E900 - 4 - C3
$U_w (U_g = 0,7 / \Psi = 0,051)$	1,14
$U_w (U_g = 0,5 / \Psi = 0,039)$	0,94

U_w value based on test element of 3000 x 2800 mm

