

Front mounted roller shutters

**PORTOS**

**2000**®

**TECHNICAL CATALOGUE**





## TABLE OF CONTENTS:

Features and benefits of external systems	2
Box components	3
Sections and parts list ST2000	4
Sections and parts list RL2000	8
Sections and parts list OS2000	12
Sections and parts list OL2000	16
Sections and parts list IT2000	20
Sides	24
Components of ALU boxes	26
Additional components	35
Mosquito net	48
Curtain profiles, profile plugs	50
Bottom laths, additional components of the bottom lath	54
Guides, additional components of guides	57
Divisions	63
Assembly drawings - divisions	73
Assembly drawings - outputs of the tape	86
Assembly drawings - outputs of the cord and the cable	87
Assembly drawings - crank lifting mechanism	88
Assembly drawings - NHK installation	90
Assembly drawings – motor installation	92
Assembly drawings - guide installation	93
Assembly drawings - method of attaching latches and guide spacer strips	95
Assembly drawings - drilling holes in guides	97
Installation of the cylinder lock in the bottom lath	98
Recommended box sizes	99
Declaration of performance	104



## ST2000<sup>®</sup> with mosquito net

- + box cut at an angle of 45°
- + the roller shutter can be mounted on the wall without limiting the window light
- + the system is available in wood-like colors

## RL2000<sup>®</sup> with mosquito net

- + roller shutter with rounded bottom component of the box
- + a perfect idea for the new facade
- + perfectly protects the rooms from excessive sunshine and heating



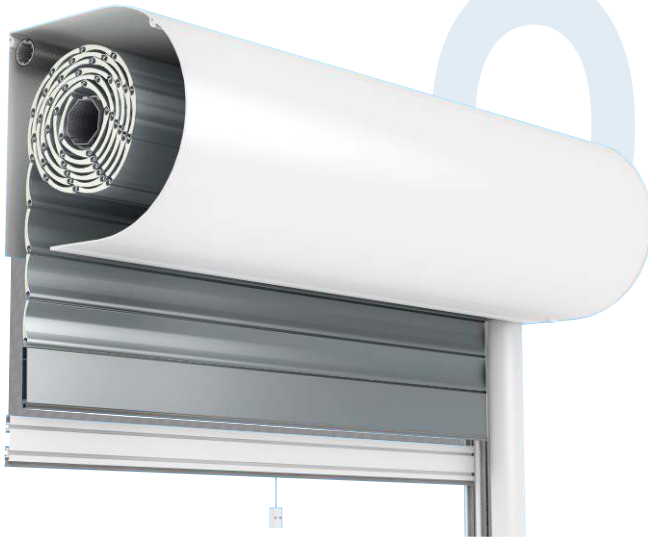
## OS2000<sup>®</sup> with mosquito net

- + box with an attractive oval design made of bent sheet metal
- + perfectly protects against sun, wind, rain, snow and other atmospheric phenomena
- + ensures privacy and significantly affects the sense of security of the household members



ST2000, RL2000, OS2000, OL2000, IT2000 are PORTOS trademarks.  
All photos and drawings contained in the catalogue are for reference only.  
The PORTOS company reserves the right to make changes. ©2019 PORTOS. All rights reserved.

# Components of the box



## OL2000<sup>®</sup> with mosquito net

- +** rounded box made of extruded aluminium
- +** reflects the sun rays in front of the glass, preventing the rooms from heating up
- +** aesthetically finished guides

## IT2000<sup>®</sup> with mosquito net

- +** roller shutter perfectly matched to the color of your windows
- +** the inspection cover located in the box is outside the building which allows for a clean and simple service operation
- +** aesthetic appearance owing to the possibility of building up the box



### LEGEND:

ST2000

ST2000  
RL2000  
OS2000  
OL2000

The system for which the component is designed.

SKRZYŃKA  
137,165,205

SKRZYŃKA  
165

The size of the box for which the component is designed.

1mb  
0,2kg

1szt  
0,3kg

The indicative weight of the component (in kg).

Max.  
6mb

The maximum length of a long component (given in meters).

ALU

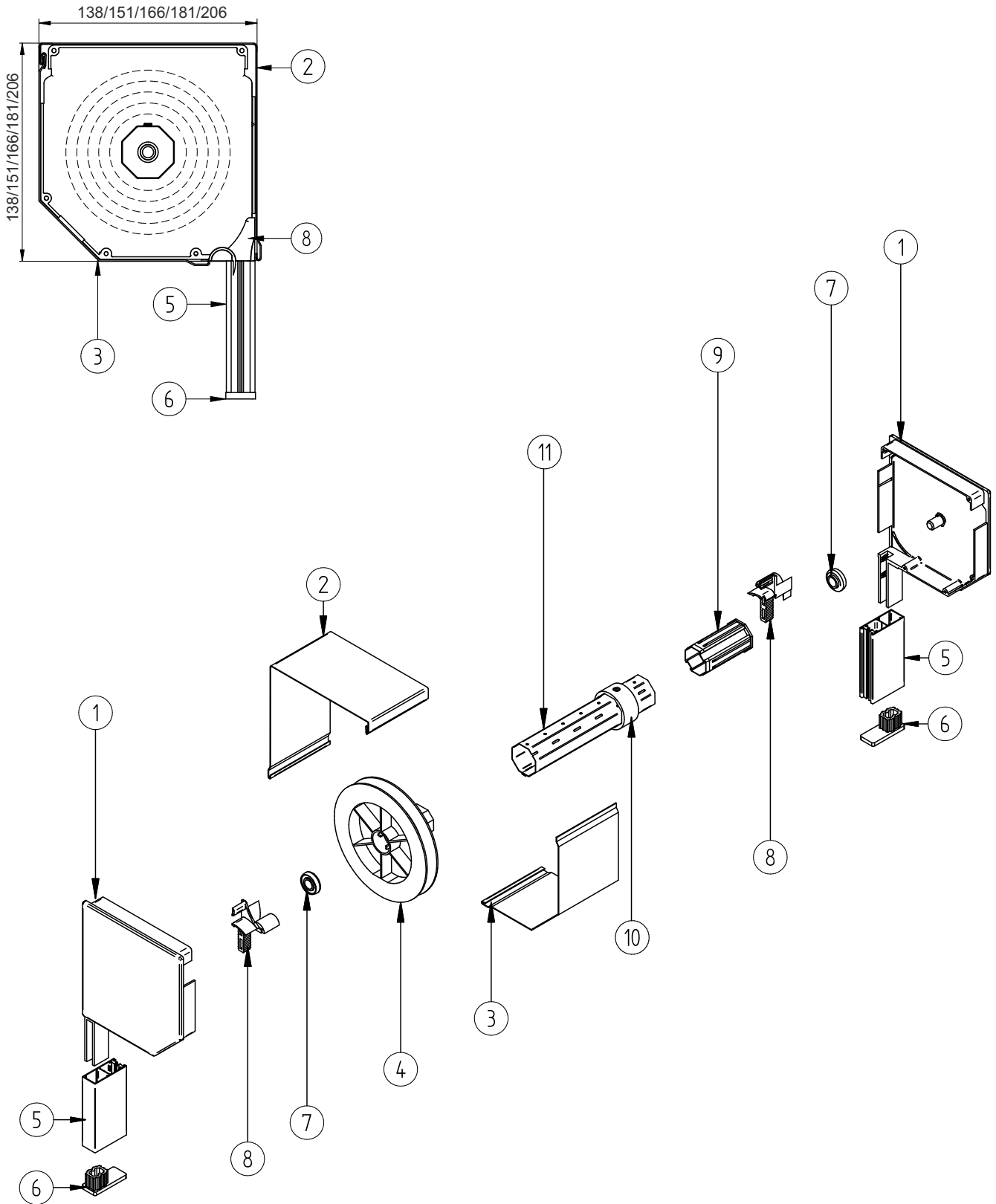
PVC

The material used to make a component (e.g. PVC, aluminium, etc.).

—

The component with a veneering option.

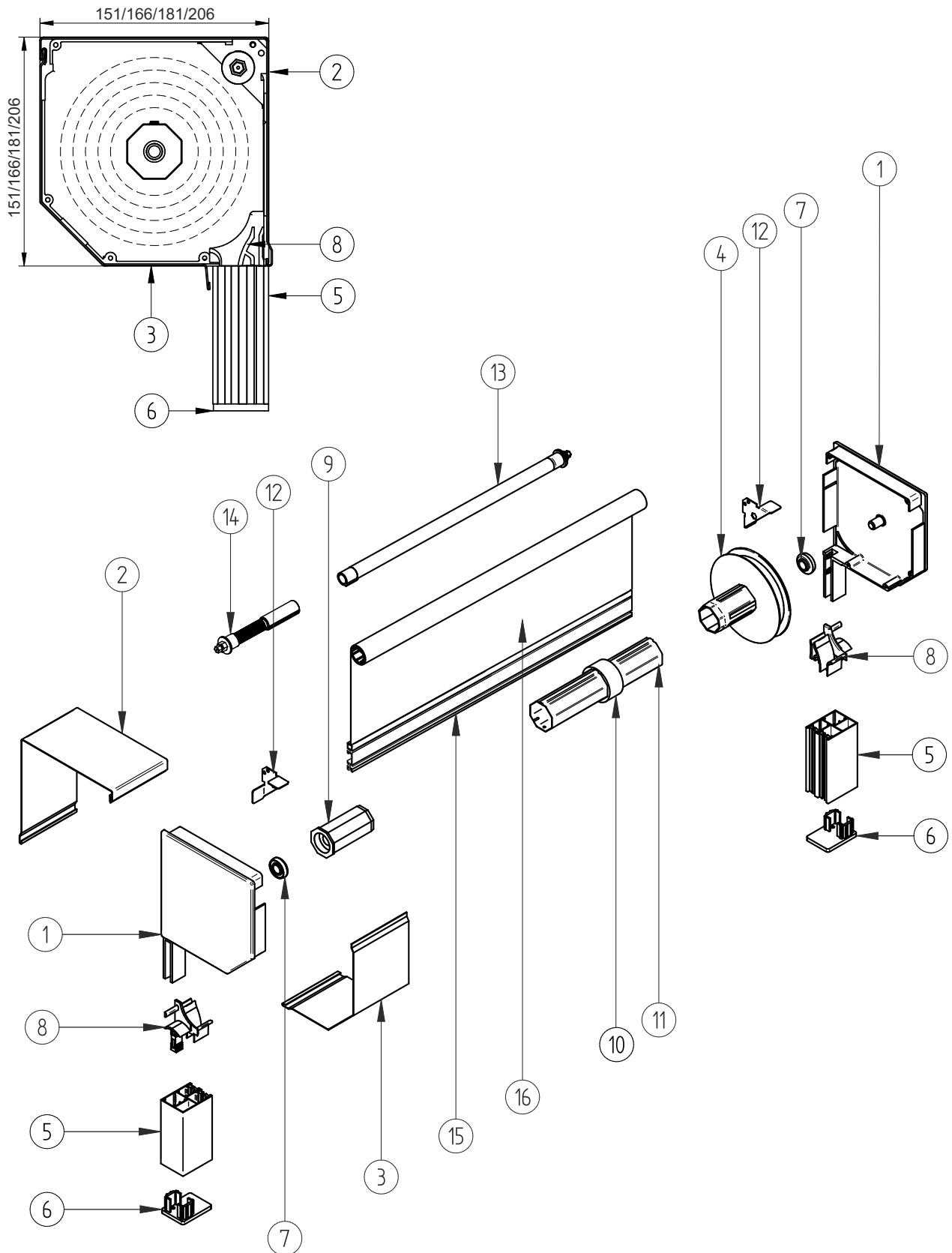
# Components of the ST2000<sup>®</sup> system Box 137, 150, 165, 180, 205 - cross section and parts list



## ST2000® - cross-section and parts list

1.	BS-137 L/R	Side of the box	ST2000 137
	BS-150 L/R	Side of the box	ST2000 150
	BS-165 L/R	Side of the box	ST2000 165
	BS-180 L/R	Side of the box	ST2000 180
	BS-205 L/R	Side of the box	ST2000 205
2.	SK-137G	Box 137 top	
	SK-150G	Box 150 top	
	SK-165G	Box 165 top	
	SK-180G	Box 180 top	
	SK-205G	Box 205 top	
3.	SK-137D	Box ST2000 137 bottom	
	SK-150D	Box ST2000 150 bottom	
	SK-165D	Box ST2000 165 bottom	
	SK-180D	Box ST2000 180 bottom	
	SK-205D	Box ST2000 205 bottom	
4.	KNO-40-137	Wheel of the roller for box 137	
	KNO-40-150	Wheel of the roller for box 150	
	KNO-40-165	Wheel of the roller for box 165	
	KNO-40-205	Wheel of the roller for boxes 180 and 205	
5.	PP-53	Single guide	
6.	P-53	Plug for aluminium guides PP-53	
7.	LO 28/12	Bearing for ALU	
8.	SPP L/P	Profile blade slider	
9.	OBS-40	Mounting for ø 40 pipe	
	OBS-60	Mounting for ø 60 pipe	
10.	PZ40/50	Expansion ring	
	PZ60/70	Expansion ring	
11.	SW 40	Octagonal pipe ø 40	
	SW 60	Octagonal pipe ø 60	

# Components of the ST2000<sup>®</sup> system with mosquito net Box 150, 165, 180, 205 - cross section and parts list

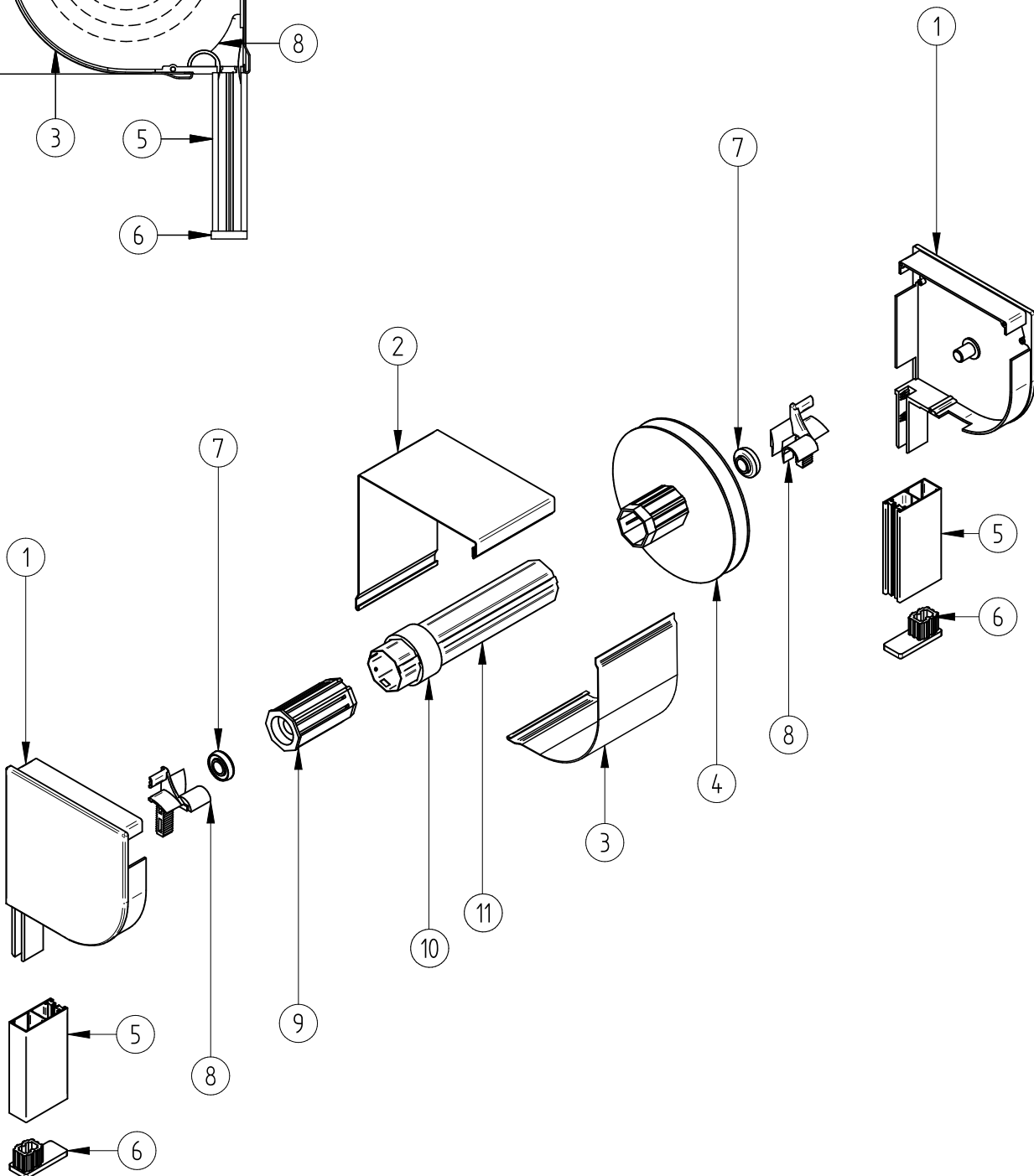
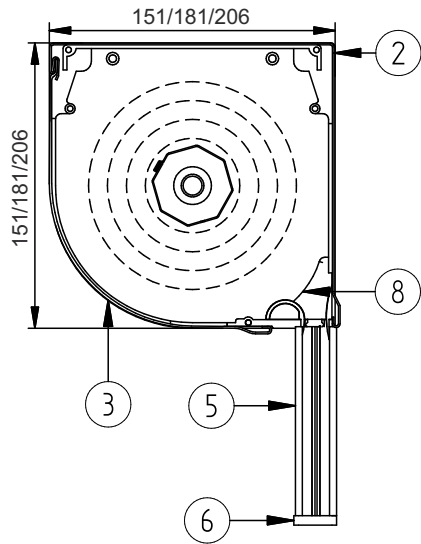




## ST2000<sup>®</sup> with mosquito net - cross-section and parts list

1.	BS-150 L/R	Side of the box ST2000 150
	BS-165 L/R	Side of the box ST2000 165
	BS-180 L/R	Side of the box ST2000 180
	BS-205 L/R	Side of the box ST2000 205
2.	SK-150G	Box 150 top
	SK-165G	Box 165 top
	SK-180G	Box 180 top
	SK-205G	Box 205 top
3.	SK-150DM	Box ST2000 150 bottom for mosquito net
	SK-165DM	Box ST2000 165 bottom for mosquito net
	SK-180DM	Box ST2000 180 bottom for mosquito net
	SK-205DM	Box ST2000 205 bottom for mosquito net
4.	KNO-40-150	Wheel of the roller for box 150
	KNO-40-165	Wheel of the roller for box 165
	KNO-40-205	Wheel of the roller for boxes 180 and 205
5.	PPDM-53	ALU double guide for mosquito net
6.	P-53M	Plug for aluminium guides PPDM-53
7.	LO 28/12	Bearing for ALU
8.	SPPM L/P	Profile blade slider
9.	OBS-40	Mounting for $\varnothing$ 40 pipe
	OBS-60	Mounting for $\varnothing$ 60 pipe
10.	PZ40/50	Expansion ring
	PZ60/70	Expansion ring
11.	SW 40	Octagonal pipe $\varnothing$ 40
	SW 60	Octagonal pipe $\varnothing$ 60
12.	M-RZ-040	Mosquito net handle in the front mounted roller shutter
13.	M-RZ-200	Mosquito net handle in the front mounted roller shutter
14.	M-RZ-210	Slowing system for mosquito net in the front mounted roller shutter
15.	LDM-41x8 CH	Bottom lath for mosquito net
16.	MOS FI23 1,7	Mosquito net on the pipe $\varnothing$ 23 1,7
	MOS FI23 2,6	Mosquito net on the pipe $\varnothing$ 23 2,6

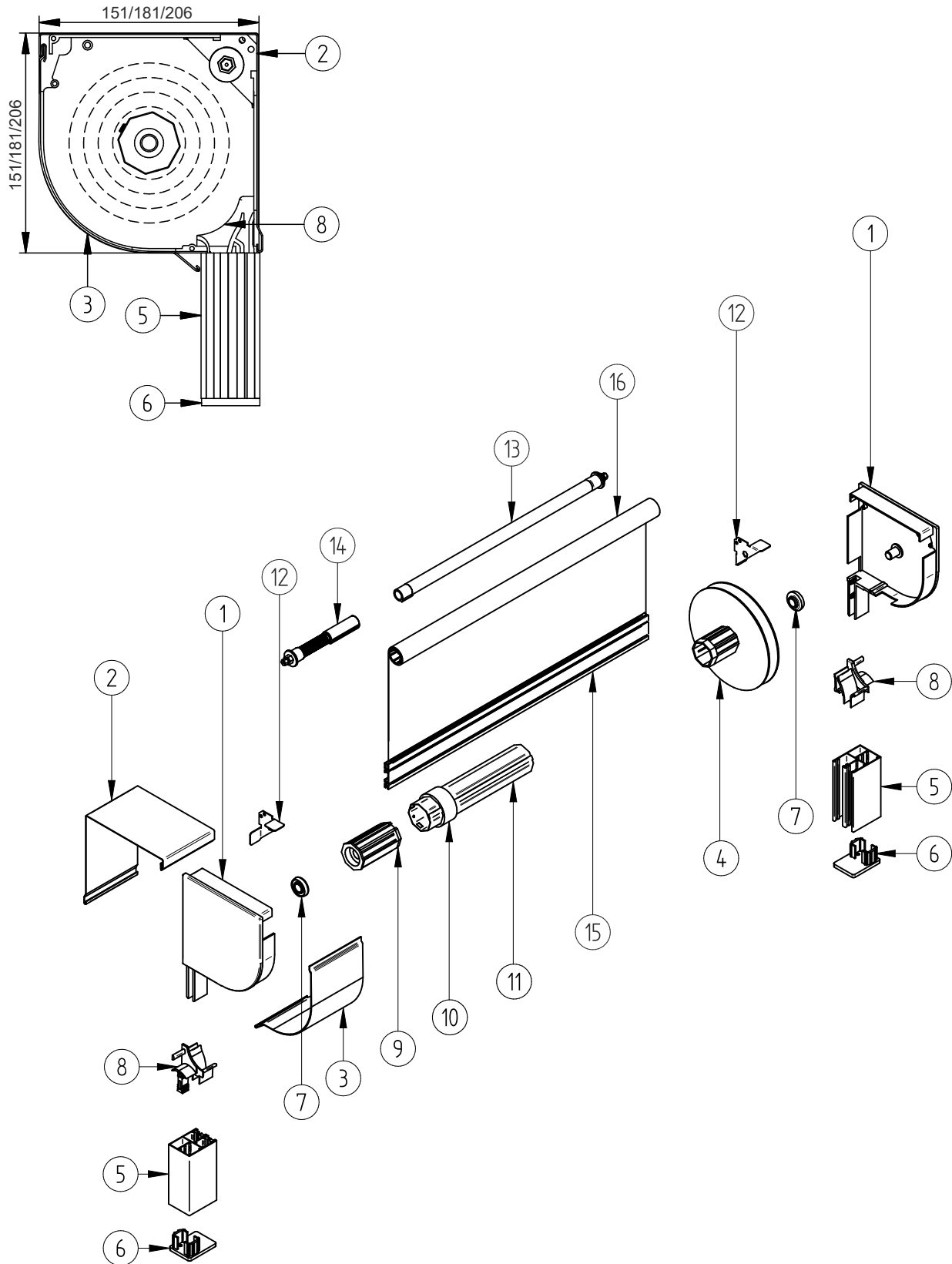
# Components of the RL2000® system Box 150, 180, 205 - cross section and parts list



## RL2000® - cross-section and parts list

1.	BS-150 RL2000 L/R	Box side RL2000 150
	BS-180 RL2000 L/R	Box side RL2000 180
	BS-205 RL2000 L/R	Box side RL2000 205
2.	SK-150G	Box 150 top
	SK-180G	Box 180 top
	SK-205G	Box 205 top
3.	SK-150D RL2000	Box RL2000 150 bottom
	SK-180D RL2000	Box RL2000 180 bottom
	SK-205D RL2000	Box RL2000 205 bottom
4.	KNO-40-150	Wheel of the roller for box 150
	KNO-40-205	Wheel of the roller for boxes 180 and 205
5.	PP-53	Single guide
6.	P-53	Plug for aluminium guides PP-53
7.	LO 28/12	Bearing for ALU
8.	SPP L/P	Profile blade slider
9.	OBS-40	Mounting for ø 40 pipe
	OBS-60	Mounting for ø 60 pipe
10.	PZ40/50	Expansion ring
	PZ60/70	Expansion ring
11.	SW 40	Octagonal pipe ø 40
	SW 60	Octagonal pipe ø 60

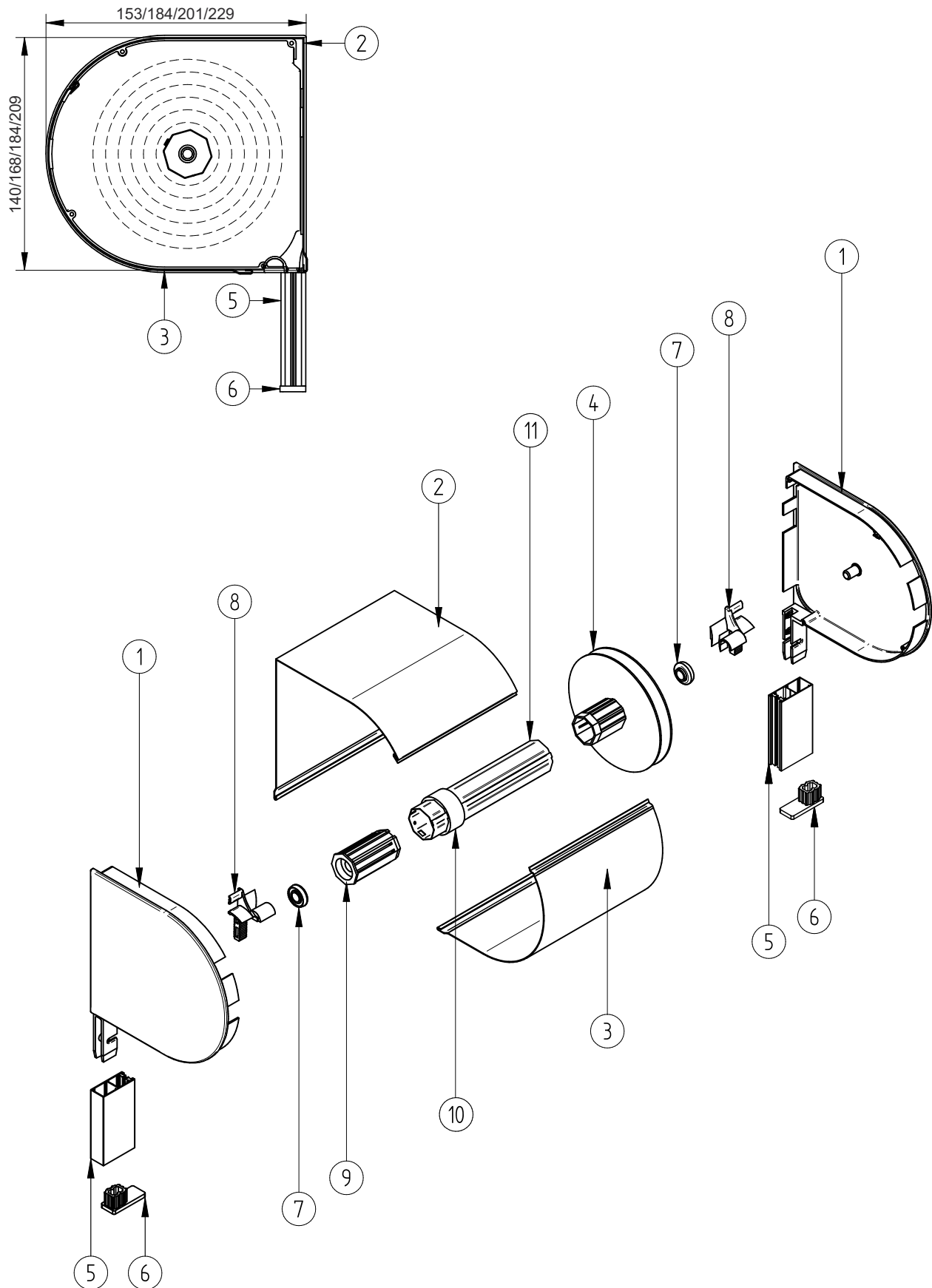
Components of the RL2000<sup>®</sup> system with mosquito net  
 Box 150, 180, 205 - cross section and parts list



## RL2000® with mosquito net - cross-section and parts list

1.	BS-150 RL2000 L/R	Box side RL2000 150
	BS-180 RL2000 L/R	Box side RL2000 180
	BS-205 RL2000 L/R	Box side RL2000 205
2.	SK-150G	Box 150 top
	SK-180G	Box 180 top
	SK-205G	Box 205 top
3.	SK-150DM RL2000	Box RL2000 150 bottom for mosquito net
	SK-180DM RL2000	Box RL2000 180 bottom for mosquito net
	SK-205DM RL2000	Box RL2000 205 bottom for mosquito net
4.	KNO-40-150	Wheel of the roller for box 150
	KNO-40-205	Wheel of the roller for boxes 180 and 205
5.	PPDM-53	ALU double guide for mosquito net
6.	P-53M	Plug for aluminium guides PPDM-53
7.	LO 28/12	Bearing for ALU
8.	SPPM L/P	Profile blade slider
9.	OBS-40	Mounting for ø 40 pipe
	OBS-60	Mounting for ø 60 pipe
10.	PZ40/50	Expansion ring
	PZ60/70	Expansion ring
11.	SW 40	Octagonal pipe ø 40
	SW 60	Octagonal pipe ø 60
12.	M-RZ-040	Mosquito net handle in the front mounted roller shutter
13.	M-RZ-200	Mosquito net spring in the front mounted roller shutter
14.	M-RZ-210	Slowing system for mosquito net in the front mounted roller shutter
15.	LDM-41x8 CH	Listwa dolna do moskitiery
16.	MOS FI23 1,7	Moskitiera na rurce ø 23 1,7
	MOS FI23 2,6	Moskitiera na rurce ø 23 2,6

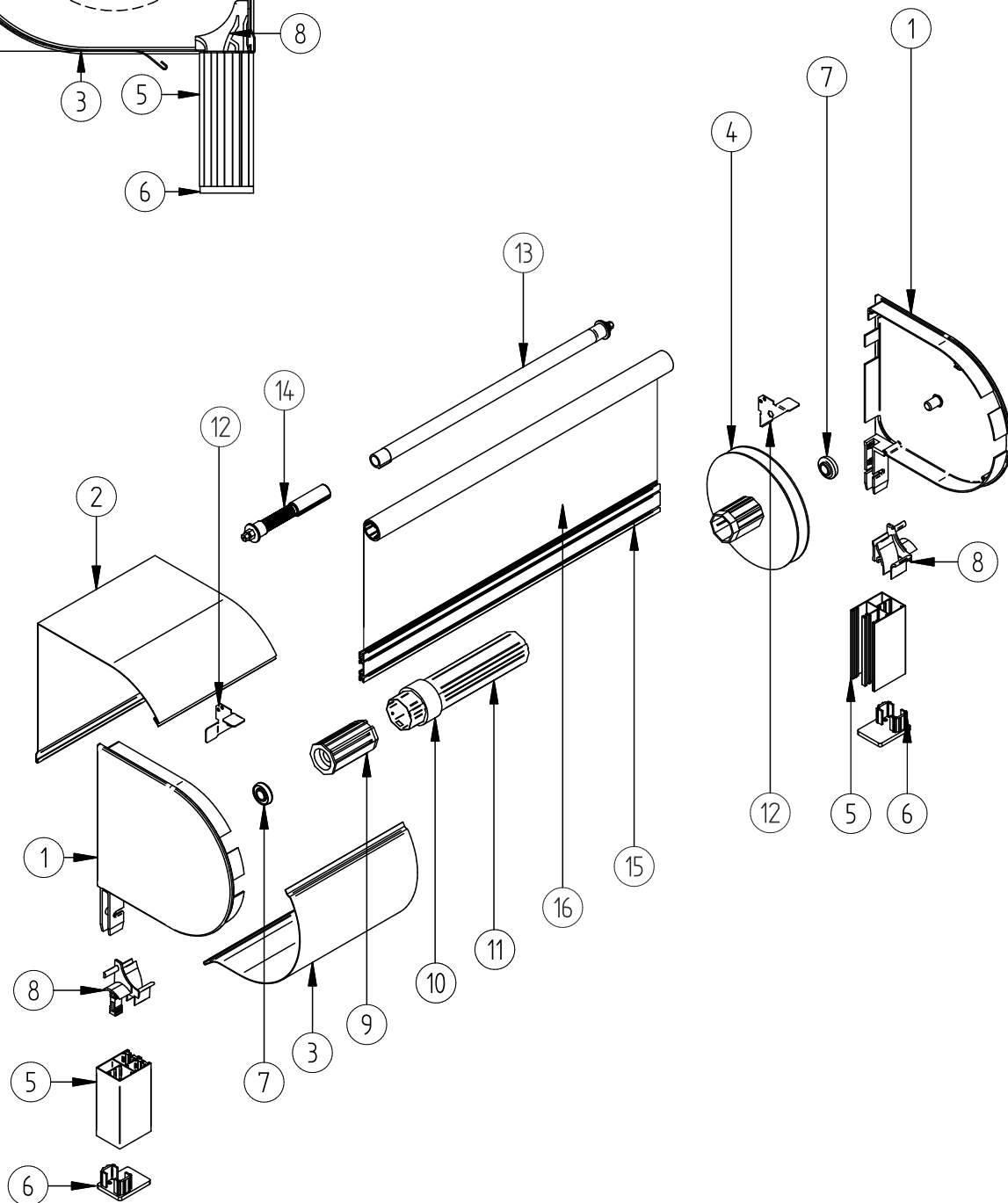
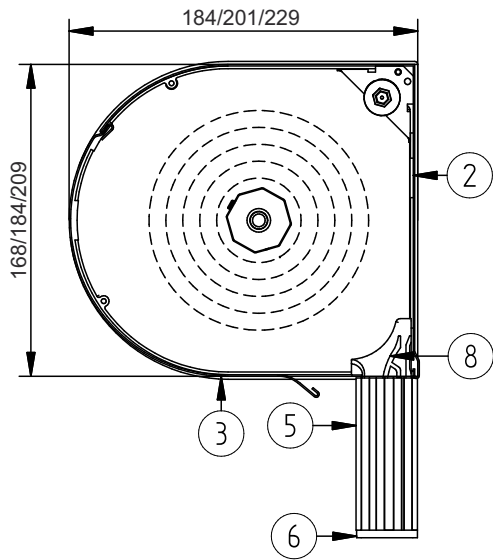
Components of the OS2000® system  
Box 137, 165, 180, 205 - cross section and parts list



## OS2000® - cross-section and parts list

1.	BS-137 OS/OL L/R	Box side OS2000 137
	BS-165 OS/OL L/R	Box side OS2000 165
	BS-180 OS/OL L/R	Box side OS2000 180
	BS-205 OS/OL L/R	Box side OS2000 205
2.	SK-OS-137G	Box OS2000 137 top
	SK-OS-165G	Box OS2000 165 top
	SK-OS-180G	Box OS2000 180 top
	SK-OS-205G	Box OS2000 205 top
3.	SK-OS-137D	Box OS2000 137 bottom
	SK-OS-165D	Box OS2000 165 bottom
	SK-OS-180D	Box OS2000 180 bottom
	SK-OS-205D	Box OS2000 205 bottom
4.	KNO-40-150	Wheel of the roller for box 150
	KNO-40-205	Wheel of the roller for boxes 180 and 205
5.	PP-53	Single guide
6.	P-53	Plug for aluminium guides PP-53
7.	LO 28/12	Bearing for ALU
8.	SPP L/P	Profile blade slider
9.	OBS-40	Mounting for ø 40 pipe
	OBS-60	Mounting for ø 60 pipe
10.	PZ40/50	Expansion ring
	PZ60/70	Expansion ring
11.	SW 40	Octagonal pipe ø 40
	SW 60	Octagonal pipe ø 60

Components of the OS2000® system with mosquito net  
 Box 165, 180, 205 - cross section and parts list

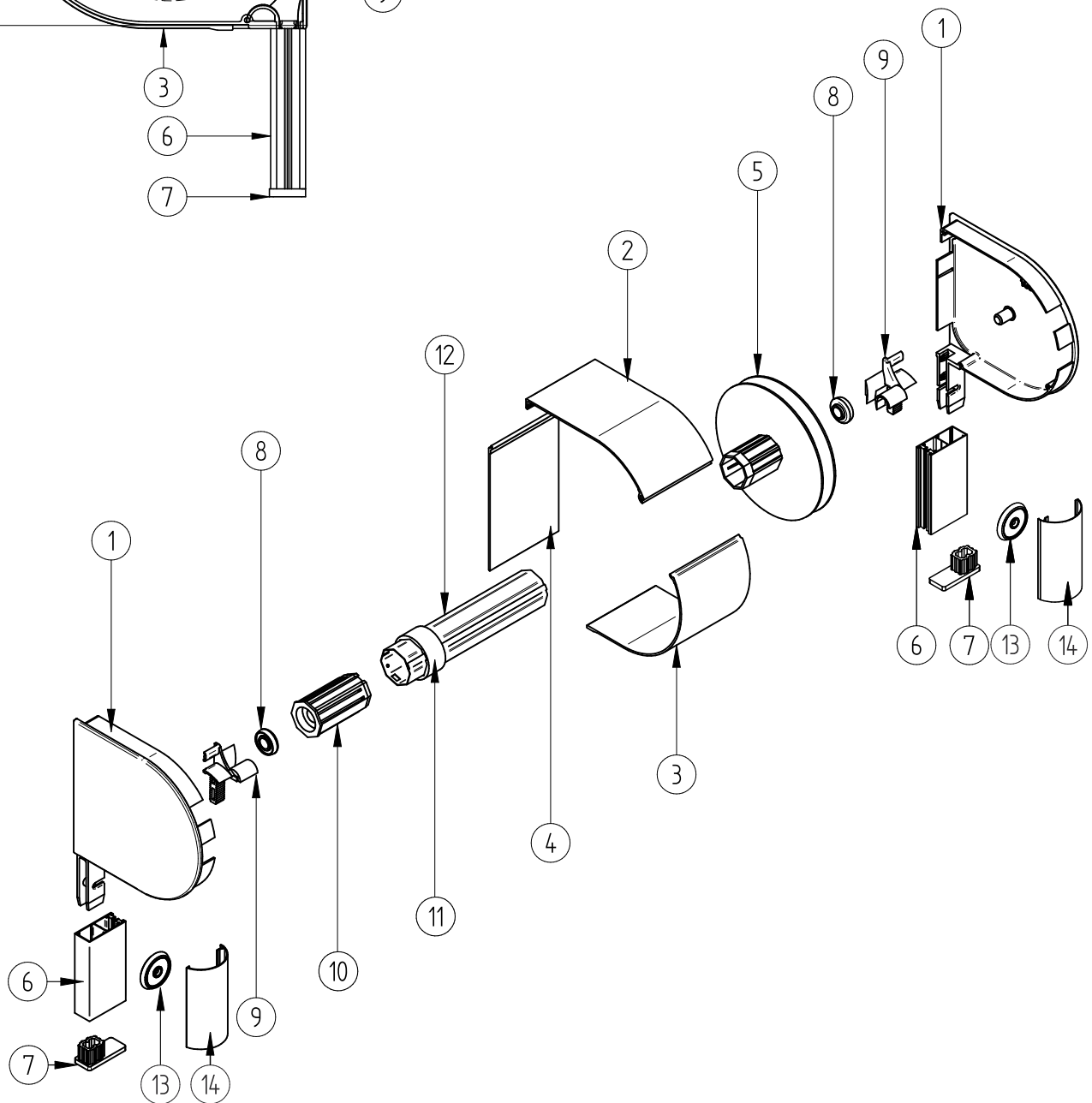
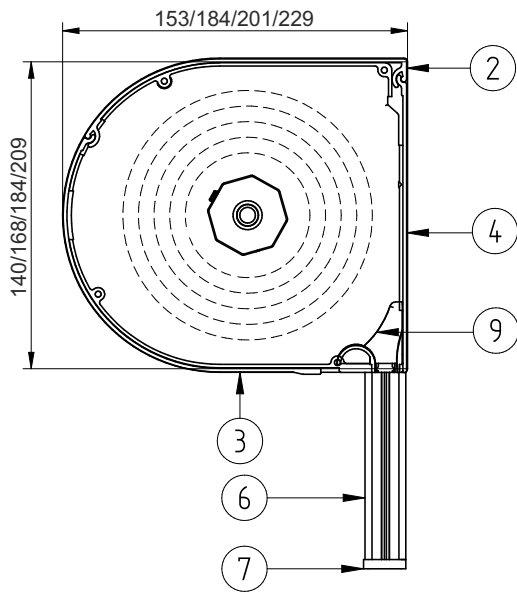




## OS2000® with mosquito net - cross-section and parts list

1.	BS-165 OS/OL L/R	Box side OS2000 165
	BS-180 OS/OL L/R	Box side OS2000 180
	BS-205 OS/OL L/R	Box side OS2000 205
2.	SK-OS-165G	Box OS2000 165 top
	SK-OS-180G	Box OS2000 180 top
	SK-OS-205G	Box OS2000 205 top
3.	SK-OS-165DM	Box OS2000 165 bottom for mosquito net
	SK-OS-180DM	Box OS2000 180 bottom for mosquito net
	SK-OS-205DM	Box OS2000 205 bottom for mosquito net
4.	KNO-40-165	Wheel of the roller for box 165
	KNO-40-205	Wheel of the roller for boxes 180 and 205
5.	PPDM-53	ALU double guide for mosquito net
6.	P-53M	Plug for aluminium guides PPDM-53
7.	LO 28/12	Bearing for ALU
8.	SPPM L/P	Profile blade slider
9.	OBS-40	Mounting for ø 40 pipe
	OBS-60	Mounting for ø 60 pipe
10.	PZ40/50	Expansion ring
	PZ60/70	Expansion ring
11.	SW 40	Octagonal pipe ø 40
	SW 60	Octagonal pipe ø 60
12.	M-RZ-040	Mosquito net handle in the front mounted roller shutter
13.	M-RZ-200	Mosquito net spring in the front mounted roller shutter
14.	M-RZ-210	Slowing system for mosquito net in the front mounted roller shutter
15.	LDM-41x8 CH	Bottom lath for mosquito net
16.	MOS FI23 1,7	Mosquito net on pipe ø 23 1.7
	MOS FI23 2,6	Mosquito net on pipe ø 23 2.6

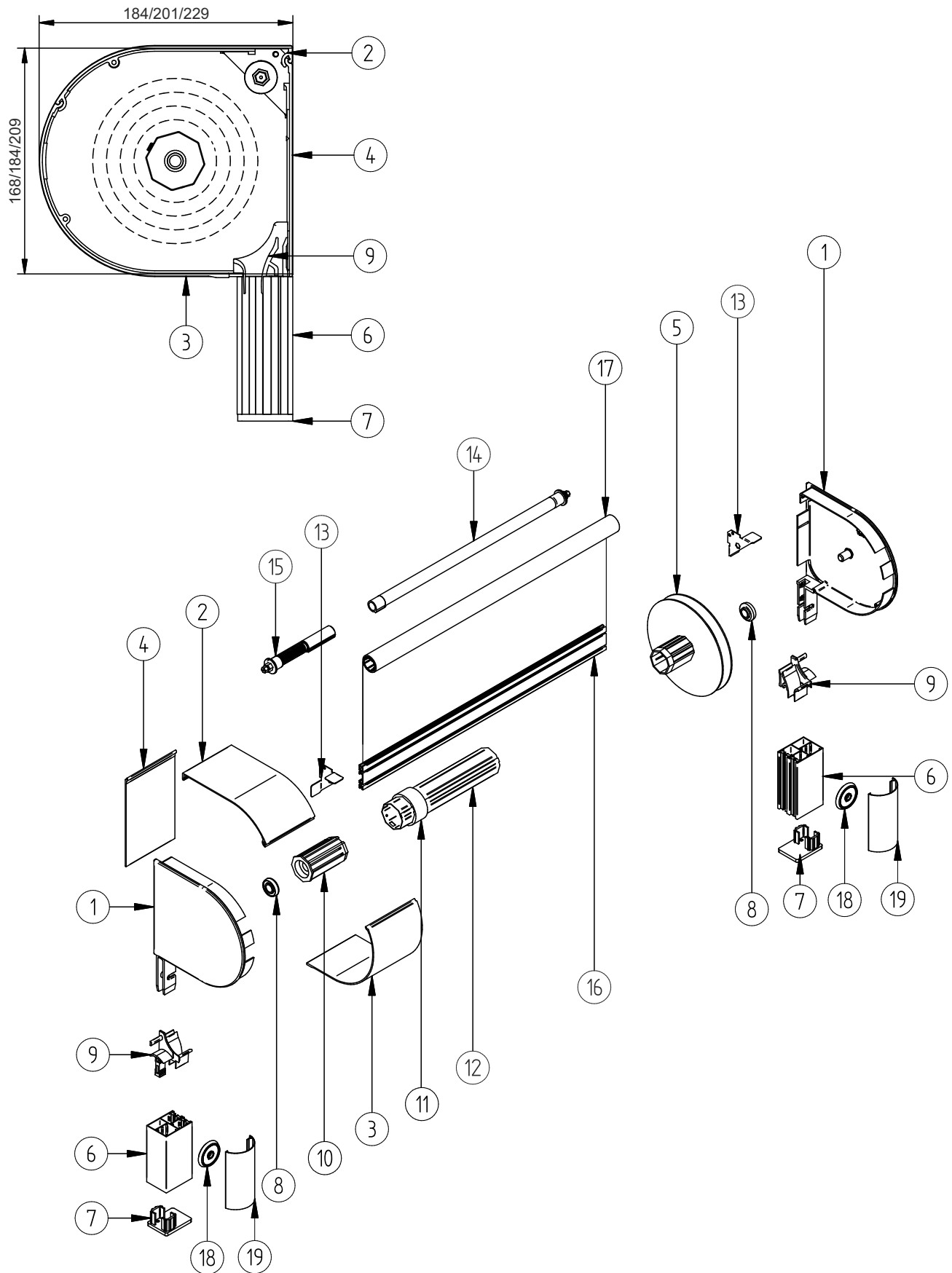
# Components of the OL2000® system Box 137, 165, 180, 205 - cross section and parts list



## OL2000® - cross-section and parts list

1.	BS-137 OS/OL L/R	Box side OL2000 137
	BS-165 OS/OL L/R	Box side OL2000 165
	BS-180 OS/OL L/R	Box side OL2000 180
	BS-205 OS/OL L/R	Box side OL2000 205
2.	SK-OL-137 G	Box OL2000 137 top
	SK-OL-165 G	Box OL2000 165 top
	SK-OL-180 G	Box OL2000 180 top
	SK-OL-205 G	Box OL2000 205 top
3.	SK-OL-137 D	Box OL2000 137 bottom
	SK-OL-165 D	Box OL2000 165 bottom
	SK-OL-180 D	Box OL2000 180 bottom
	SK-OL-205 D	Box OL2000 205 bottom
4.	SK-OL-137 T	Box OL2000 137 back
	SK-OL-165 T	Box OL2000 165 back
	SK-OL-180 T	Box OL2000 180 back
	SK-OL-205 T	Box OL2000 205 back
5.	KNO-40-137	Wheel of the roller for box 137
	KNO-40-165	Wheel of the roller for box 165
	KNO-40-205	Wheel of the roller for boxes 180 and 205
6.	PP-53	Single guide
7.	P-53	Plug for aluminium guides PP-53
8.	LO 28/12	Bearing for ALU
9.	SPP L/P	Profile blade slider
10.	OBS-40	Mounting for ø 40 pipe
	OBS-60	Mounting for ø 60 pipe
11.	PZ40/50	Expansion ring
	PZ60/70	Expansion ring
12.	SW 40	Octagonal pipe ø 40
	SW 60	Octagonal pipe ø 60
13.	PZO 42	Latch plate for semi-circular cap
14.	N/PPDO 53	Guide cap PP-53

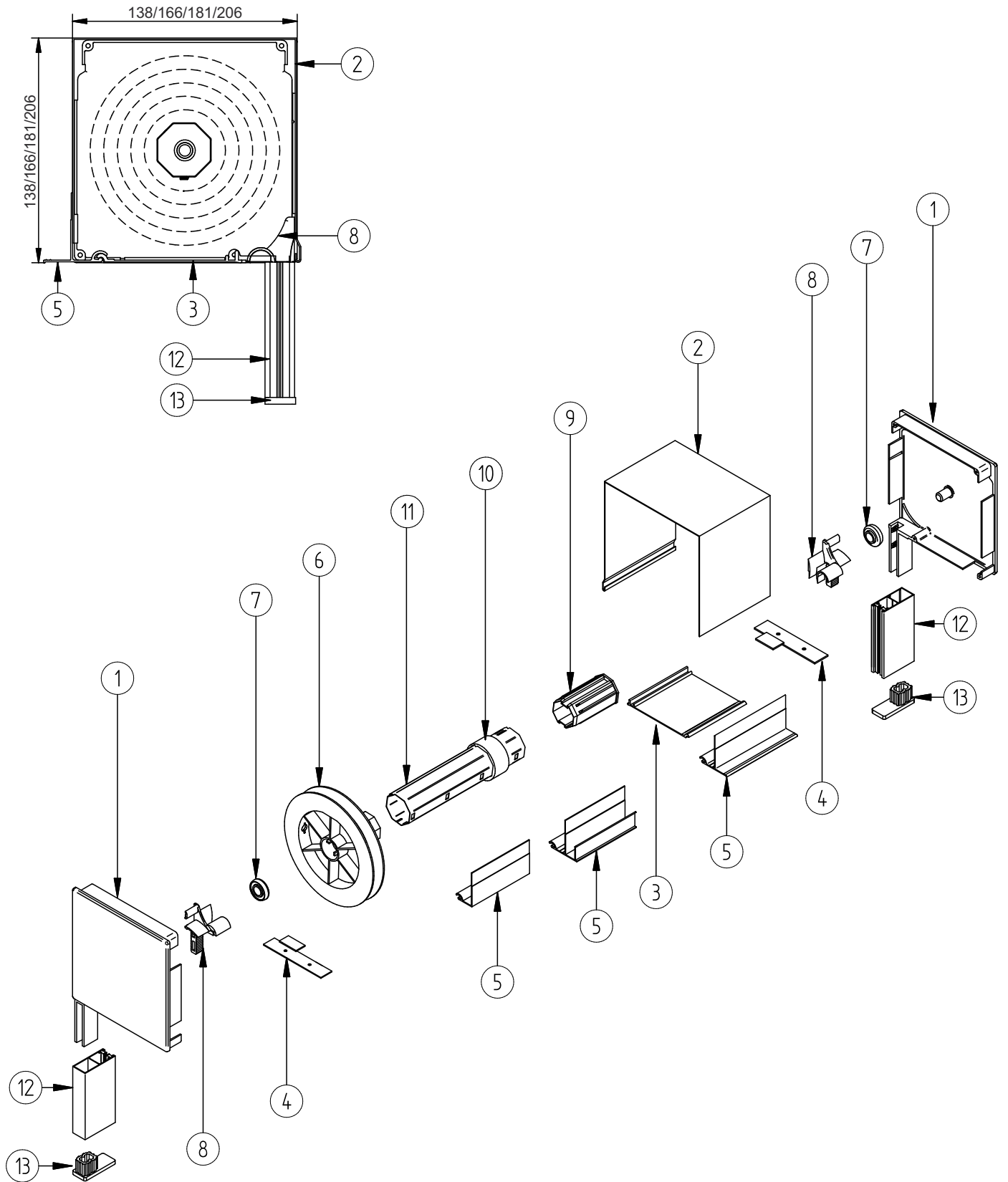
Components of the OL2000<sup>®</sup> system with mosquito net  
 Box 165, 180, 205 - cross section and parts list



## OL2000<sup>®</sup> with mosquito net - cross-section and parts list

1.	BS-165 OS/OL L/R	Box side OL2000 165
	BS-180 OS/OL L/R	Box side OL2000 180
	BS-205 OS/OL L/R	Box side OL2000 205
2.	SK-OL-165 G	Box OL2000 165 top
	SK-OL-180 G	Box OL2000 180 top
	SK-OL-205 G	Box OL2000 205 top
3.	SK-OL-165 DM	Box OL2000 165 bottom for mosquito net
	SK-OL-180 DM	Box OL2000 180 bottom for mosquito net
	SK-OL-205 DM	Box OL2000 205 bottom for mosquito net
4.	SK-OL-165 T	Box OL2000 165 back
	SK-OL-180 T	Box OL2000 180 back
	SK-OL-205 T	Box OL2000 205 back
5.	KNO-40-165	Wheel of the roller for box 165
	KNO-40-205	Wheel of the roller for boxes 180 and 205
6.	PPDM-53	ALU double guide for mosquito net
7.	P-53M	Plug for aluminium guides PPDM-53
8.	LO 28/12	Bearing for ALU
9.	SPPM L/P	Profile blade slider
10.	OBS-40	Mounting for $\varnothing$ 40 pipe
	OBS-60	Mounting for $\varnothing$ 60 pipe
11.	PZ40/50	Expansion ring
	PZ60/70	Expansion ring
12.	SW 40	Octagonal pipe $\varnothing$ 40
	SW 60	Octagonal pipe $\varnothing$ 60
13.	M-RZ-040	Mosquito net handle in the front mounted roller shutter
14.	M-RZ-200	Mosquito net spring in the front mounted roller shutter
15.	M-RZ-210	Slowing system for mosquito net in the front mounted roller shutter
16.	LDM-41x8 CH	Bottom lath for mosquito net
17.	MOS FI23 1,7	Mosquito net on the pipe $\varnothing$ 23 1.7
	MOS FI23 2,6	Mosquito net on the pipe $\varnothing$ 23 2.6
18.	PZO 42	Latch plate for semi-circular cap
19.	N/PPDO 53	Guide cap PP-53

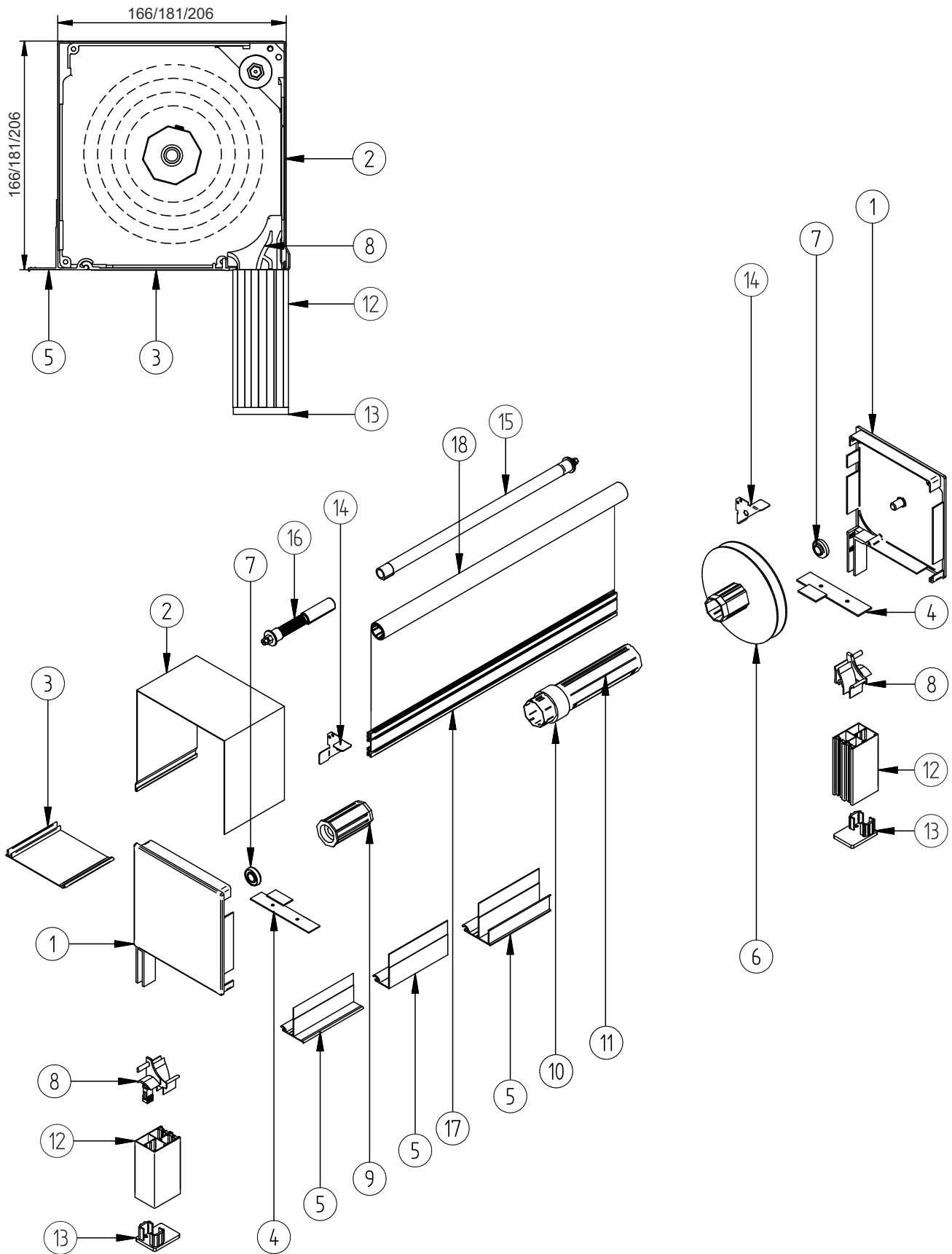
Components of the IT2000® system  
Box 137, 165, 180, 205 - cross section and parts list



## IT2000® - cross-section and parts list

1.	BS-137 IT2000 L/R	Box side IT2000 137
	BS-165 IT2000 L/R	Box side IT2000 165
	BS-180 IT2000 L/R	Box side IT2000 180
	BS-205 IT2000 L/R	Box side IT2000 205
2.	SK-137G IT2000	Box IT2000 137 top
	SK-165G IT2000	Box IT2000 165 top
	SK-180G IT2000	Box IT2000 180 top
	SK-205G IT2000	Box IT2000 205 top
3.	KR 137 IT2000	Inspection cover IT2000 137
	KR 165 IT2000	Inspection cover IT2000 165
	KR 180 IT2000	Inspection cover IT2000 180
	KR 205 IT2000	Inspection cover IT2000 205
4.	L.DYS-137 L/R	Spacer strips 137
	L.DYS-165 L/R	Spacer strips 165
	L.DYS-180 L/R	Spacer strips 180
	L.DYS-205 L/R	Spacer strips 205
5.	LT-20	Concealed lath 20 mm
	LT-19	Concealed lath 19 mm
	LT ZERO	Concealed lath zero
6.	KNO-40-137	Wheel of the roller for box 137
	KNO-40-165	Wheel of the roller for box 165
	KNO-40-205	Wheel of the roller for boxes 180 and 205
7.	LO 28/12	Bearing for ALU
8.	SPP L/P	Profile blade slider
9.	OBS-40	Mounting for ø 40 pipe
	OBS-60	Mounting for ø 60 pipe
10.	PZ40/50	Expansion ring
	PZ60/70	Expansion ring
11.	SW 40	Octagonal pipe ø 40
	SW 60	Octagonal pipe ø 60
12.	PP-53	Single guide
13.	P-53	Plug for aluminium guides PP-53

Components of the IT2000<sup>®</sup> system with mosquito net  
 Box 137, 165, 180, 205 - cross section and parts list

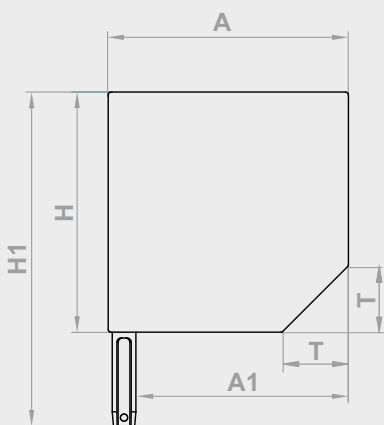
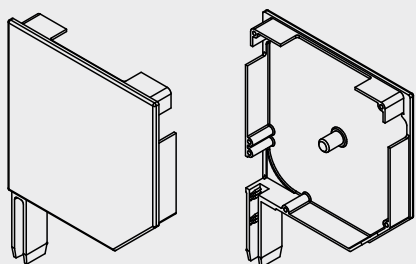




## IT2000® with mosquito net - cross-section and parts list

1.	BS-165 IT2000 L/P	Box side IT2000 165
	BS-180 IT2000 L/P	Box side IT2000 180
	BS-205 IT2000 L/P	Box side IT2000 205
2.	SK-165G IT2000	Box IT2000 165 top
	SK-180G IT2000	Box IT2000 180 top
	SK-205G IT2000	Box IT2000 205 top
3.	KR 165 IT2000	Inspection cover IT2000 165
	KR 180 IT2000	Inspection cover IT2000 180
	KR 205 IT2000	Inspection cover IT2000 205
4.	L.DYS-165 L/P	Spacer strips 165
	L.DYS-180 L/P	Spacer strips 180
	L.DYS-205 L/P	Spacer strips 205
5.	LT-20	Concealed lath 20 mm
	LT-19	Concealed lath 19 mm
	LT ZERO	Concealed lath zero
6.	KNO-40-165	Wheel of the roller for box 165
	KNO-40-205	Wheel of the roller for boxes 180 and 205
7.	LO 28/12	Bearing for ALU
8.	SPPM L/P	Profile blade slider
9.	OBS-40	Mounting for ø 40 pipe
	OBS-60	Mounting for ø 60 pipe
10.	PZ40/50	Expansion ring
	PZ60/70	Expansion ring
11.	SW 40	Octagonal pipe ø 40
	SW 60	Octagonal pipe ø 60
12.	PPDM-53	ALU double guide for mosquito net
13.	P-53M	Plug for aluminium guides PPDM-53
14.	M-RZ-040	Mosquito net handle in the front mounted roller shutter
15.	M-RZ-200	Mosquito net spring in the front mounted roller shutter
16.	M-RZ-210	Slowing system for mosquito net in the front mounted roller shutter
17.	LDM-41x8 CH	Bottom lath for mosquito net
18.	MOS FI23 1,7	Mosquito net on the pipe ø 23 1.7
	MOS FI23 2,6	Mosquito net on the pipe ø 23 2.6

# Components for front mounted roller shutter system Sides

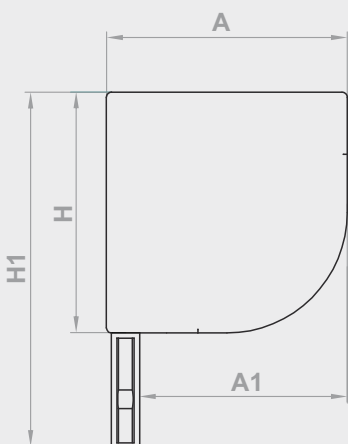
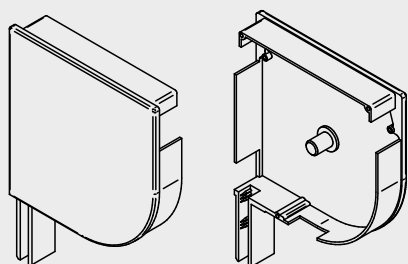
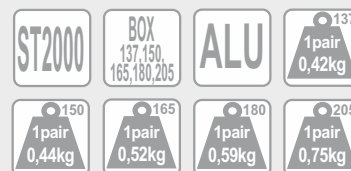


## BS L/R

Side of the ST2000® system roller shutter.

	A (mm)	A1 (mm)	H (mm)	H1 (mm)	T (mm)
BS/137/XX	138	119	138	203	38
BS/150/XX	151	132	151	216	41
BS/165/XX	166	147	166	231	47
BS/180/XX	181	162	181	246	51
BS/205/XX	206	187	206	271	57

Index/color (XX)	Index/color (XX)																					
	01 - silver	02 - white	03 - gray	04 - dark beige	05 - light beige	07 - light gray	08 - dark brown	09 - light brown	13 - green	15 - cream white	16 - ivory	19 - maroon	20 - black	22 - mahogany	23 - anthracite	26 - steel olive	27 - basalt gray	30 - nut	34 - bog oak	48 - golden oak	54 - winchester	
BS/137/XX	X	X	X	X	X	X	X	X	X	X	X	X	X	X	X	X	X	X	X	X	X	
BS/150/XX	X	X	X	X	X	X	X	X	X	X	X	X	X	X	X	X	X	X	X	X	X	
BS/165/XX	X	X	X	X	X	X	X	X	X	X	X	X	X	X	X	X	X	X	X	X	X	
BS/180/XX	X	X	X	X	X	X	X	X	X	X	X	X	X	X	X	X	X	X	X	X	X	
BS/205/XX	X	X	X	X	X	X	X	X	X	X	X	X	X	X	X	X	X	X	X	X	X	

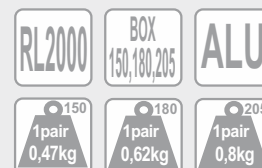


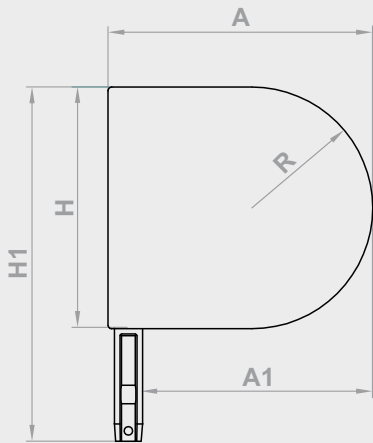
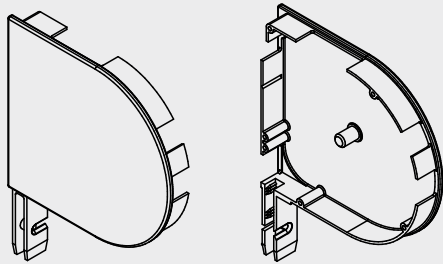
## BS RL2000 L/R

Side of the RL2000® system roller shutter.

	A (mm)	A1 (mm)	H (mm)	H1 (mm)
BS/150/RL2000/XX	150	133	150	221
BS/180/RL2000/XX	180	161	181	242
BS/205/RL2000/XX	205	186	206	277

Index/color (XX)	Index/color (XX)																					
	01 - silver	02 - white	03 - gray	04 - dark beige	05 - light beige	07 - light gray	08 - dark brown	09 - light brown	13 - green	15 - cream white	16 - ivory	19 - maroon	20 - black	22 - mahogany	23 - anthracite	26 - steel olive	27 - basalt gray	30 - nut	34 - bog oak	48 - golden oak	54 - winchester	
BS/150/RL2000/XX	X	X	X	X	X	X	X	X	X	X	X	X	X	X	X	X	X	X	X	X	X	
BS/180/RL2000/XX	X	X	X	X	X	X	X	X	X	X	X	X	X	X	X	X	X	X	X	X	X	
BS/205/RL2000/XX	X	X	X	X	X	X	X	X	X	X	X	X	X	X	X	X	X	X	X	X	X	



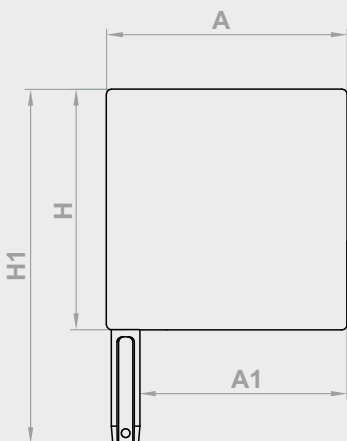
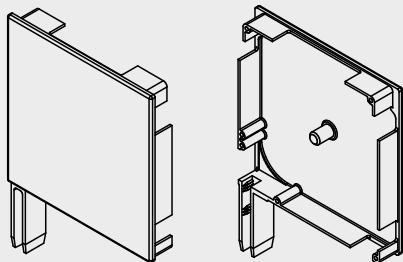


### BS OS/OL L/R

Side of the OS2000®, OL2000® system roller shutter.

	A (mm)	A1 (mm)	H (mm)	H1 (mm)	R (mm)
BS/137/OS/OL/XX	153	133	140	204	70
BS/165/OS/OL/XX	184	164	168	233	84
BS/180/OS/OL/XX	201	181	184	249	92
BS/205/OS/OL/XX	229	209	209	274	104

Index/color (XX)																						
	01 - silver	02 - white	03 - gray	04 - dark beige	05 - light beige	07 - light gray	08 - dark brown	09 - light brown	13 - green	15 - cream white	16 - ivory	19 - maroon	20 - black	22 - mahogany	23 - anthracite	26 - steel olive	27 - basalt gray	30 - nut	34 - bog oak	48 - golden oak	54 - winchester	
BS/137/OS/OL/XX	x	x	x	x	x	x	x	x	x	x	x	x	x	x	x	x	x					
BS/165/OS/OL/XX	x	x	x	x	x	x	x	x	x	x	x	x	x	x	x	x	x					
BS/180/OS/OL/XX	x	x	x	x	x	x	x	x	x	x	x	x	x	x	x	x	x					
BS/205/OS/OL/XX	x	x	x	x	x	x	x	x	x	x	x	x	x	x	x	x	x					

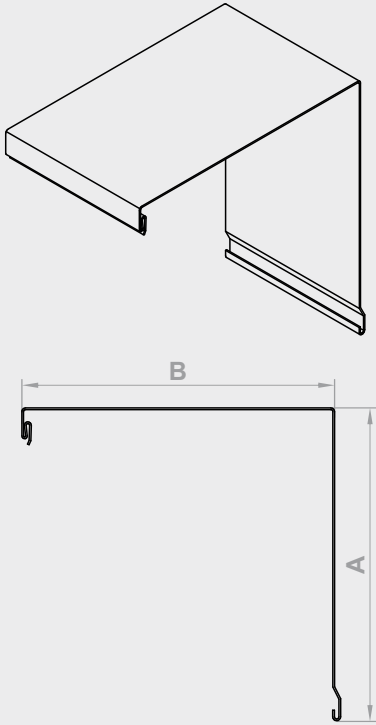


### BS IT2000 L/R

Side of the IT2000® system roller shutter - unvarnished.

	A (mm)	A1 (mm)	H (mm)	H1 (mm)
BS-137-00 IT2000	138	119	138	203
BS-165-00 IT2000	166	147	166	231
BS-180-00 IT2000	181	162	181	246
BS-205-00 IT2000	206	187	206	271



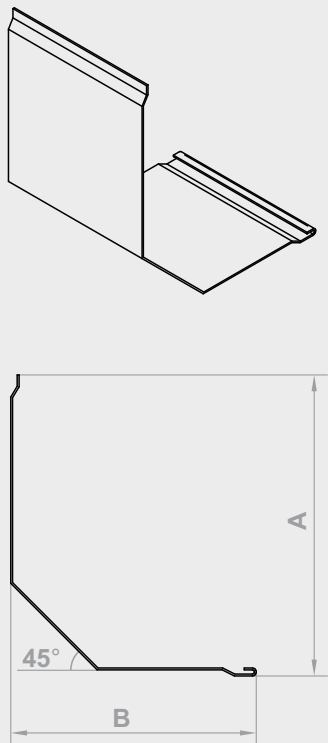
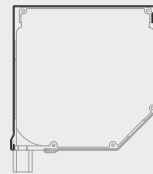


## SK-G

Aluminium box ST2000®, RL2000® - top.

	A (mm)	B (mm)
SK-137G/XX	137,5	137,5
SK-150G/XX	150,5	150,5
SK-165G/XX	165,5	165,5
SK-180G/XX	180,5	180,5
SK-205G/XX	205,5	205,5

Index/color (XX)	Index/color (XX)																					
	01 - silver	02 - white	03 - gray	04 - dark beige	05 - light beige	07 - light gray	08 - dark brown	09 - light brown	13 - green	15 - cream white	16 - ivory	19 - maroon	20 - black	22 - mahogany	23 - anthracite	26 - steel olive	27 - basalt gray	30 - nut	34 - bog oak	48 - golden oak	54 - winchester	
SK-137G/XX	X	X	X	X	X	X	X	X	X	X	X	X	X	X	X	X	X	X	X	X	X	
SK-150G/XX	X	X	X	X	X	X	X	X	X	X	X	X	X	X	X	X	X	X	X	X	X	
SK-165G/XX	X	X	X	X	X	X	X	X	X	X	X	X	X	X	X	X	X	X	X	X	X	
SK-180G/XX	X	X	X	X	X	X	X	X	X	X	X	X	X	X	X	X	X	X	X	X	X	
SK-205G/XX	X	X	X	X	X	X	X	X	X	X	X	X	X	X	X	X	X	X	X	X	X	

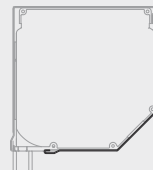


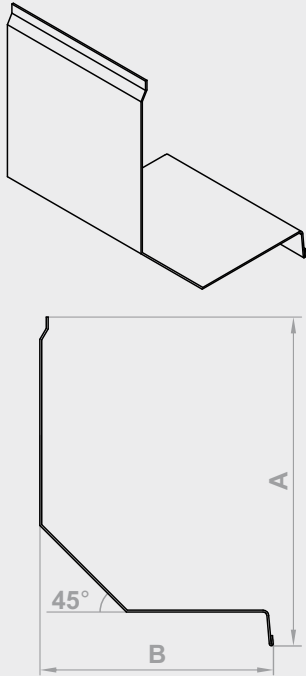
## SK-D

Aluminium box ST2000® - bottom.

	A (mm)	B (mm)
SK-137D/XX	127	104
SK-150D/XX	140	114
SK-165D/XX	155	130
SK-180D/XX	170	144
SK-205D/XX	195	170

Index/color (XX)	Index/color (XX)																				
	01 - silver	02 - white	03 - gray	04 - dark beige	05 - light beige	07 - light gray	08 - dark brown	09 - light brown	13 - green	15 - cream white	16 - ivory	19 - maroon	20 - black	22 - mahogany	23 - anthracite	26 - steel olive	27 - basalt gray	30 - nut	34 - bog oak	48 - golden oak	54 - winchester
SK-137D/XX	X	X	X	X	X	X	X	X	X	X	X	X	X	X	X	X	X	X	X	X	X
SK-150D/XX	X	X	X	X	X	X	X	X	X	X	X	X	X	X	X	X	X	X	X	X	X
SK-165D/XX	X	X	X	X	X	X	X	X	X	X	X	X	X	X	X	X	X	X	X	X	X
SK-180D/XX	X	X	X	X	X	X	X	X	X	X	X	X	X	X	X	X	X	X	X	X	X
SK-205D/XX	X	X	X	X	X	X	X	X	X	X	X	X	X	X	X	X	X	X	X	X	X



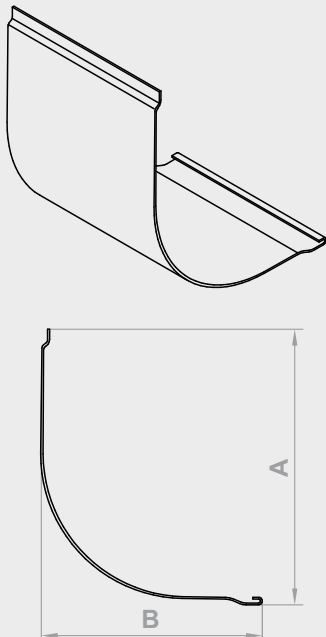
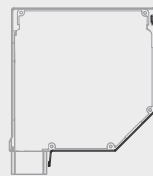


### SK-DM

Aluminium box ST2000® - bottom for mosquito net.

	A (mm)	B (mm)
SK-150DM/XX	156	113
SK-165DM/XX	171	129
SK-180DM/XX	186	142
SK-205DM/XX	211	169

Index/color (XX)	Index/color (XX)																					
	01 - silver	02 - white	03 - gray	04 - dark beige	05 - light beige	07 - light gray	08 - dark brown	09 - light brown	13 - green	15 - cream white	16 - ivory	19 - maroon	20 - black	22 - mahogany	23 - anthracite	26 - steel olive	27 - basalt gray	30 - nut	34 - bog oak	48 - golden oak	54 - winchester	
SK-150DM/XX	x	x	x	x	x	x	x	x	x	x	x	x	x	x	x	x	x					
SK-165DM/XX	x	x	x	x	x	x	x	x	x	x	x	x	x	x	x	x	x					x
SK-180DM/XX	x	x	x	x	x	x	x	x	x	x	x	x	x	x	x	x	x					
SK-205DM/XX	x	x	x	x	x	x	x	x	x	x	x	x	x	x	x	x	x					x

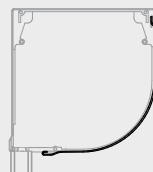


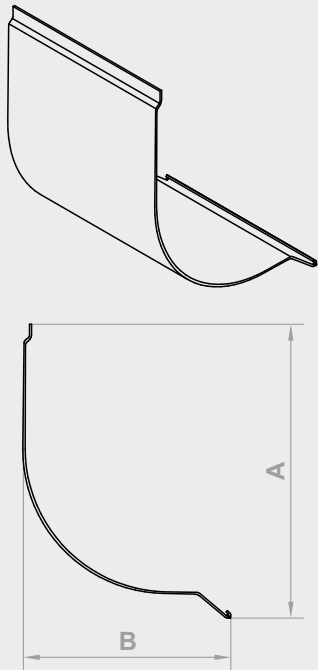
### SK-D RL2000

Aluminium box RL2000® - bottom.

	A (mm)	B (mm)
SK-150D/XX RL2000	140,0	115,0
SK-180D/XX RL2000	171,0	145,0
SK-205D/XX RL2000	196,0	172,0

Index/color (XX)	Index/color (XX)																					
	01 - silver	02 - white	03 - gray	04 - dark beige	05 - light beige	07 - light gray	08 - dark brown	09 - light brown	13 - green	15 - cream white	16 - ivory	19 - maroon	20 - black	22 - mahogany	23 - anthracite	26 - steel olive	27 - basalt gray	30 - nut	34 - bog oak	48 - golden oak	54 - winchester	
SK-150D/XX RL2000	x	x	x	x	x	x	x	x	x	x	x	x	x	x	x	x	x					
SK-180D/XX RL2000	x	x	x	x	x	x	x	x	x	x	x	x	x	x	x	x	x					
SK-205D/XX RL2000	x	x	x	x	x	x	x	x	x	x	x	x	x	x	x	x	x					



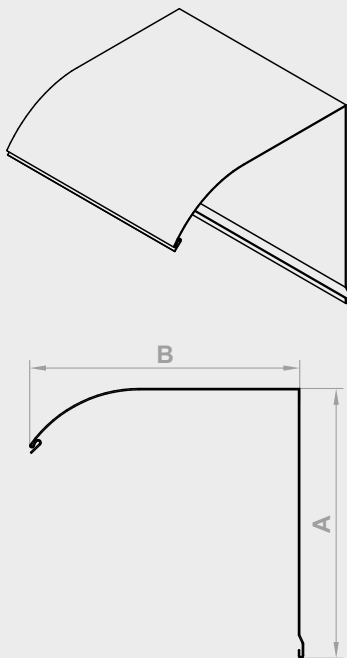
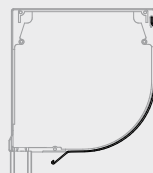


### SK-DM RL2000

Aluminium box RL2000® - bottom for mosquito net.

	A (mm)	B (mm)
SK-150DM/XX RL2000	161	104
SK-180DM/XX RL2000	191	136
SK-205DM/XX RL2000	219	164

Index/color (XX)	Index/color (XX)																					
	01 - silver	02 - white	03 - gray	04 - dark beige	05 - light beige	07 - light gray	08 - dark brown	09 - light brown	13 - green	15 - cream white	16 - ivory	19 - maroon	20 - black	22 - mahogany	23 - anthracite	26 - steel olive	27 - basalt gray	30 - nut	34 - bog oak	48 - golden oak	54 - winchester	
SK-150DM/XX RL2000	x	x	x	x	x	x	x	x	x	x	x	x	x	x	x	x	x					
SK-180DM/XX RL2000	x	x	x	x	x	x	x	x	x	x	x	x	x	x	x	x	x					
SK-205DM/XX RL2000	x	x	x	x	x	x	x	x	x	x	x	x	x	x	x	x	x					

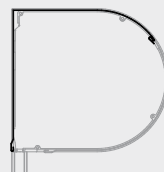


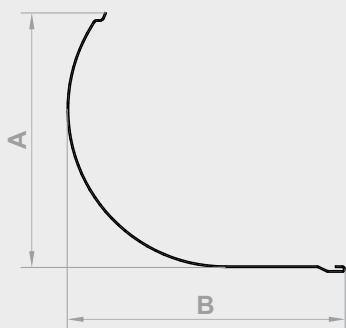
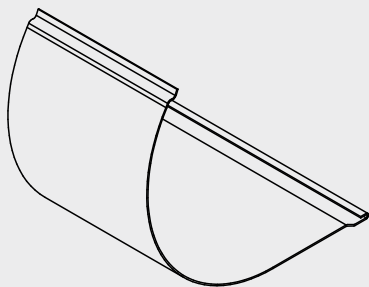
### SK-OS-G

Aluminium box OS2000® - top.

	A (mm)	B (mm)
SK-OS-137G/XX	138,0	141,0
SK-OS-165G/XX	166,0	168,0
SK-OS-180G/XX	181,0	182,0
SK-OS-205G/XX	206,0	206,0

Index/color (XX)	Index/color (XX)																					
	01 - silver	02 - white	03 - gray	04 - dark beige	05 - light beige	07 - light gray	08 - dark brown	09 - light brown	13 - green	15 - cream white	16 - ivory	19 - maroon	20 - black	22 - mahogany	23 - anthracite	26 - steel olive	27 - basalt gray	30 - nut	34 - bog oak	48 - golden oak	54 - winchester	
SK-OS-137G/XX	x	x	x	x	x	x	x	x	x	x	x	x	x	x	x	x	x					
SK-OS-165G/XX	x	x	x	x	x	x	x	x	x	x	x	x	x	x	x	x	x					
SK-OS-180G/XX	x	x	x	x	x	x	x	x	x	x	x	x	x	x	x	x	x					
SK-OS-205G/XX	x	x	x	x	x	x	x	x	x	x	x	x	x	x	x	x	x					



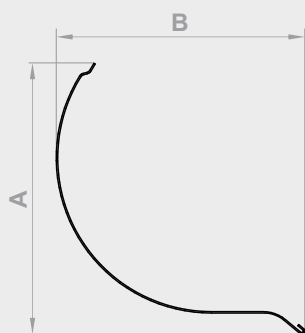
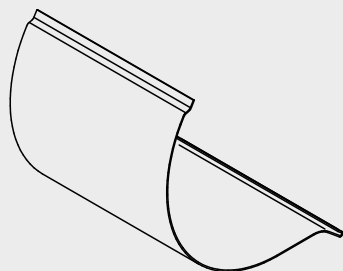
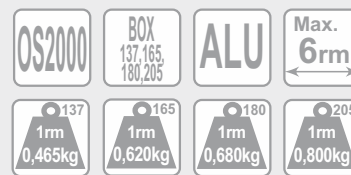
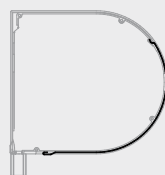


### SK-OS-D

Aluminium box OS2000® - bottom.

	A (mm)	B (mm)
SK-OS-137D/XX	111,0	106,0
SK-OS-165D/XX	132,0	135,0
SK-OS-180D/XX	144,0	152,0
SK-OS-205D/XX	165,0	180,0

Index/color (XX)	Index/color (XX)																					
	01 - silver	02 - white	03 - gray	04 - dark beige	05 - light beige	07 - light gray	08 - dark brown	09 - light brown	13 - green	15 - cream white	16 - ivory	19 - maroon	20 - black	22 - mahogany	23 - anthracite	26 - steel olive	27 - basalt gray	30 - nut	34 - bog oak	48 - golden oak	54 - winchester	
SK-OS-137D/XX	X	X	X	X	X	X	X	X	X	X	X	X	X	X	X	X	X					
SK-OS-165D/XX	X	X	X	X	X	X	X	X	X	X	X	X	X	X	X	X	X					
SK-OS-180D/XX	X	X	X	X	X	X	X	X	X	X	X	X	X	X	X	X	X					
SK-OS-205D/XX	X	X	X	X	X	X	X	X	X	X	X	X	X	X	X	X	X					

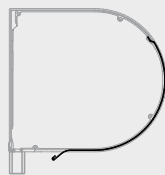


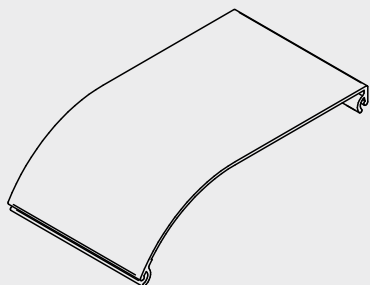
### SK-OS-DM

Aluminium box OS2000® - bottom for mosquito net.

	A (mm)	B (mm)
SK-OS-165DM/XX	166	130
SK-OS-180DM/XX	179	155
SK-OS-205DM/XX	201	158

Index/kolor (XX)	Index/kolor (XX)																					
	01 - silver	02 - white	03 - gray	04 - dark beige	05 - light beige	07 - light gray	08 - dark brown	09 - light brown	13 - green	15 - cream white	16 - ivory	19 - maroon	20 - black	22 - mahogany	23 - anthracite	26 - steel olive	27 - basalt gray	30 - nut	34 - bog oak	48 - golden oak	54 - winchester	
SK-OS-165DM/XX	X	X	X	X	X	X	X	X	X	X	X	X	X	X	X	X	X					
SK-OS-180DM/XX	X	X	X	X	X	X	X	X	X	X	X	X	X	X	X	X	X					
SK-OS-205DM/XX	X	X	X	X	X	X	X	X	X	X	X	X	X	X	X	X	X					



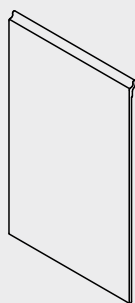
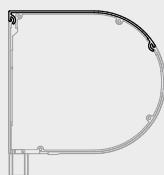


## SK-OL G

Extruded box OL2000® - top.

	A (mm)	B (mm)
SK-OL-137/XX G	43,0	144,0
SK-OL-165/XX G	47,0	172,0
SK-OL-180/XX G	51,0	187,0
SK-OL-205/XX G	55,0	210,0

Index/color (XX)	Index/color (XX)																					
	01 - silver	02 - white	03 - gray	04 - dark beige	05 - light beige	07 - light gray	08 - dark brown	09 - light brown	13 - green	15 - cream white	16 - ivory	19 - maroon	20 - black	22 - mahogany	23 - anthracite	26 - steel olive	27 - basalt gray	30 - nut	34 - bog oak	48 - golden oak	54 - winchester	
SK-OL-137/XX G	X	X	X	X	X	X	X	X	X	X	X	X	X	X	X	X	X					
SK-OL-165/XX G	X	X	X	X	X	X	X	X	X	X	X	X	X	X	X	X	X					
SK-OL-180/XX G	X	X	X	X	X	X	X	X	X	X	X	X	X	X	X	X	X					
SK-OL-205/XX G	X	X	X	X	X	X	X	X	X	X	X	X	X	X	X	X	X					

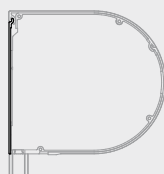


## SK-OL T

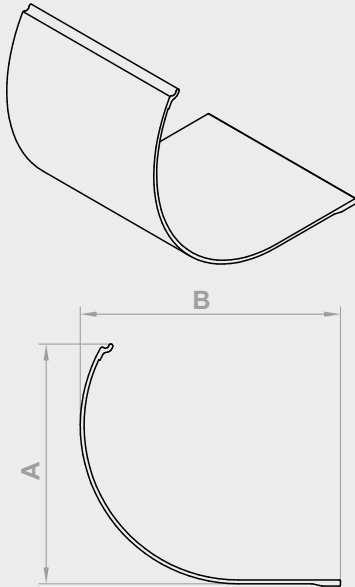
Extruded box OL2000® - back.

	A (mm)
SK-OL-137/XX T	131,0
SK-OL-165/XX T	159,0
SK-OL-180/XX T	175,0
SK-OL-205/XX T	200,0

Index/color (XX)	Index/color (XX)																					
	01 - silver	02 - white	03 - gray	04 - dark beige	05 - light beige	07 - light gray	08 - dark brown	09 - light brown	13 - green	15 - cream white	16 - ivory	19 - maroon	20 - black	22 - mahogany	23 - anthracite	26 - steel olive	27 - basalt gray	30 - nut	34 - bog oak	48 - golden oak	54 - winchester	
SK-OL-137/XX T	X	X	X	X	X	X	X	X	X	X	X	X	X	X	X	X	X					
SK-OL-165/XX T	X	X	X	X	X	X	X	X	X	X	X	X	X	X	X	X	X					
SK-OL-180/XX T	X	X	X	X	X	X	X	X	X	X	X	X	X	X	X	X	X					
SK-OL-205/XX T	X	X	X	X	X	X	X	X	X	X	X	X	X	X	X	X	X					





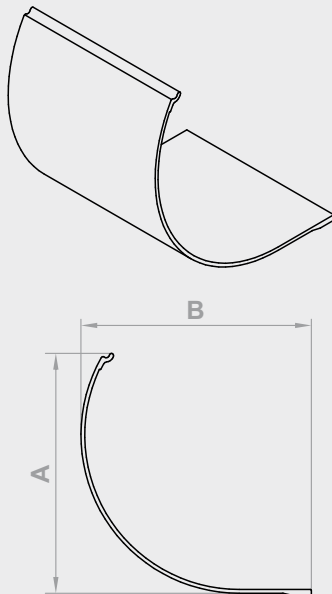
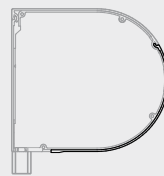


### SK-OL D

Extruded box OL2000® - bottom.

	A (mm)	B (mm)
SK-OL-137/XX D	104,0	107,0
SK-OL-165/XX D	129,0	138,0
SK-OL-180/XX D	141,0	154,0
SK-OL-205/XX D	162,0	182,0

Index/color (XX)	Index/color (XX)																					
	01 - silver	02 - white	03 - gray	04 - dark beige	05 - light beige	07 - light gray	08 - dark brown	09 - light brown	13 - green	15 - cream white	16 - ivory	19 - maroon	20 - black	22 - mahogany	23 - anthracite	26 - steel olive	27 - basalt gray	30 - nut	34 - bog oak	48 - golden oak	54 - winchester	
SK-OL-137/XX D	X	X	X	X	X	X	X	X	X	X	X	X	X	X	X	X	X					
SK-OL-165/XX D	X	X	X	X	X	X	X	X	X	X	X	X	X	X	X	X	X					
SK-OL-180/XX D	X	X	X	X	X	X	X	X	X	X	X	X	X	X	X	X	X					
SK-OL-205/XX D	X	X	X	X	X	X	X	X	X	X	X	X	X	X	X	X	X					

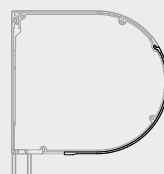


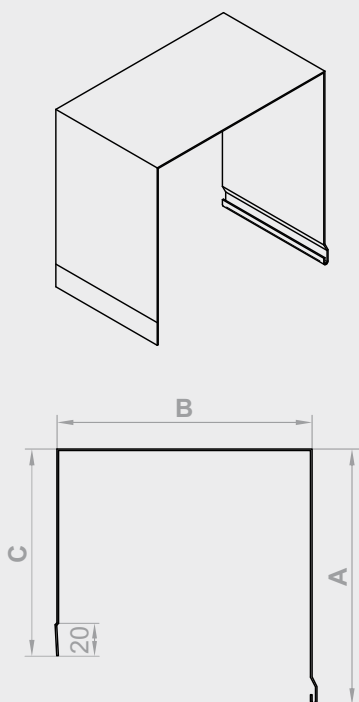
### SK-OL DM

Extruded box OL2000® - bottom for mosquito net.

	A (mm)	B (mm)
SK-OL-165/XX DM	127	122
SK-OL-180/XX DM	140	139
SK-OL-205/XX DM	162	166

Index/kolor (XX)	Index/kolor (XX)																					
	01 - silver	02 - white	03 - gray	04 - dark beige	05 - light beige	07 - light gray	08 - dark brown	09 - light brown	13 - green	15 - cream white	16 - ivory	19 - maroon	20 - black	22 - mahogany	23 - anthracite	26 - steel olive	27 - basalt gray	30 - nut	34 - bog oak	48 - golden oak	54 - winchester	
SK-OL-165/XX DM	X	X	X	X	X	X	X	X	X	X	X	X	X	X	X	X	X					
SK-OL-180/XX DM	X	X	X	X	X	X	X	X	X	X	X	X	X	X	X	X	X					
SK-OL-205/XX DM	X	X	X	X	X	X	X	X	X	X	X	X	X	X	X	X	X					

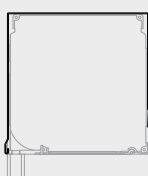




### SK-G IT2000

Aluminium box IT2000®

	A (mm)	B (mm)	C (mm)
SK-137G IT2000	137,0	137,0	107,0
SK-165G IT2000	165,0	165,0	134,0
SK-180G IT2000	180,0	180,0	150,0
SK-205G IT2000	204,0	205,0	174,0



IT2000

BOX  
137,165,  
180,205

ALU

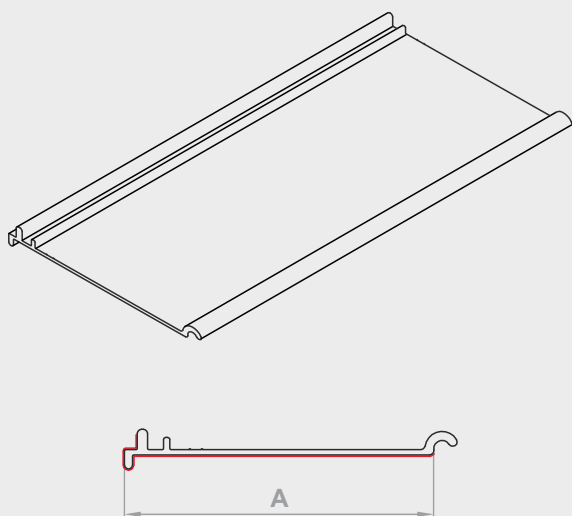
Max.  
6mm

137  
1mm  
0,989kg

165  
1mm  
1,210kg

180  
1mm  
1,375kg

205  
1mm  
1,505kg



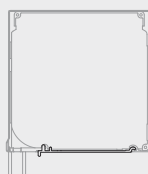
### KR IT2000

Inspection cover IT2000®

	A (mm)
KR 137/XX IT2000	82,0
KR 165/XX IT2000	107,0
KR 180/XX IT2000	122,0
KR 205/XX IT2000	132,0

Index/color (XX)	A (mm)																					
	01 - silver	02 - white	03 - gray	04 - dark beige	05 - light beige	07 - light gray	08 - dark brown	09 - light brown	13 - green	15 - cream white	16 - ivory	19 - maroon	20 - black	22 - mahogany	23 - anthracite	26 - steel olive	27 - basalt gray	30 - nut	34 - bog oak	48 - golden oak	54 - winchester	
KR 137/XX IT2000	x	x	x	x	x	x	x	x	x	x	x	x	x	x	x	x	x					
KR 165/XX IT2000	x	x	x	x	x	x	x	x	x	x	x	x	x	x	x	x	x					
KR 180/XX IT2000	x	x	x	x	x	x	x	x	x	x	x	x	x	x	x	x	x					
KR 205/XX IT2000	x	x	x	x	x	x	x	x	x	x	x	x	x	x	x	x	x					

+ all veneer colors



IT2000

BOX  
137,165,  
180,205

ALU

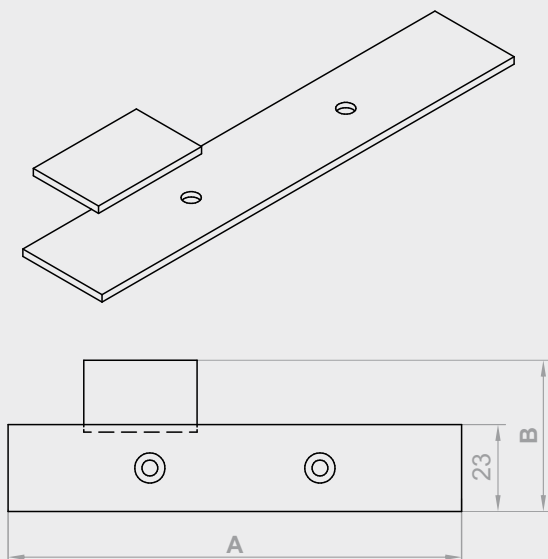
Max.  
6mm

137  
1mm  
0,362kg

165  
1mm  
0,511kg

180  
1mm  
0,584kg

205  
1mm  
0,701kg

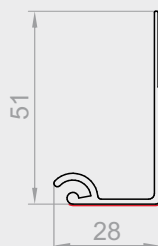
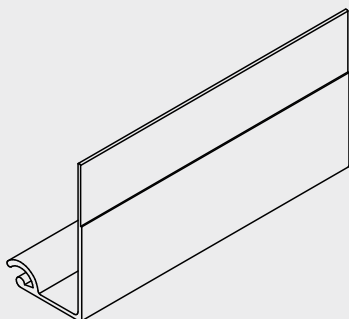
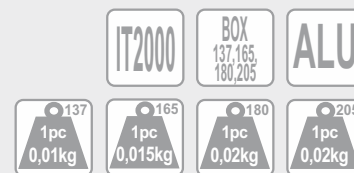


## L.DYST

Spacer strip IT2000®

	A (mm)	B (mm)
L.DYST-137/XX	78,0	40,0
L.DYST-165/XX	105,0	40,0
L.DYST-180/XX	120,0	40,0
L.DYST-205/XX	146,0	40,0

Index/color (XX)	01 - silver	02 - white	03 - gray	04 - dark beige	05 - light beige	07 - light gray	08 - dark brown	09 - light brown	13 - green	15 - cream white	16 - ivory	19 - maroon	20 - black	22 - mahogany	23 - anthracite	26 - steel olive	27 - basalt gray	30 - nut	34 - bog oak	48 - golden oak	54 - winchester	
L.DYST-137/XX	X	X	X	X	X	X	X	X	X	X	X	X	X	X	X	X	X					
L.DYST-165/XX	X	X	X	X	X	X	X	X	X	X	X	X	X	X	X	X	X					
L.DYST-180/XX	X	X	X	X	X	X	X	X	X	X	X	X	X	X	X	X	X					
L.DYST-205/XX	X	X	X	X	X	X	X	X	X	X	X	X	X	X	X	X	X					

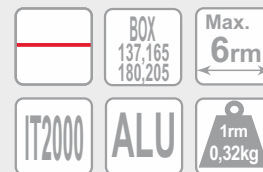
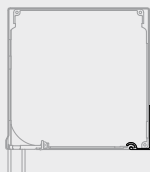


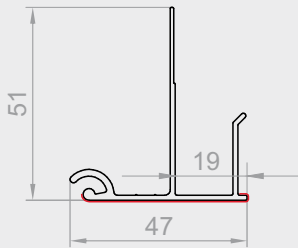
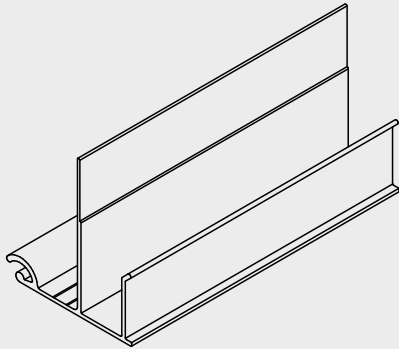
## LT ZERO

Concealed lath for box 137,165,180, 205 for IT2000® system.

Index/color (XX)	01 - silver	02 - white	03 - gray	04 - dark beige	05 - light beige	07 - light gray	08 - dark brown	09 - light brown	13 - green	15 - cream white	16 - ivory	19 - maroon	20 - black	22 - mahogany	23 - anthracite	26 - steel olive	27 - basalt gray	30 - nut	34 - bog oak	48 - golden oak	54 - winchester	
LT ZERO/XX	X	X	X	X	X	X	X	X	X	X	X	X	X	X	X	X	X					

+ wszystkie kolory oklein



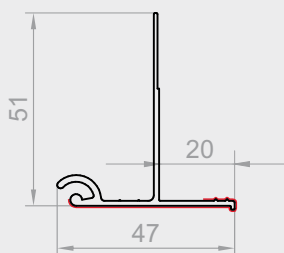
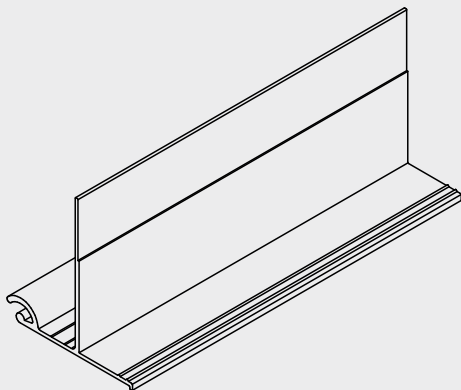
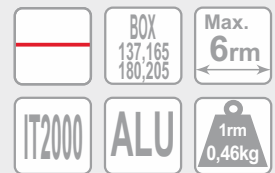
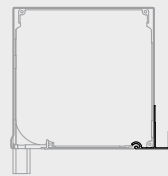


### LT-19 IT2000

Concealed lath for box 137, 165, 180, 205 for IT2000® system.

Index/color (XX)	01 - silver	02 - white	03 - gray	04 - dark beige	05 - light beige	07 - light gray	08 - dark brown	09 - light brown	13 - green	15 - cream white	16 - ivory	19 - maroon	20 - black	22 - mahogany	23 - anthracite	26 - steel olive	27 - basalt gray	30 - nut	34 - bog oak	48 - golden oak	54 - winchester	
LT-19 XX IT2000	X	X	X	X	X	X	X	X	X	X	X	X	X	X	X	X	X					

+ all veneer colors

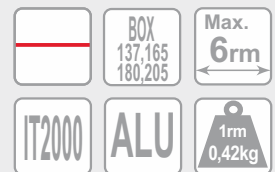
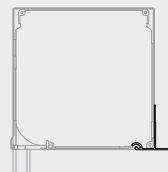


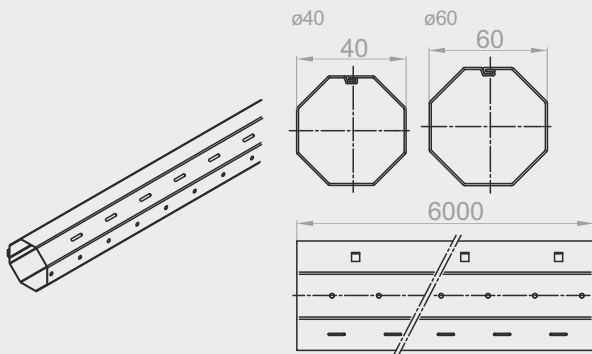
### LT-20

Concealed lath for box 137, 165, 180, 205 for IT2000® system.

Index/kolor (XX)	01 - silver	02 - white	03 - gray	04 - dark beige	05 - light beige	07 - light gray	08 - dark brown	09 - light brown	13 - green	15 - cream white	16 - ivory	19 - maroon	20 - black	22 - mahogany	23 - anthracite	26 - steel olive	27 - basalt gray	30 - nut	34 - bog oak	48 - golden oak	54 - winchester	
LT-20 XX	X	X	X	X	X	X	X	X	X	X	X	X	X	X	X	X	X					

+ all veneer colors



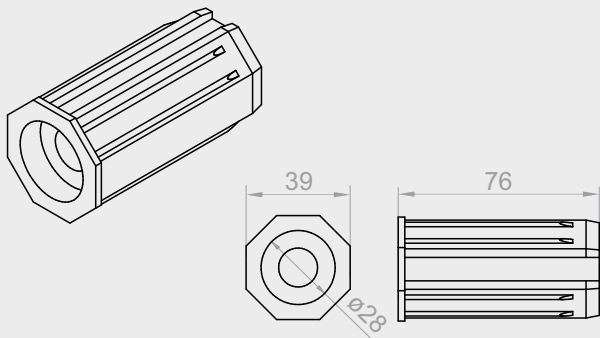
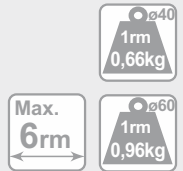


**SW 40**

Octagonal pipe ø40.

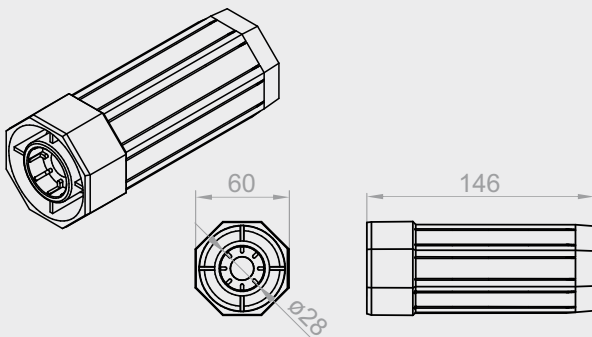
**SW 60**

Octagonal pipe ø60.



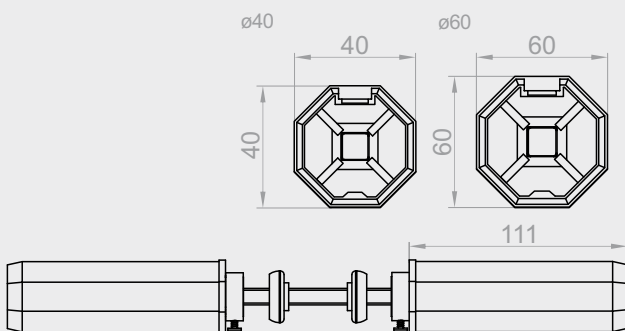
**OBS-40/78**

Mounting 40/78 for aluminium.



**OBS-60**

Mounting 60 for aluminium.



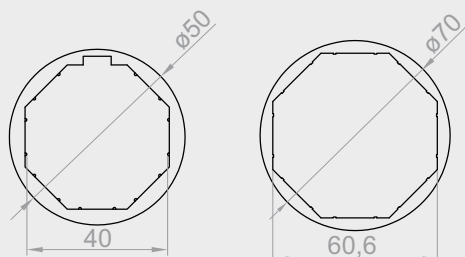
**RKZ 34**

Round bolt for ø40 pipe.  
(to transfer power)

**RKZ 35**

Round bolt for ø60 pipe.  
(to transfer power)



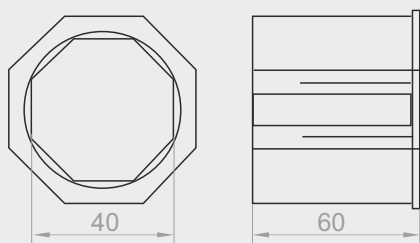


**PZ 40/50**

Expansion ring 40/50.

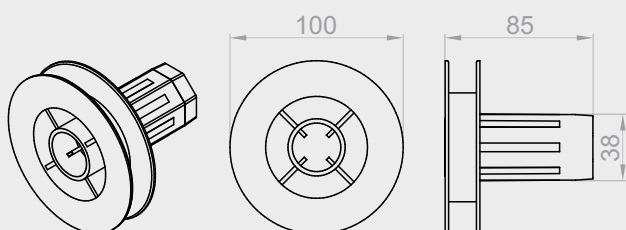
**PZ 60/70**

Expansion ring 60/70.



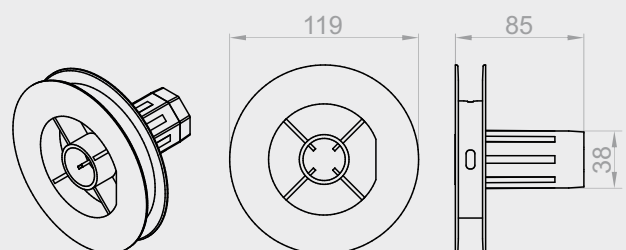
**RED-40-60**

Reduction 40/60.



**KNO-40-125**

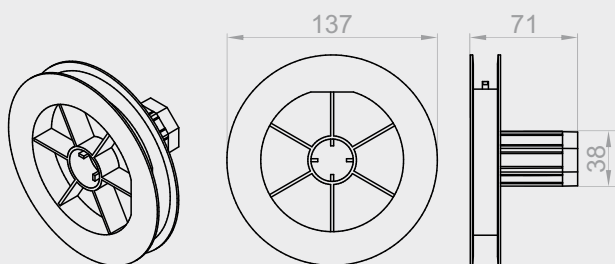
Wheel of the roller with mounting.



**KNO-40-137**

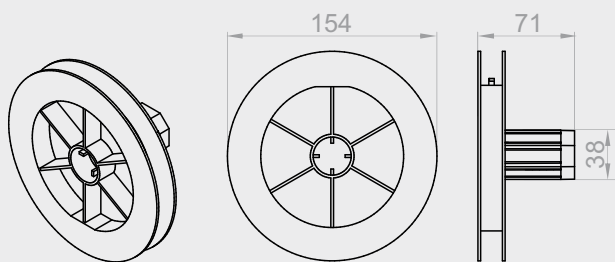
Wheel of the roller with mounting for SK-137.





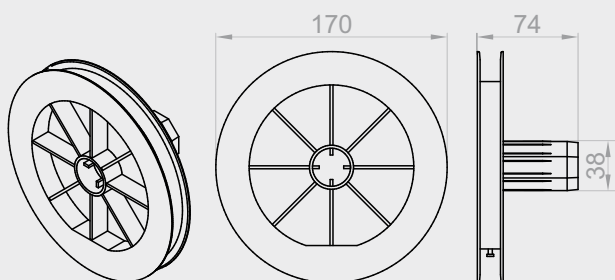
**KNO-40-150**

Wheel of the roller with mounting for SK-150.



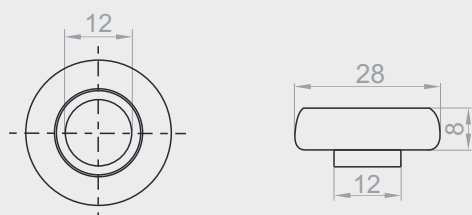
**KNO-40-165**

Wheel of the roller with mounting for SK-165.



**KNO-40-205**

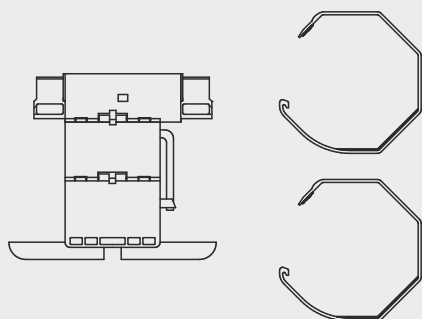
Wheel of the roller with mounting for SK-180 and SK-205.



**LO-28/12**

Bearing for front mounted roller shutter boxes  $\varnothing 60$ .





**WB1 LTP40**

1-piece blocking bracket for  $\varnothing 40$  pipe.

**WB2 LTP40**

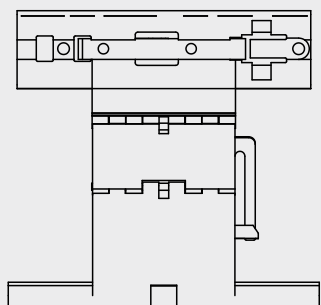
2-piece blocking bracket for  $\varnothing 40$  pipe.

**WB1 LTP60**

1-piece blocking bracket for  $\varnothing 60$  pipe.

**WB2 LTP60**

2-piece blocking bracket for  $\varnothing 60$  pipe.



**WBZ1-40**

1-piece blocking hitch bracket for  $\varnothing 40$  pipe.

**WBZ2-40**

2-piece blocking hitch bracket for  $\varnothing 40$  pipe.

**WBZ1-60**

1-piece blocking hitch bracket for  $\varnothing 60$  pipe.

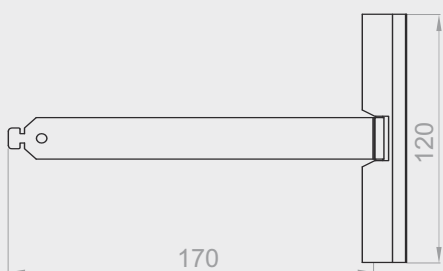
**WBZ2-60**

2-piece blocking hitch bracket for  $\varnothing 60$  pipe.



**WS-37/40-170**

Steel hanger 170.



**WS-37/40-170 S**

Steel hanger 170 (electrically powered roller shutters).

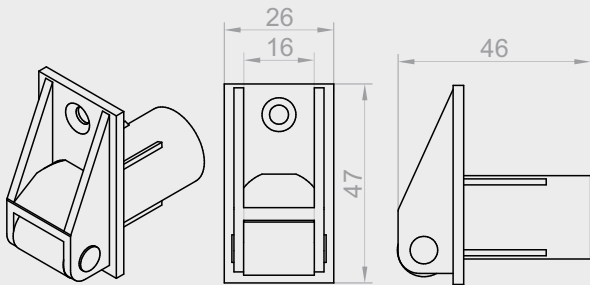






**WS-37/40-170 ALU**

Aluminium hanger.

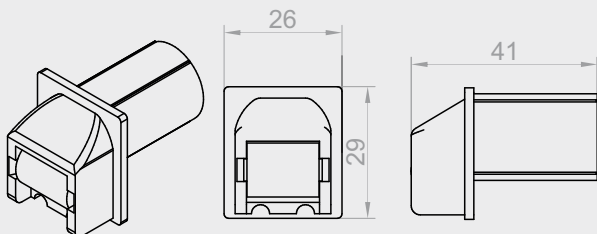


**PTR XX**

Tape guide with pipe.

Available in colors (XX):

02 - white, 08 - dark brown.

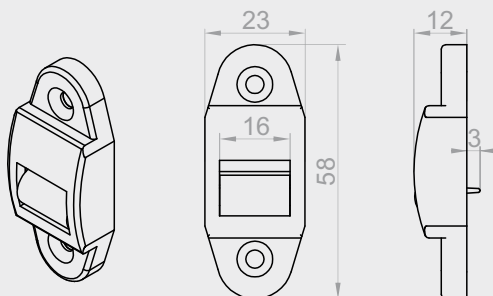


**PTRP-SZ XX**

Tape guide with pipe and brush seal - straight.

Available in colors (XX):

02 - white, 08 - dark brown, 23 - anthracite.



**PT-XX N**

Flat tape guide with brush seal.

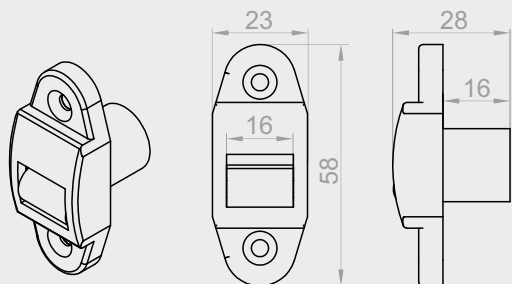
Available in colors (XX):

02 - white, 08 - dark brown.



## Components for front mounted roller shutter system

### Additional components

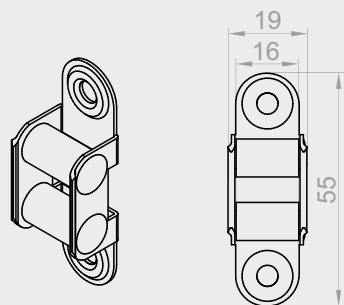


#### **PTR-XX**

Tape guide with pipe and brush seal.

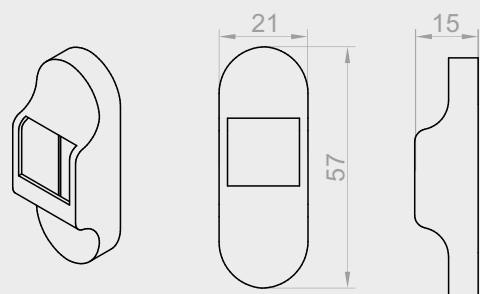
Available in colors (XX):

02 - white, 08 - dark brown, 23 - anthracite.



#### **PTD**

Two-roller tape guide.

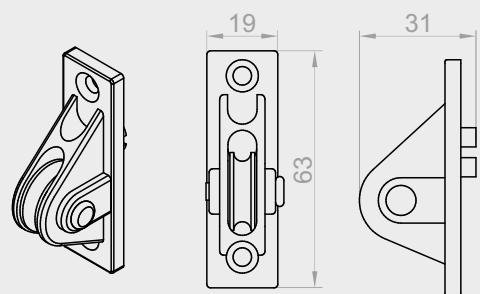


#### **PTD-OPT XX**

Cover for two-roller tape guide.

Available in colors (XX):

02 - white, 08 - dark brown.



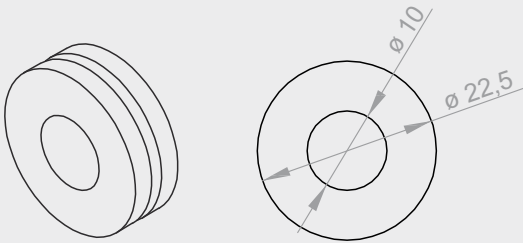
#### **PRS-250-PR XX**

Cord guide.

Available in colors (XX):

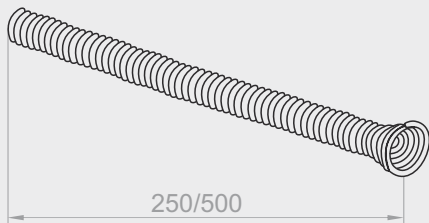
02 - white, 08 - dark brown, 23 - anthracite.





**GWL**

Rubber cord leading out.

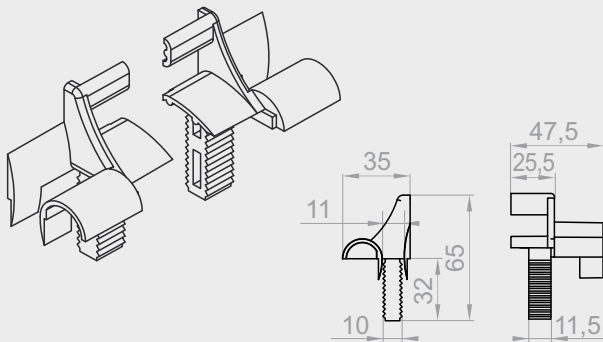


**PRS-250-SPR**

Spring for the cord guide 250 mm.

**PRS-500-SPR**

Spring for the cord guide 500 mm.

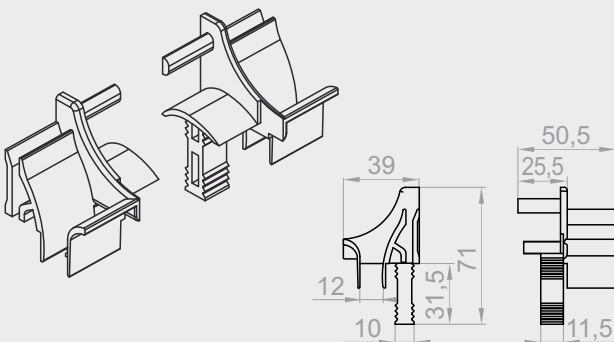


**SPP XX**

Blade slider in the guide for profile PA 39, PA 45, PVC 37.

Available in colors (XX):

02 - white, 03 - gray, 08 - dark brown, 09 - light brown,  
23 - anthracite, 48 - golden oak.



**SPPM XX**

Blade slider in the guide with mosquito net for profile  
PA 39, PA 45, PVC 37.

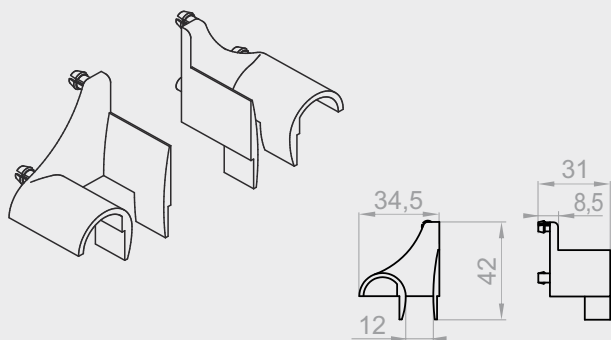
Available in colors (XX):

02 - white, 03 - gray, 08 - dark brown, 23 - anthracite,  
48 - golden oak.



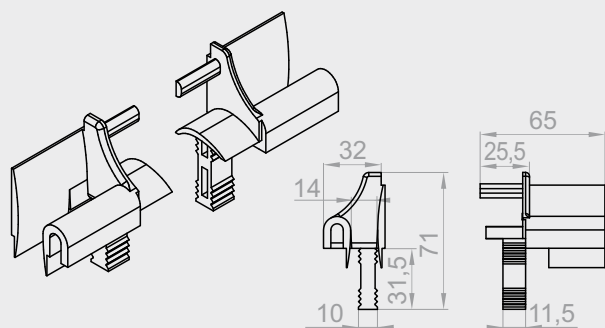
## Components for front mounted roller shutter system

### Additional components



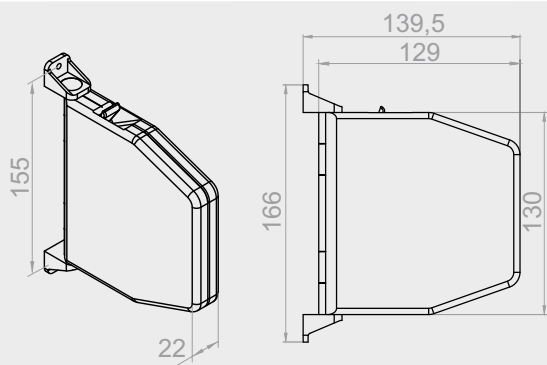
#### **SPD XX**

Blade slider for dividing for profile PA 39, PA 45, PVC 37.  
Available in colors (XX):  
02 - white, 03 - gray, 08 - dark brown, 09 - light brown,  
23 - anthracite.



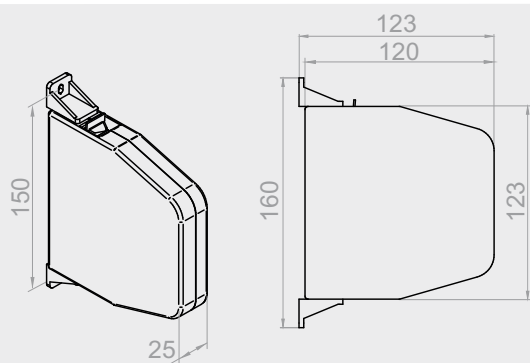
#### **SPP-52 XX**

Blade slider for profile PA 52, PVC 52.  
Available in colors (XX):  
02 - white, 03 - gray, 08 - dark brown, 09 - light brown,  
23 - anthracite.



#### **ZT-5M XX**

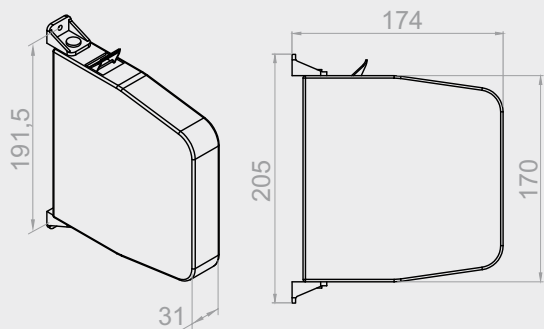
5m white tape coiler.  
Available in colors (XX):  
02 - white, 08 - dark brown.



#### **ZT/L-5M-XX**

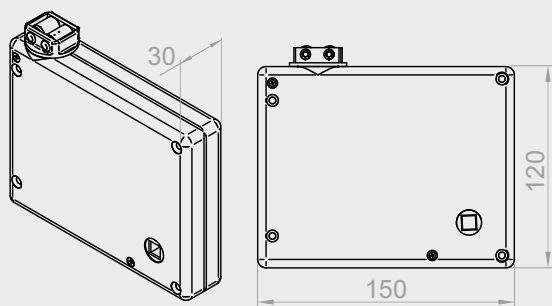
Universal tape/ cord coiler up to 5m.  
Available in colors (XX):  
23 - anthracite.





**ZT-11M XX**

11 m tape coiler.  
Available in colors (XX):  
02 - white, 08 - dark brown.

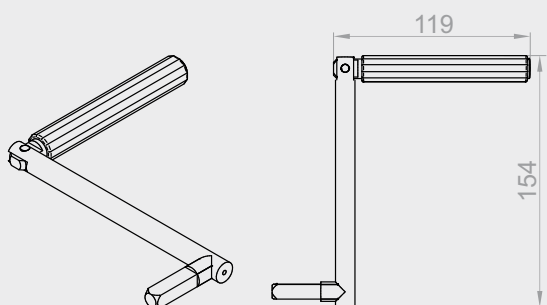


**KPTKM-XX**

Cassette with tape transmission.  
Available in colors (XX):  
02 - white, 08 - dark brown.

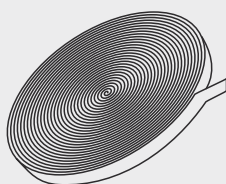
**KPLKM-XX**

Cassette with cord transmission.  
Available in (XX) colors:  
02 - white, 08 - dark brown.



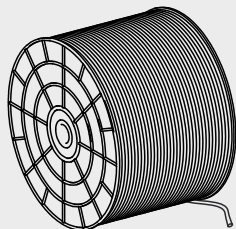
**KRM-140**

Mignon crank 140mm.



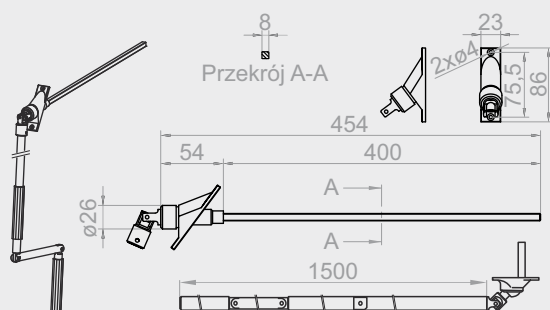
**TS-14-XX**

Tape.  
Available in colors (XX):  
03 - gray, 08 - dark brown, 23 - anthracite.



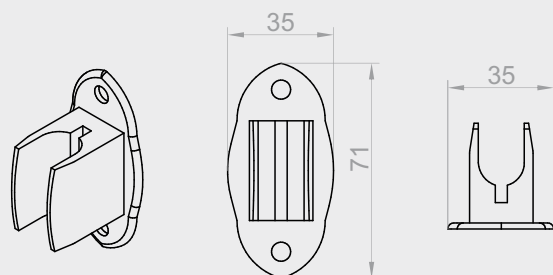
### **LN-45-XX**

4.5 mm nylon cord.  
Available in colors (XX):  
02 - white, 09 - light brown, 23 - anthracite.



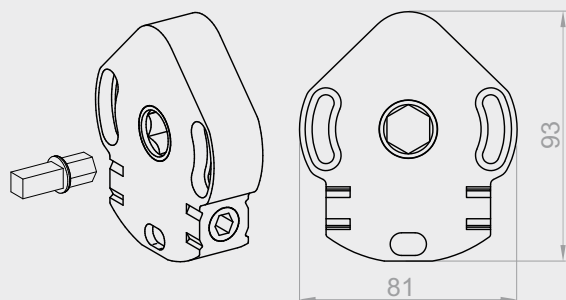
### **KRH-90/1500**

Cardan 90 with crank 1500 mm.



### **U-KRD**

Handle for mounting the crank.



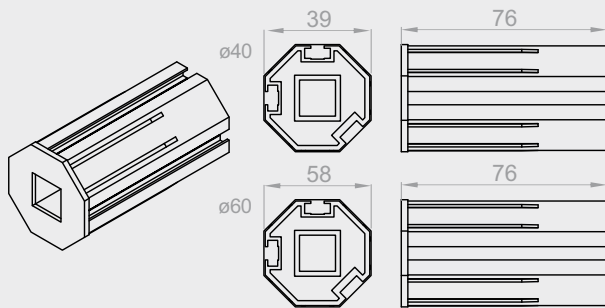
### **ACE-1-8**

Crank mechanism - 22 kg.

### **ACE-1-11**

Crank mechanism - 32 kg.



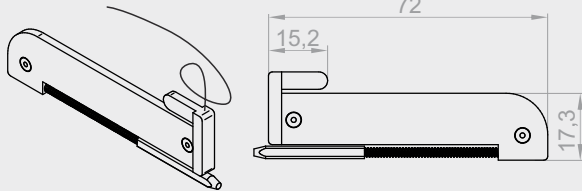


### **OBS-40-ACE**

ø40 mounting for the ACE mechanism.

### **OBS-60-ACE**

ø60 mounting for the ACE mechanism.

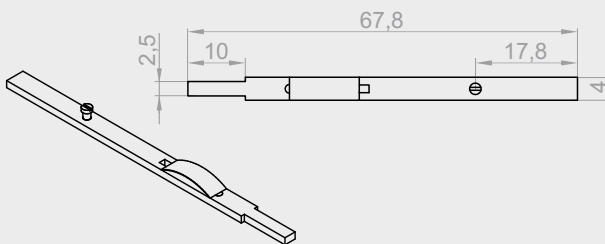


### **RA**

Automatic bolt.

Minimum roller shutter width - 45 cm.

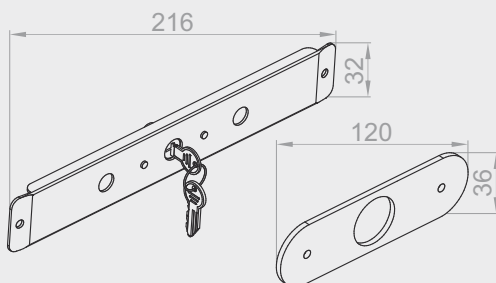
Minimum roller shutter height - 90 cm.



### **ZR**

Latch (manual bolt).

Minimum width of the roller shutter - 45 cm.



### **ZB**

Cylinder lock, set of keys (3 pieces) and covering plate.

The covering plate is mounted as standard from the outside.

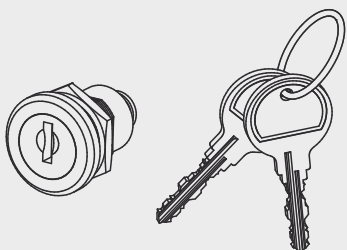
Minimum roller shutter width - 45 cm.

Available in colors (XX):

01 - silver, 02 - white, 03 - gray, 04 - dark beige,  
05 - light beige, 07 - light gray, 08 - dark brown,  
09 - light brown, 13 - green, 15 - cream white, 16 - ivory,  
19 - maroon, 20 - black, 23 - anthracite, 26 - steel olive.

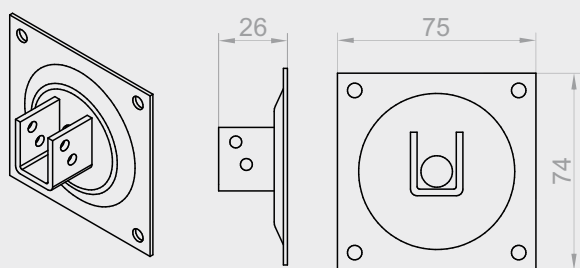
## Components for front mounted roller shutter system

### Additional components



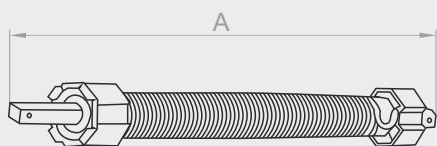
#### **ZM-SKK**

Key lock.



#### **P-SPR**

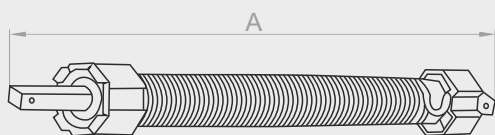
Spring plate.



#### **SPR-40**

Spring for the  $\varnothing 40$  roller pipe.

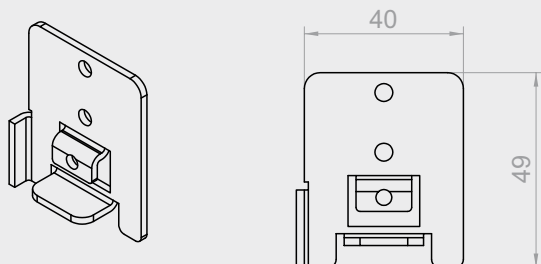
Type/Lifting capacity (kg)	Max. height of the roller shutter (cm)	Rotations	Spring length A (mm)
SPR-40-10	150	11	600
SPR-40-15	250	22	920
SPR-40-24	200	18	760



#### **SPR-60**

Spring for the  $\varnothing 60$  roller pipe.

Type/Lifting capacity (kg)	Max. height of the roller shutter (cm)	Rotations	Spring length A (mm)
SPR-60-12	220	21	750
SPR-60-15	200	19	695
SPR-60-18	270	19	860
SPR-60-20	270	25	1120
SPR-60-24	200	12	860
SPR-60-34	270	22	940
SPR-60-45	220	17	1150
SPR-60-62	200	13	940

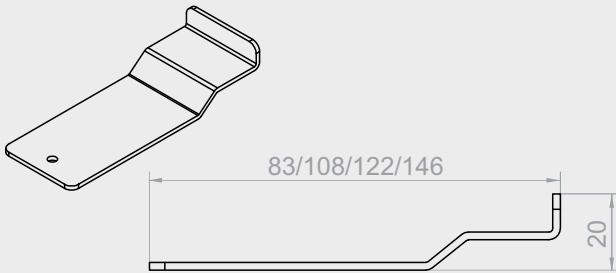


#### **WWS-KR**

IT2000® system inspection cover bracket holder.

IT2000





**WS-KR-137**

IT2000® inspection cover bracket for the box 137.

**WS-KR-165**

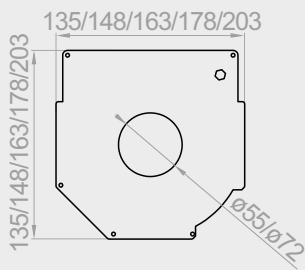
IT2000® inspection cover bracket for the box 165.

**WS-KR-180**

IT2000® inspection cover bracket for the box 180.

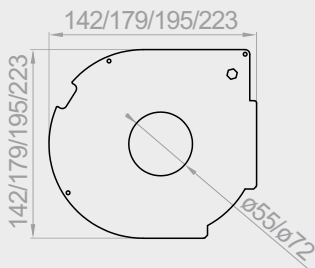
**WS-KR-205**

IT2000® inspection cover bracket for the box 205.



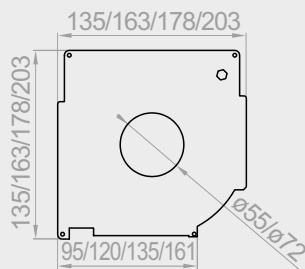
**OWS**

Inner cover of the side for all ST2000® system box sizes for ø40, ø60 pipes.



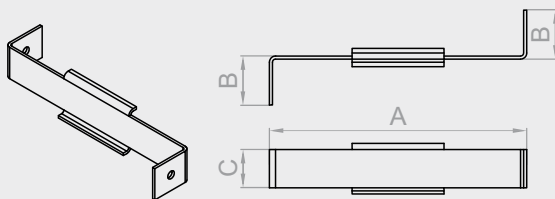
**OWO**

Inner cover of the side for all OS2000®, OL2000® system box sizes for ø40, ø60 pipes.



**OWI**

Inner cover of the side for all IT2000® system box sizes for ø40, ø60 pipes.

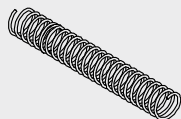
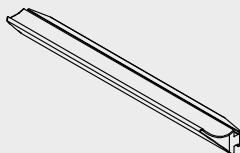
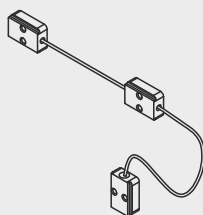
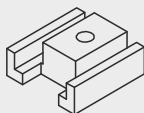
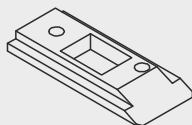
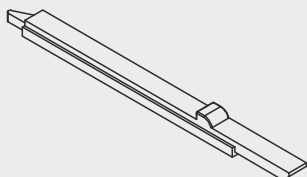
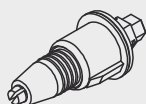
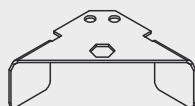
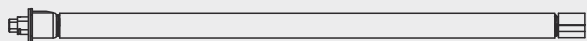


**UMIT**

IT2000® system inspection cover bracket holder.

	A (mm)	B (mm)	C (mm)
UMIT-137	140	32	25
UMIT-137-20	160	32	25
UMIT-165	168	32	25
UMIT-165-20	188	32	25
UMIT-180	183	32	25
UMIT-180-20	203	32	25
UMIT-205	208	32	25
UMIT-205-20	228	32	25





### **MKZ-020**

Spring mechanism for mosquito nets (set).

**M-RZ-200** - 1 pc  
Mosquito net spring.

**M-RZ-040** - 2 pcs  
Handle for front mounted roller shutter mosquito net.

**MZW-010** - 1 szt.  
Mounting for the mosquito net pipe in the front mounted roller shutter.

**M-RW-170-XX L+P** - 1 pc L + 1 pc R  
Bottom lath latch for the mosquito net.  
Available in colors (XX):  
02 - white, 03 - gray, 05 - light beige, 08 - dark brown,  
09 - light brown, 16 - ivory, 20 - black, 23 - anthracite.

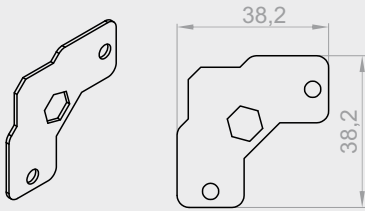
**M-RW-180-XX** - 2 pcs  
Latch clip.  
Available in colors (XX):  
02 - white, 03 - gray, 05 - light beige, 08 - dark brown,  
09 - light brown, 16 - ivory, 20 - black, 23 - anthracite.

**M-RW-200-XX** - 2 pcs  
Latch lock in the bottom lath of the mosquito net.  
Available in colors (XX):  
02 - white, 03 - gray, 05 - light beige, 08 - dark brown,  
09 - light brown, 16 - ivory, 20 - black, 23 - anthracite.

**MZW-050-XX** - 1 pc  
Cord handle in the bottom lath of the mosquito net.  
Available in colors (XX):  
02 - white, 03 - gray, 05 - light beige, 08 - dark brown,  
09 - light brown, 16 - ivory, 20 - black, 23 - anthracite.

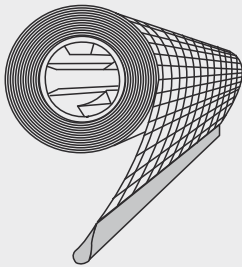
**M-RW-080-XX** - 2 pcs  
Bottom lath handle of the mosquito net.  
Available in colors (XX):  
02 - white, 03 - gray, 05 - light beige, 08 - dark brown,  
09 - light brown, 16 - ivory, 20 - black, 23 - anthracite.

**M-RN-070** - 2 pcs  
Spring for cassette's latch.



**M-RZ-060**

Handle for division in front mounted roller shutter mosquito net.



**MOS-CZARNA FI23 1,6**

Mosquito net 6000 x 1600 mm - black.

**MOS-SZARA FI23 1,7**

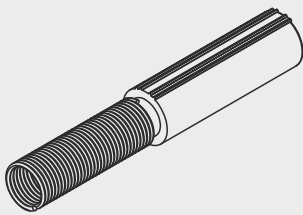
Mosquito net 6000 x 1700 mm - gray.

**MOS-CZARNA FI23 2,6**

Mosquito net 6000 x 2600 mm - black.

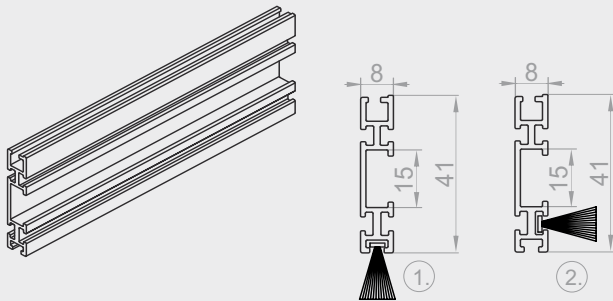
**MOS-SZARA FI23 2,6**

Mosquito net 6000 x 2600 mm - gray.



**ABS CZ**

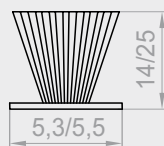
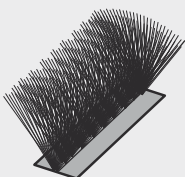
Slowing system for mosquito net.



**LDM-41x8 XX**

Mosquito net bottom lath with seal (mounted from the bottom - Fig.1, front-mounted - Fig.2).

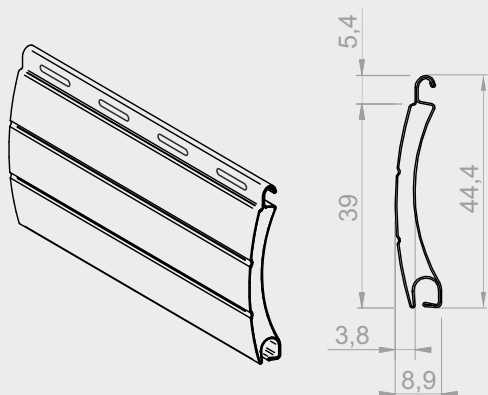
Index/color (XX)	01 - silver	02 - white	03 - gray	04 - dark beige	05 - light beige	07 - light gray	08 - dark brown	09 - light brown	13 - green	15 - cream white	16 - ivory	19 - mahogany	20 - black	22 - mahogany	23 - anthracite	26 - steel olive	27 - basalt gray	30 - nut	34 - bog oak	48 - golden oak	54 - winchester
LDM-41x8 XX	X	X	X	X	X	X	X	X	X	X	X	X	X	X	X	X	X				



**SP-5,3x14-3P**

Brush seal in the mosquito net bottom lath.

## Components for front mounted roller shutter system Curtain profiles



### PA 39/0k

PA 39 Aluminium profile - perforated.

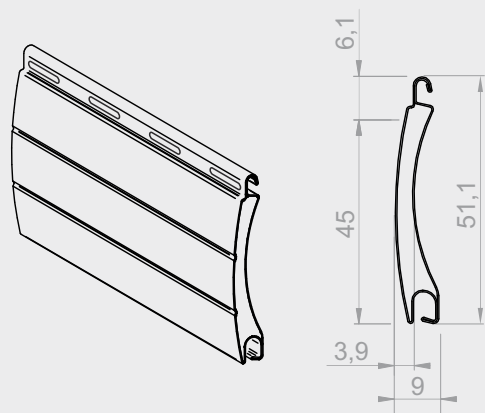
### PA 39/1k

PA 39 Aluminium profile - non-perforated.

Profile height	39 mm
Profile thickness	8,9 mm
Profile weight 1 m <sup>2</sup>	2,8 kg
Maximum profile length	6 m
Number of laths 1m high	26 pcs
Maximum area	6,5 m <sup>2</sup>
Maximum roller shutter width	2500 mm

#### Profile colors (k)

01 - silver	02 - white	03 - grey	04 - dark beige	05 - beige	07 - light grey	08 - dark brown	09 - brown	13 - green	15 - cream white	16 - ivory	19 - maroon	20 - black	22 - mahogany	23 - anthracite	24 - steel anthracite DB703	26 - steel olive	27 - basalt grey	30 - walnut	34 - bog oak	48 - golden oak	54 - winchester
-------------	------------	-----------	-----------------	------------	-----------------	-----------------	------------	------------	------------------	------------	-------------	------------	---------------	-----------------	-----------------------------	------------------	------------------	-------------	--------------	-----------------	-----------------



### PA 45/0k

PA 45 Aluminium profile - perforated.

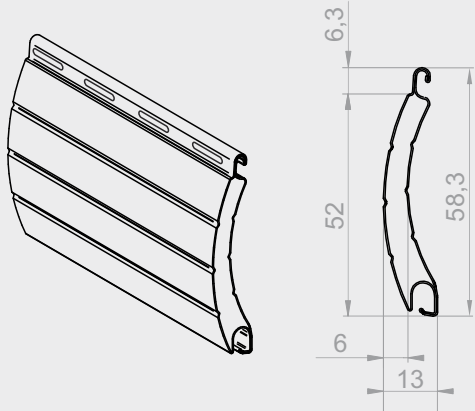
### PA 45/1k

PA 45 Aluminium profile - non-perforated.

Profile height	45 mm
Profile thickness	9 mm
Profile weight 1 m <sup>2</sup>	2,9 kg
Maximum profile length	6 m
Number of laths 1m high	23 pcs
Maximum area	6,5 m <sup>2</sup>
Maximum roller shutter width	3000 mm

#### Profile colors (k)

01 - silver	02 - white	03 - grey	04 - dark beige	05 - beige	07 - light grey	08 - dark brown	09 - brown	13 - green	15 - cream white	16 - ivory	19 - maroon	22 - mahogany	23 - anthracite	26 - steel olive	30 - walnut	48 - golden oak	54 - winchester
-------------	------------	-----------	-----------------	------------	-----------------	-----------------	------------	------------	------------------	------------	-------------	---------------	-----------------	------------------	-------------	-----------------	-----------------



**PA 52/0k**

PA 52 Aluminium profile - perforated.

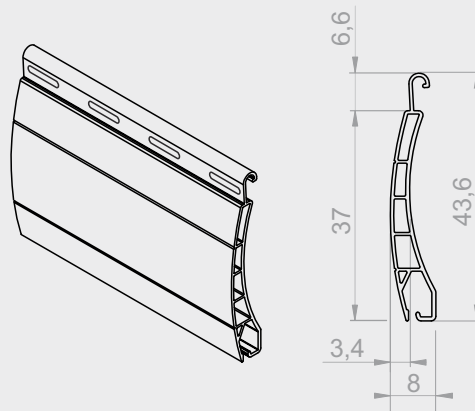
**PA 52/1k**

PA 52 Aluminium profile - non-perforated.

Profile height	52 mm
Profile thickness	13 mm
Profile weight 1 m <sup>2</sup>	3,0 kg
Maximum profile length	6 m
Number of laths 1m high	19 pcs
Maximum area	8,0 m <sup>2</sup>
Maximum roller shutter width	3700 mm

Profile colors (k)

01 - silver	02 - white	03 - gray	05 - beige	07 - light grey	08 - dark brown	09 - brown	15 - cream white	16 - ivory	23 - anthracite	26 - steel olive	30 - walnut	48 - golden oak



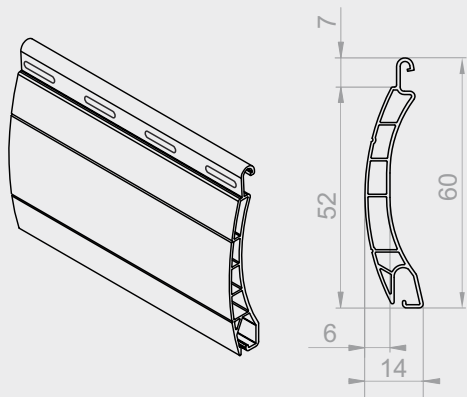
**PVC 37/0k**

Profile PVC 37 - perforated.

Profile height	37 mm
Profile thickness	8 mm
Profile weight 1 m <sup>2</sup>	3,5 kg
Maximum profile length	6 m
Number of laths 1m high	27 pcs
Maximum area	3,0 m <sup>2</sup>
Maximum roller shutter width	1600 mm

Profile colors (k)

02 - white	03 - gray	05 - beige

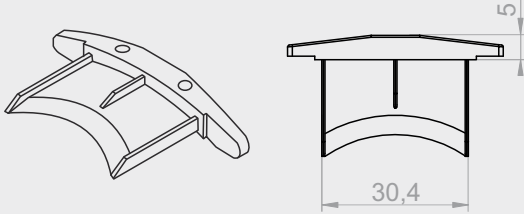


### **PVC 52/0k**

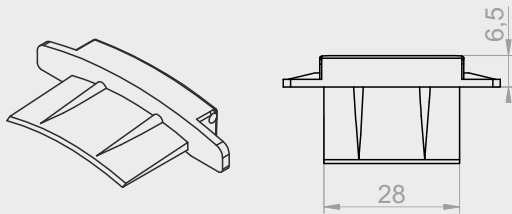
Profile PVC 52 - perforated.

Profile height	52 mm
Profile thickness	14 mm
Profile weight 1 m <sup>2</sup>	4,0 kg
Maximum profile length	6 m
Number of laths 1m high	19 pcs
Maximum area	4,3 m <sup>2</sup>
Maximum roller shutter width	1600 mm

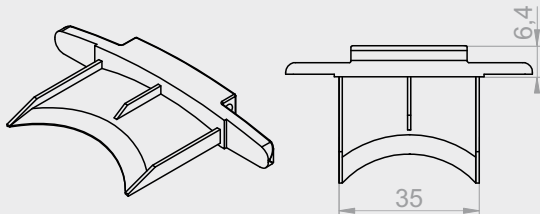
Profile colors (k)		
02 - white	03 - gray	05 - beige
		



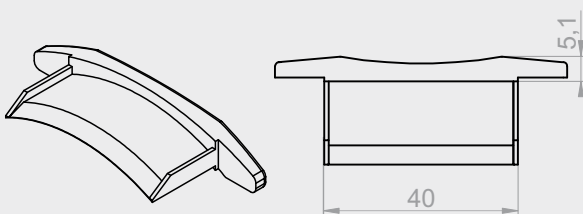
**APA 39 M**  
PA 39 Profile plug.



**APA 37-R**  
PA 39 Profile plug bolt.



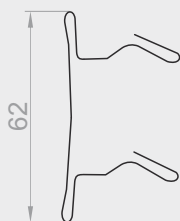
**APA 45-R**  
PA 45 Profile plug bolt.



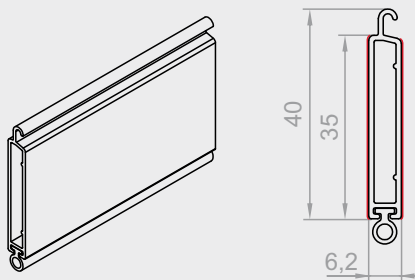
**APA 52**  
PA 52 Profile plug.



**APA 37-PCV**  
PVC 37 Profile plug.

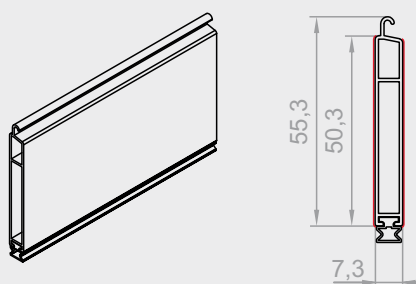
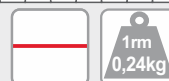


**APA 52-PCV**  
PVC 52 Profile plug.



**LD-35 MINI**  
Bottom lath for profiles PA 39, PVC 37 with KA-44B seal.

Index/color (XX)	01 - silver	02 - white	03 - gray	04 - dark beige	05 - light beige	07 - light gray	08 - dark brown	09 - light brown	13 - green	15 - cream white	16 - ivory	19 - maroon	20 - black	22 - mahogany	23 - anthracite	26 - steel olive	27 - basalt gray	30 - nut	34 - bog oak	48 - golden oak	54 - winchester	
LD-35 MINI XX	X	X	X	X	X	X	X	X	X	X	X	X	X	X	X	X	X	X	X	X	X	X

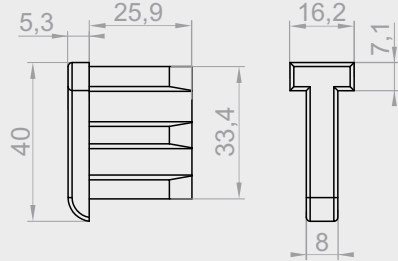
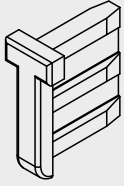


**LD-37**  
Bottom lath for profiles PA 39, 45, 52, PVC 37, 52 with KA-44 seal.

Index/color (XX)	01 - silver	02 - white	03 - gray	04 - dark beige	05 - light beige	07 - light gray	08 - dark brown	09 - light brown	13 - green	15 - cream white	16 - ivory	19 - maroon	20 - black	22 - mahogany	23 - anthracite	26 - steel olive	27 - basalt gray	30 - nut	34 - bog oak	48 - golden oak	54 - winchester	
LD-37 XX	X	X	X	X	X	X	X	X	X	X	X	X	X	X	X	X	X	X	X	X	X	X



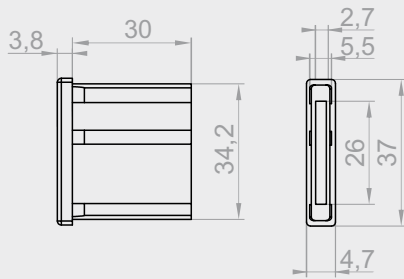
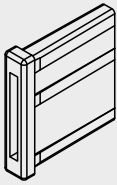




**ZLD**

Bottom lath plug.

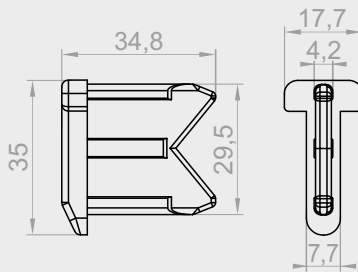
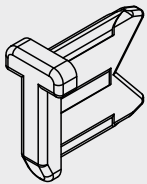
ABS



**ZLD37-ZB**

Bottom lath plug 37 for cylinder lock.

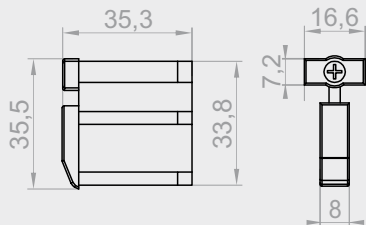
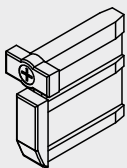
ABS



**ZLD MINI**

MINI bottom lath plug.

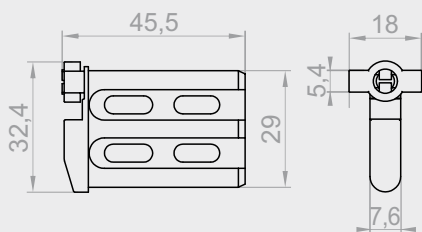
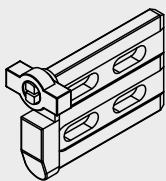
ABS



**ZLD-OBR**

Rotational bottom lath plug.

ABS

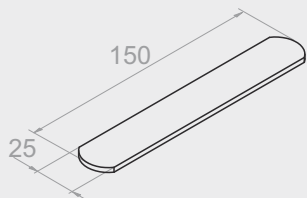


**ZLD-OBR MINI**

Rotational plug for the mini bottom lath.

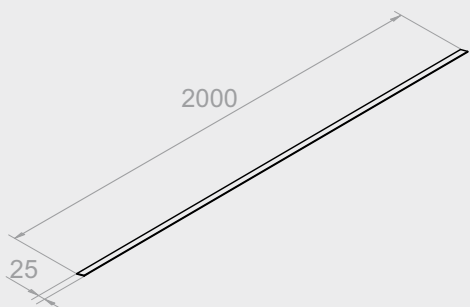
ABS

## Components for front mounted roller shutter system Bottom laths, additional components



### LD-OBCIAŻNIK LD-37

Bottom lath weight 15 cm.

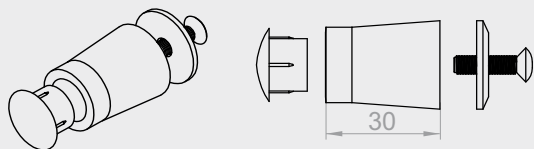


### LD-OBCIAŻNIK ZB

200 cm bottom lath weight - for cylinder lock.



BF



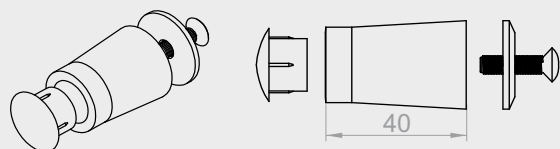
### BF (without the profile plug) BF-ZAT

} SET

Bottom lath buffer

Index/color (XX)	01 - silver	02 - white	03 - gray	04 - dark beige	05 - light beige	07 - light gray	08 - dark brown	09 - light brown	13 - green	15 - cream white	16 - ivory	19 - maroon	20 - black	22 - mahogany	23 - anthracite	26 - steel olive	27 - basalt gray	30 - nut	34 - bog oak	48 - golden oak	54 - winchester
BF XX/BF-ZAT XX	X	X	X	X	X	X	X	X	X	X	X	X	X	X	X	X	X	X	X	X	X

BF-40 MM



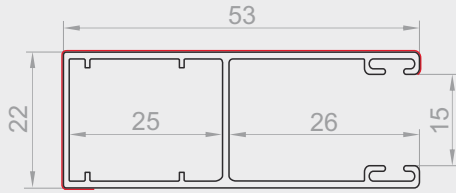
### BF-40 MM (without the profile plug) BF-ZAT

} SET

Bottom lath buffer

Index/color (XX)	01 - silver	02 - white	03 - gray	04 - dark beige	05 - light beige	07 - light gray	08 - dark brown	09 - light brown	13 - green	15 - cream white	16 - ivory	19 - maroon	20 - black	22 - mahogany	23 - anthracite	26 - steel olive	27 - basalt gray	30 - nut	34 - bog oak	48 - golden oak	54 - winchester
PP-66-XX	X	X	X	X	X	X	X	X							X	X	X	X	X	X	X



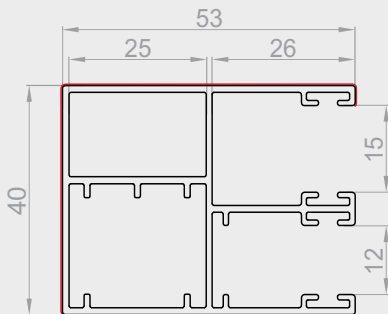


### PP-53

Straight guide 53 mm (for profiles PA 39, PA 45, PVC 37).

Index/color (XX)	01 - silver	02 - white	03 - gray	04 - dark beige	05 - light beige	07 - light gray	08 - dark brown	09 - light brown	13 - green	15 - cream white	16 - ivory	19 - maroon	20 - black	22 - mahogany	23 - anthracite	26 - steel olive	27 - basalt gray	30 - nut	34 - bog oak	48 - golden oak	54 - winchester	
PP-53-XX	X	X	X	X	X	X	X	X	X	X	X	X	X	X	X	X	X					

+ all veneer colors

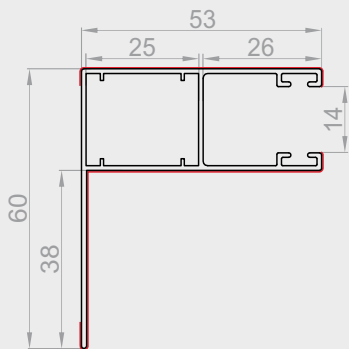


### PPDM-53

Guide for roller shutters with mosquito net (for profiles PA 39, PA 45, PVC 37).

Index/color (XX)	01 - silver	02 - white	03 - gray	04 - dark beige	05 - light beige	07 - light gray	08 - dark brown	09 - light brown	13 - green	15 - cream white	16 - ivory	19 - maroon	20 - black	22 - mahogany	23 - anthracite	26 - steel olive	27 - basalt gray	30 - nut	34 - bog oak	48 - golden oak	54 - winchester	
PPDM-53-XX	X	X	X	X	X	X	X	X	X	X	X	X	X	X	X	X	X					

+ all veneer colors

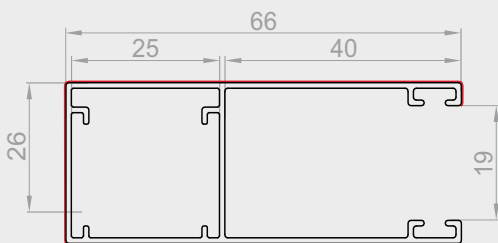


### PK-53

Corner guide 53 mm (for profiles PA 39, PA 45, PVC 37).

Index/color (XX)	01 - silver	02 - white	03 - gray	04 - dark beige	05 - light beige	07 - light gray	08 - dark brown	09 - light brown	13 - green	15 - cream white	16 - ivory	19 - maroon	20 - black	22 - mahogany	23 - anthracite	26 - steel olive	27 - basalt gray	30 - nut	34 - bog oak	48 - golden oak	54 - winchester	
PK-53-XX	X	X	X	X	X	X	X	X	X	X	X	X	X	X	X	X	X					

+ all veneer colors



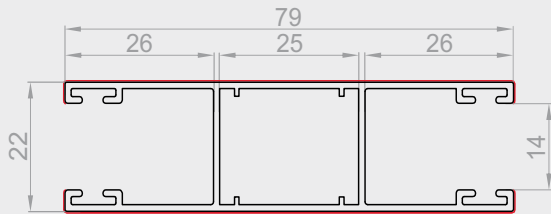
### PP-66

Straight guide 66 mm (for profiles PA 52, PVC 52).

Index/color (XX)	01 - silver	02 - white	03 - gray	04 - dark beige	05 - light beige	07 - light gray	08 - dark brown	09 - light brown	13 - green	15 - cream white	16 - ivory	19 - maroon	20 - black	22 - mahogany	23 - anthracite	26 - steel olive	27 - basalt gray	30 - nut	34 - bog oak	48 - golden oak	54 - winchester	
PP-66-XX	X	X	X	X	X	X	X	X	X	X	X	X	X	X	X	X	X					

+ all veneer colors



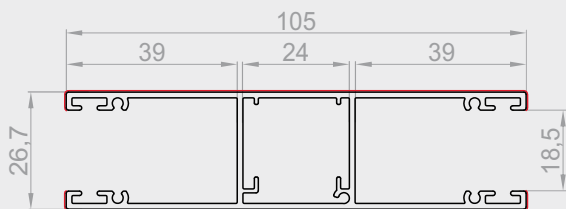


### PPD-79-XX

Double guide 79 mm (for profiles PA 39, PA 45, PVC 37).

Index/color (XX)	01 - silver	02 - white	03 - gray	04 - dark beige	05 - light beige	07 - light gray	08 - dark brown	09 - light brown	13 - green	15 - cream white	16 - ivory	19 - maroon	20 - black	22 - mahogany	23 - anthracite	26 - steel olive	27 - basalt gray	30 - nut	34 - bog oak	48 - golden oak	54 - winchester	
PPD-79-XX	X	X	X	X	X	X	X	X	X	X	X	X	X	X	X	X	X	X				

+ all veneer colors

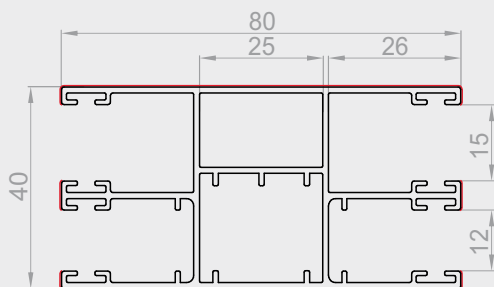


### PPDW-105

Double guide 105 mm (for profiles PA 52).

Index/color (XX)	01 - silver	02 - white	03 - gray	04 - dark beige	05 - light beige	07 - light gray	08 - dark brown	09 - light brown	13 - green	15 - cream white	16 - ivory	19 - maroon	20 - black	22 - mahogany	23 - anthracite	26 - steel olive	27 - basalt gray	30 - nut	34 - bog oak	48 - golden oak	54 - winchester	
PPDW-105-XX	X	X	X	X	X	X	X	X	X	X	X	X	X	X	X	X	X	X				

+ all veneer colors

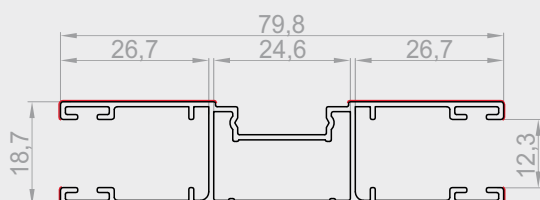


### PPDM-80-XX

Guide for roller shutters with mosquito net (for profiles PA 39, PA 45, PVC 37).

Index/color (XX)	01 - silver	02 - white	03 - gray	04 - dark beige	05 - light beige	07 - light gray	08 - dark brown	09 - light brown	13 - green	15 - cream white	16 - ivory	19 - maroon	20 - black	22 - mahogany	23 - anthracite	26 - steel olive	27 - basalt gray	30 - nut	34 - bog oak	48 - golden oak	54 - winchester	
PPDM-80-XX	X	X	X	X	X	X	X	X	X	X	X	X	X	X	X	X	X	X				

+ all veneer colors



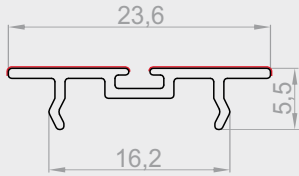
### PPMP-79-XX

Double division guide for mosquito net.

Index/color (XX)	01 - silver	02 - white	03 - gray	04 - dark beige	05 - light beige	07 - light gray	08 - dark brown	09 - light brown	13 - green	15 - cream white	16 - ivory	19 - maroon	20 - black	22 - mahogany	23 - anthracite	26 - steel olive	27 - basalt gray	30 - nut	34 - bog oak	48 - golden oak	54 - winchester	
PPMP-79-XX	X	X	X	X	X	X	X	X	X	X	X	X	X	X	X	X	X	X				

+ all veneer colors



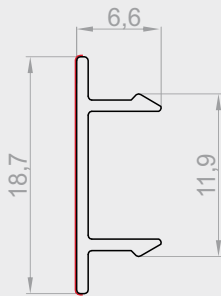


### ZSKW XX

End cap with a channel for a gasket.

Index/color (XX)	01 - silver	02 - white	03 - gray	04 - dark beige	05 - light beige	07 - light gray	08 - dark brown	09 - light brown	13 - green	15 - cream white	16 - ivory	19 - maroon	20 - black	22 - mahogany	23 - anthracite	26 - steel olive	27 - basalt gray	30 - nut	34 - bog oak	48 - golden oak	54 - winchester	
ZSKW-XX	X	X	X	X	X	X	X	X	X	X	X	X	X	X	X	X	X					

+ all veneer colors

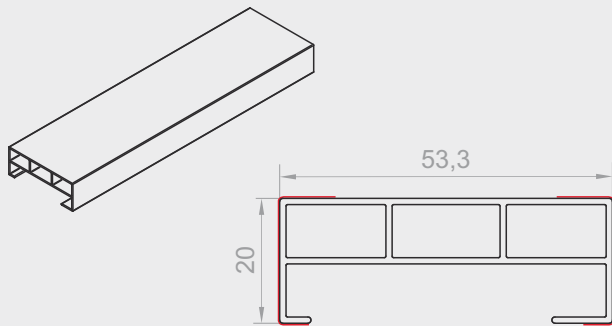


### ZSKM XX

End cap for aluminium guide mosquito net channel.

Index/color (XX)	01 - silver	02 - white	03 - gray	04 - dark beige	05 - light beige	07 - light gray	08 - dark brown	09 - light brown	13 - green	15 - cream white	16 - ivory	19 - maroon	20 - black	22 - mahogany	23 - anthracite	26 - steel olive	27 - basalt gray	30 - nut	34 - bog oak	48 - golden oak	54 - winchester	
ZSKM-XX	X	X	X	X	X	X	X	X	X	X	X	X	X	X	X	X	X					

+ all veneer colors

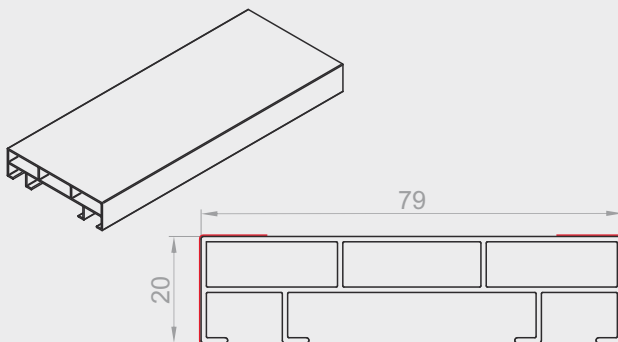


### D-PP-53

Spacer strip for a single guide.

Index/color (XX)	01 - silver	02 - white	03 - gray	04 - dark beige	05 - light beige	07 - light gray	08 - dark brown	09 - light brown	13 - green	15 - cream white	16 - ivory	19 - maroon	20 - black	22 - mahogany	23 - anthracite	26 - steel olive	27 - basalt gray	30 - nut	34 - bog oak	48 - golden oak	54 - winchester	
D-PP-53-XX	X	X	X	X	X	X	X	X	X	X	X	X	X	X	X	X	X					

+ all veneer colors



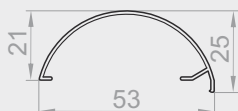
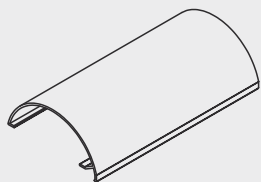
### D-PPD-79

Spacer strip for a double guide.

Index/color (XX)	01 - silver	02 - white	03 - gray	04 - dark beige	05 - light beige	07 - light gray	08 - dark brown	09 - light brown	13 - green	15 - cream white	16 - ivory	19 - maroon	20 - black	22 - mahogany	23 - anthracite	26 - steel olive	27 - basalt gray	30 - nut	34 - bog oak	48 - golden oak	54 - winchester	
D-PPD-79-XX	X	X	X	X	X	X	X	X	X	X	X	X	X	X	X	X	X					

+ all veneer colors





### N/PPDO XX

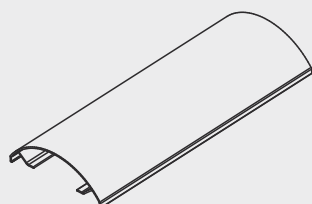
53 mm guide cap for OS2000®, OL2000® systems. Applied with PP-53 guides and PZO plate.

Index/color (XX)	01 - silver	02 - white	03 - gray	04 - dark beige	05 - light beige	07 - light gray	08 - dark brown	09 - light brown	13 - green	15 - cream white	16 - ivory	19 - maroon	20 - black	22 - mahogany	23 - anthracite	26 - steel olive	27 - basalt gray	30 - nut	34 - bog oak	48 - golden oak	54 - winchester	
N/PPDO XX	X	X	X	X	X	X	X	X	X	X	X	X	X	X	X	X	X	X	X	X	X	X

ALU

Max.  
6mm

1mm  
0,2kg



### N/PPDO 79-XX

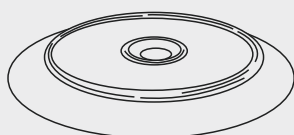
79 mm guide cap for OS2000®, OL2000® systems. Applied with PPD-79 guides and PZO plate.

Index/color (XX)	01 - silver	02 - white	03 - gray	04 - dark beige	05 - light beige	07 - light gray	08 - dark brown	09 - light brown	13 - green	15 - cream white	16 - ivory	19 - maroon	20 - black	22 - mahogany	23 - anthracite	26 - steel olive	27 - basalt gray	30 - nut	34 - bog oak	48 - golden oak	54 - winchester	
N/PPDO 79-XX	X	X	X	X	X	X	X	X	X	X	X	X	X	X	X	X	X	X	X	X	X	X

ALU

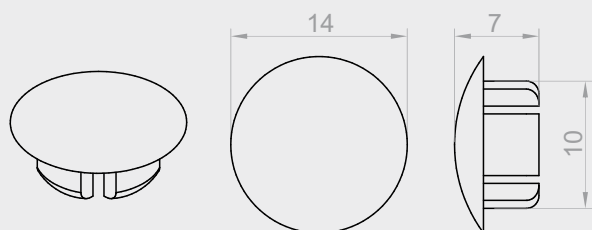
Max.  
6mm

1mm  
0,4kg



### PZO 42

Latch plate for semi-circular cap and spacer strip. Applied every 40 cm with aluminium guide cap N/PPDO, D-PP, D-PPD.

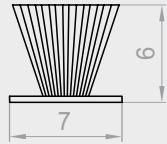
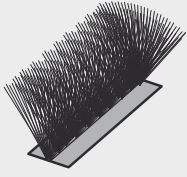


### Z-PP/PK-XX

PVC plug for aluminium guide.

Available in colors (XX):

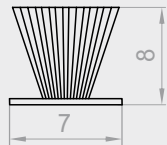
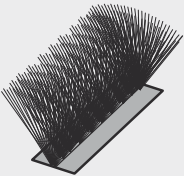
02 - white, 03 - gray, 04 - dark beige, 05 - light beige, 08 - dark brown, 09 - light brown, 13 - green, 19 - maroon, 20 - black, 23 - anthracite, 26 - steel olive, 27 - basalt gray, 48 - golden oak.



### **SP-7x6 4P SP**

Brush seal for guides.

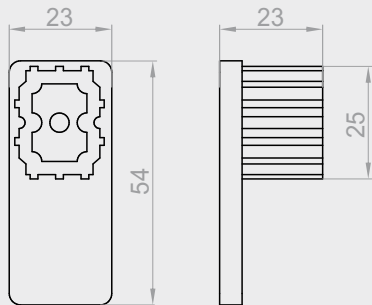
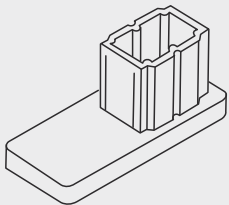
Applied with PP-53, PK-53, PPD-79, PP-66, PPDM-53 guides.



### **SP-7x8-3P1M-VR**

Brush seal for guides with mosquito net.

Applied with PPDM-53, PPDM-80, PPMP-79 guide.

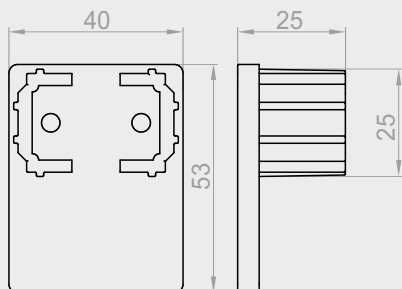
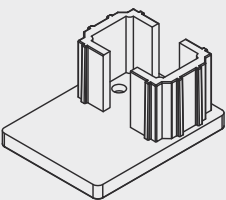


### **P-53-XX**

Guide plug. Applied with PP and PK guides.

Available in colors (XX):

02 - white, 03 - gray, 04 - dark beige, 05 - light beige, 08 - dark brown, 09 - light brown, 13 - green, 19 - maroon, 20 - black, 23 - anthracite, 26 - steel olive, 27 - basalt gray, 48 - golden oak.



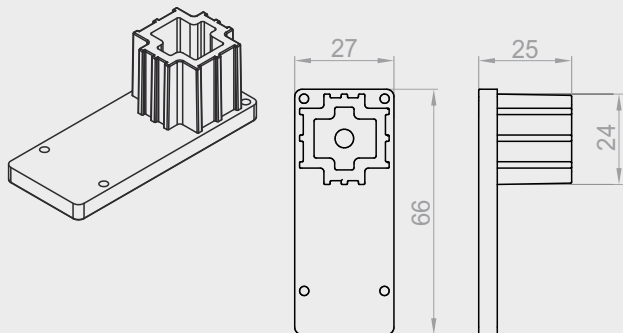
### **P-53M-XX**

Guide plug with mosquito net. Applied with PPDM-53 guide.

Available in colors (XX):

02 - white, 03 - gray, 04 - dark beige, 05 - light beige, 08 - dark brown, 09 - light brown, 16 - ivory, 19 - maroon, 20 - black, 23 - anthracite, 26 - steel olive, 48 - golden oak.



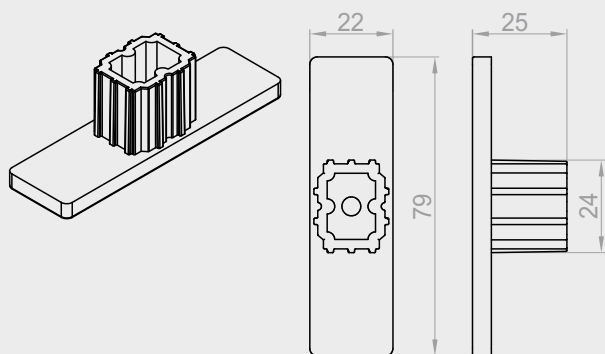


### **P-66 XX**

Guide plug. Applied with PP-66 guide. (for PA 52 profile).

Available in colors (XX):

02 - white, 03 - gray, 04 - dark beige, 05 - light beige,  
08 - dark brown, 09 - light brown, 16 - ivory, 19 - maroon,  
20 - black, 23 - anthracite, 26 - steel olive,  
48 - golden oak.

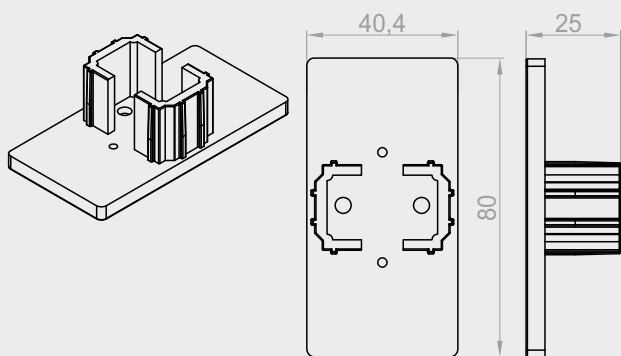


### **P-79-XX**

Double guide plug. Applied with PPD-79 guide.

Available in colors (XX):

02 - white, 03 - gray, 04 - dark beige, 05 - light beige,  
08 - dark brown, 09 - light brown, 16 - ivory,  
19 - maroon, 20 - black, 23 - anthracite,  
26 - steel olive, 48 - golden oak.

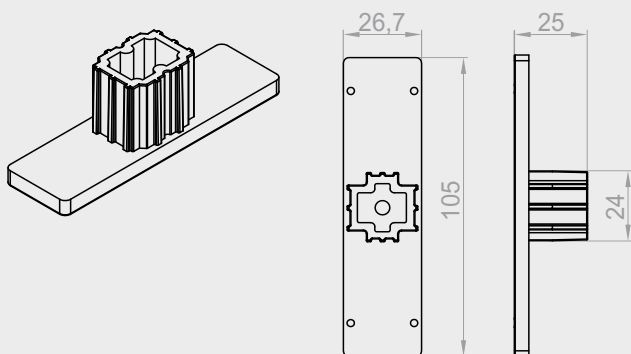


### **P-80 M XX**

Double guide plug. Applied with PPMP-79 guide.

Available in colors (XX):

02 - white, 03 - gray, 04 - dark beige, 05 - light beige,  
08 - dark brown, 09 - light brown, 16 - ivory,  
19 - maroon, 20 - black, 23 - anthracite,  
26 - steel olive, 48 - golden oak.



### **P-105 XX**

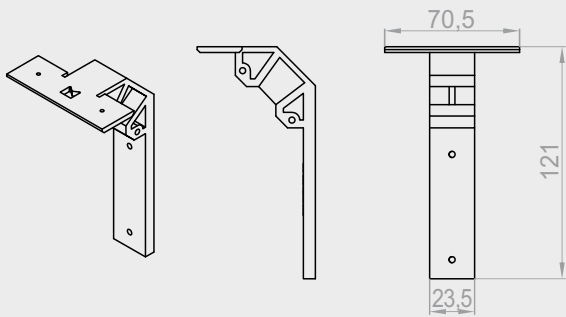
Double guide plug. Applied with PPDW-105 guide  
(for PA 52 profile).

Available in colors (XX):

02 - white, 03 - gray, 04 - dark beige, 05 - light beige,  
08 - dark brown, 09 - light brown, 16 - ivory,  
19 - maroon, 20 - black, 23 - anthracite,  
26 - steel olive, 48 - golden oak.

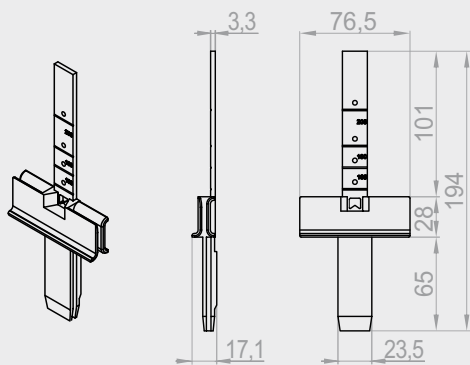






### PMA-G

Adaption division of the mosquito net - top.

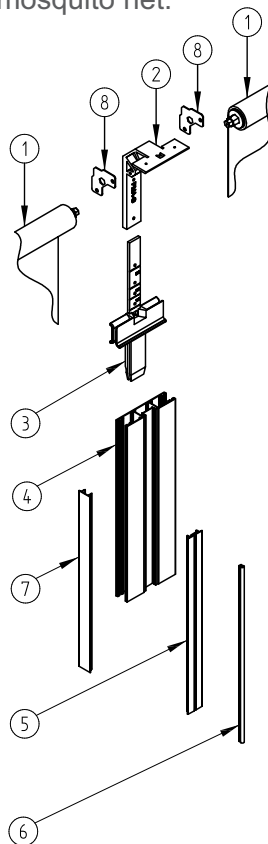


### PMA-D

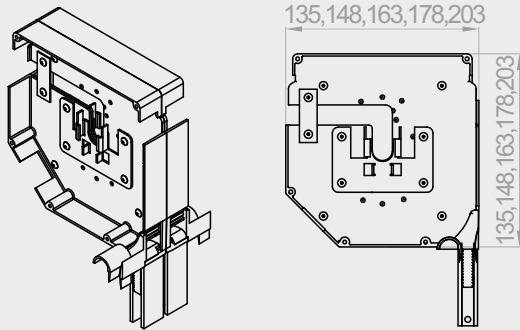
Adaption division of the mosquito net - bottom.



Adaption division of the mosquito net:

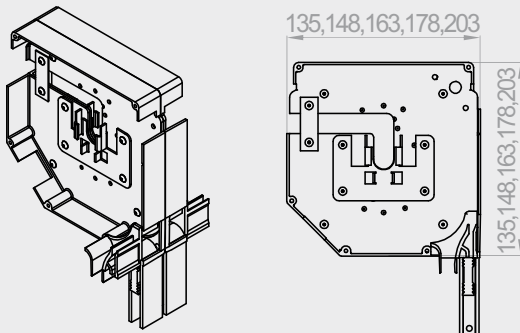
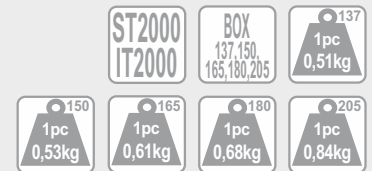
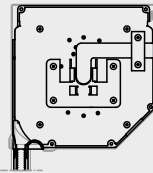


- |    |              |  |
|----|--------------|--|
| 1  | MOS FI23 1,7 | Mosquito net on the pipe $\varnothing$ 23 1,7  |
|    | MOS FI23 2,6 | Mosquito net on the pipe $\varnothing$ 23 2,6  |
| 2. | PMA-G        | Adaption division of the mosquito net - top    |
| 3. | PMA-D        | Adaption division of the mosquito net - bottom |
| 4. | PPMP-79      | Double division guide for mosquito net         |
| 5. | ZSKW         | Guide end cap with a channel for a gasket      |
| 6. | KA-44 B      | Rubber gasket for LD-35 mini                   |
| 7. | ZSKM         | End cap for the mosquito net channel           |
| 8. | M-RZ-060     | Metal division handle for the mosquito net     |



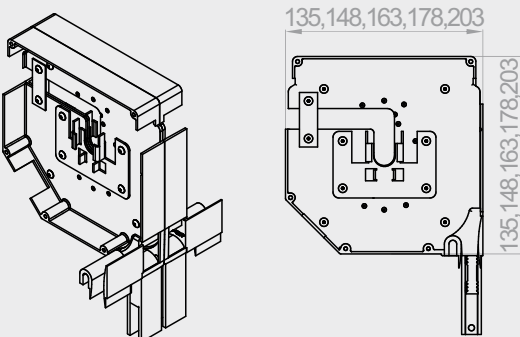
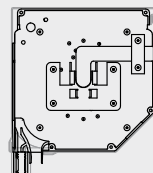
### BPS 110 VVV-XX

Division of ST2000, IT2000 boxes for two single guides, dependent drive.  
VVV - box size, XX - color.



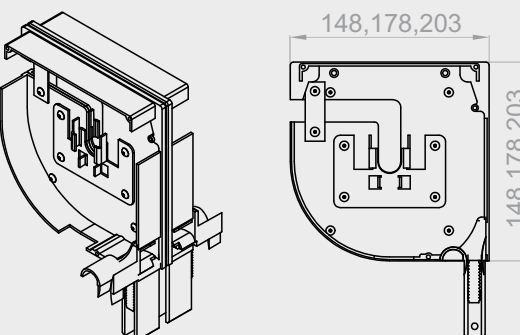
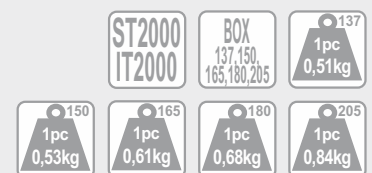
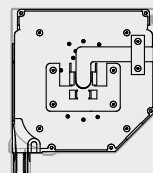
### BPS 210 VVV-XX

Division of ST2000 box with mosquito net, IT2000 with mosquito net for two single guides, dependent drive.  
VVV - box size, XX - color.



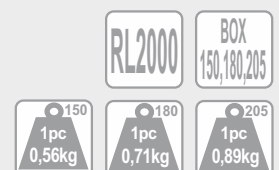
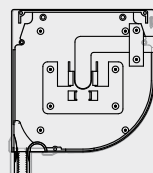
### BPS 310 VVV-XX

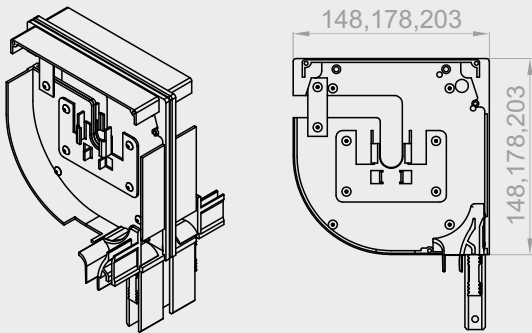
Division of ST2000, IT2000 boxes with PA-52 profile for two single guides, dependent drive.  
VVV - box size, XX - color.



### BPR 110 VVV-XX

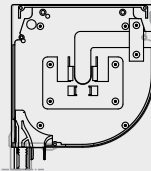
Division of RL2000 box for two single guides, dependent drive.  
VVV - box size, XX - color.





### BPR 210 VVV-XX

Division of RL2000 box with mosquito net for two single guides, dependent drive.  
VVV - box size, XX - color.

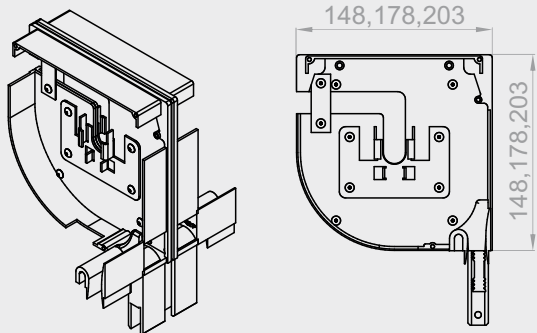


RL2000 BOX  
150,180,205

150  
1pc  
0,56kg

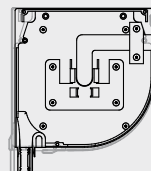
180  
1pc  
0,71kg

205  
1pc  
0,89kg



### BPR 310 VVV-XX

Division of RL2000 box with PA-52 profile for two single guides, dependent drive.  
VVV - box size, XX - color.

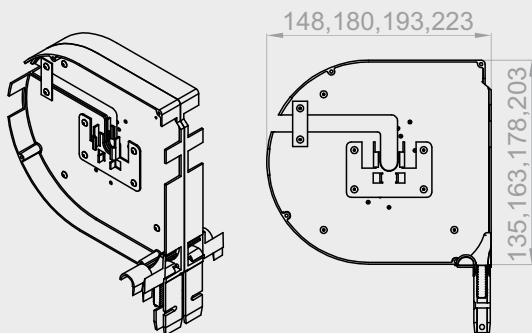


RL2000 BOX  
150,180,205

150  
1pc  
0,56kg

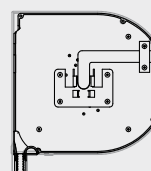
180  
1pc  
0,71kg

205  
1pc  
0,89kg



### BPO 110 VVV-XX

Division of OS2000, OL2000 boxes for two single guides, dependent drive.  
VVV - box size, XX - color.



OS2000  
OL2000

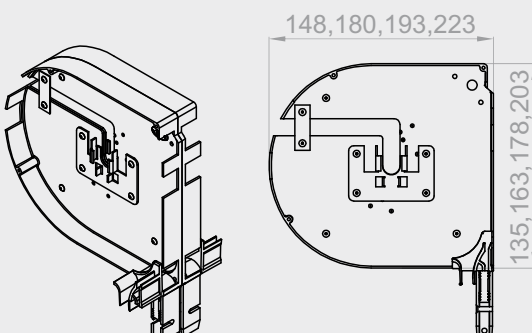
BOX  
137,165  
180,205

137  
1pc  
0,37kg

165  
1pc  
0,52kg

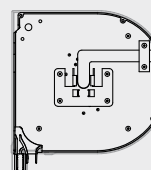
180  
1pc  
0,64kg

205  
1pc  
0,81kg



### BPO 210 VVV-XX

Division of OS2000 box with mosquito net, OL2000 with mosquito net for two single guides, dependent drive.  
VVV - box size, XX - color.



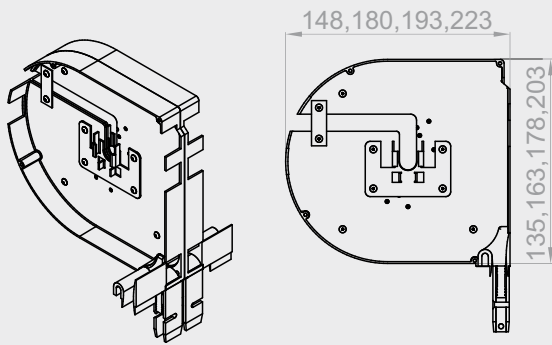
OS2000  
OL2000

BOX  
165  
180,205

165  
1pc  
0,52kg

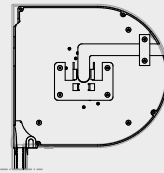
180  
1pc  
0,64kg

205  
1pc  
0,81kg

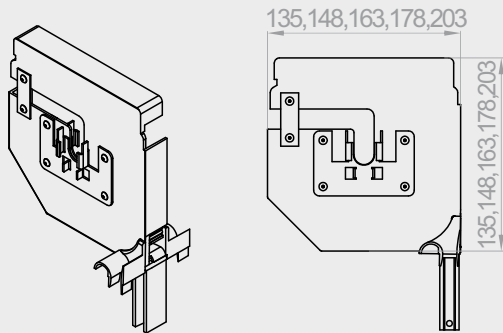


### BPO 310 VVV-XX

Division of OS2000, OL2000 boxes with PA-52 profile for two single guides, dependent drive.  
VVV - box size, XX - color.

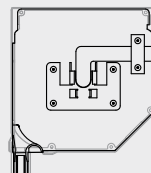


OS2000 OL2000	BOX 137,165 180,205	137 1pc 0,37kg
165 1pc 0,52kg	180 1pc 0,64kg	205 1pc 0,81kg

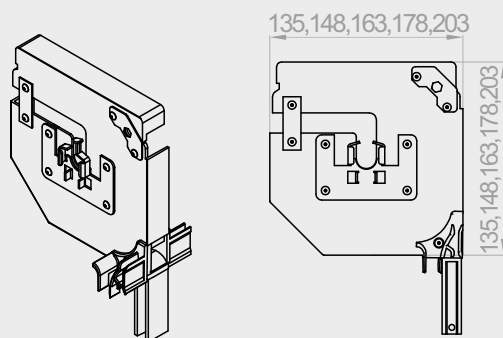


### BPS 130 VVV-XX

Division of ST2000, IT2000 boxes for double guide, dependent drive.  
VVV - box size, XX - color.

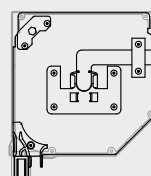


ST2000 IT2000	BOX 137,150 165,180,205	137 1pc 0,51kg
150 1pc 0,53kg	165 1pc 0,61kg	180 1pc 0,68kg
		205 1pc 0,84kg

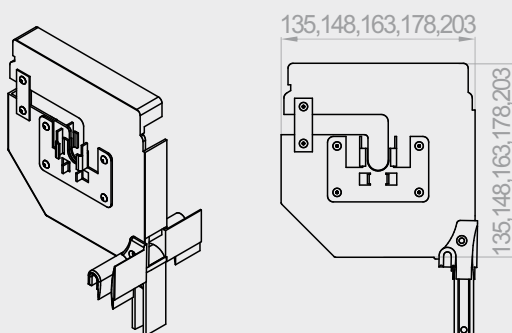


### BPS 230 VVV-XX

Division of ST2000 box with mosquito net, IT2000 with mosquito net for double guide, dependent drive.  
VVV - box size, XX - color.

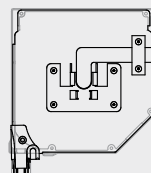


ST2000 IT2000	BOX 150,165 180,205	150 1pc 0,53kg
165 1pc 0,61kg	180 1pc 0,68kg	205 1pc 0,84kg

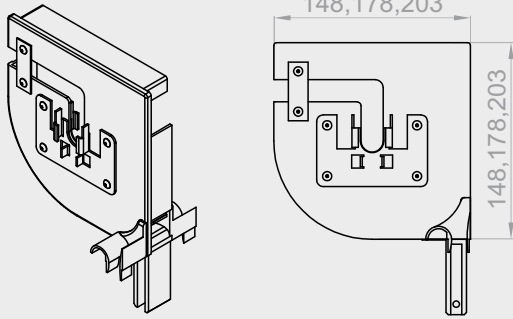


### BPS 330 VVV-XX

Division of ST2000, IT2000 boxes with PA-52 profile for double guide, dependent drive.  
VVV - box size, XX - color.

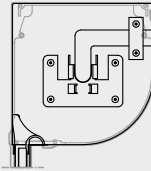


ST2000 IT2000	BOX 137,150 165,180,205	137 1pc 0,51kg
150 1pc 0,53kg	165 1pc 0,61kg	180 1pc 0,68kg
		205 1pc 0,84kg

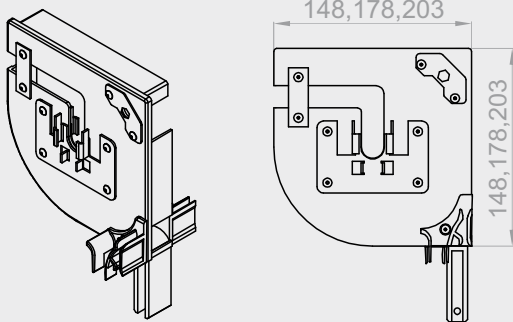


### BPR 130 VVV-XX

Division of RL2000 box for double guide, dependent drive.  
VVV - box size, XX - color.

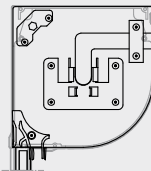


RL2000	BOX 150,180,205	
150 1pc 0,32kg	180 1pc 0,40kg	205 1pc 0,49kg

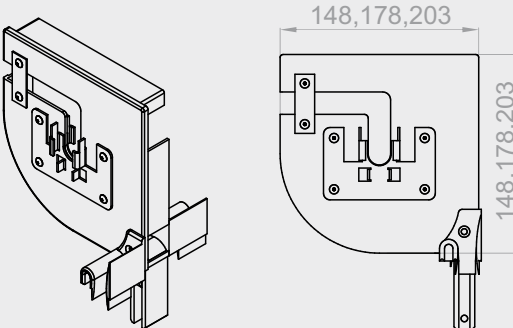


### BPR 230 VVV-XX

Division of RL2000 box with mosquito net for double guide, dependent drive.  
VVV - box size, XX - color.

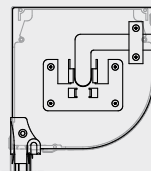


RL2000	BOX 150,180,205	
150 1pc 0,32kg	180 1pc 0,40kg	205 1pc 0,49kg

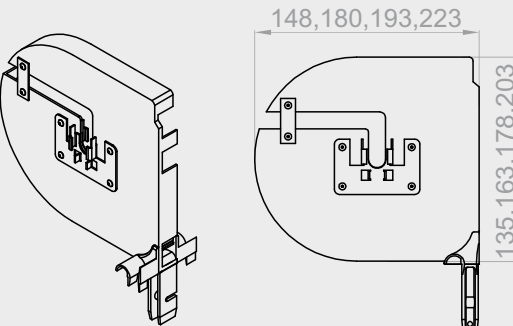


### BPR 330 VVV-XX

Division of RL2000 box with PA-52 profile for double guide, dependent drive.  
VVV - box size, XX - color.

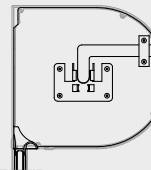


RL2000	BOX 150,180,205	
150 1pc 0,32kg	180 1pc 0,40kg	205 1pc 0,49kg

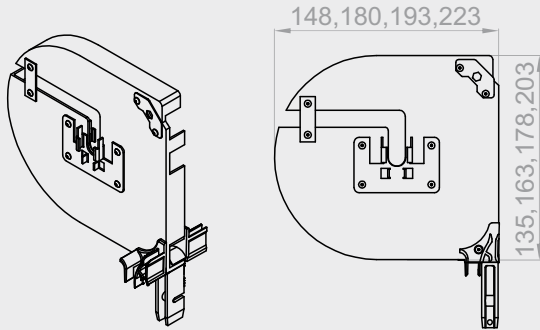


### BPO 130 VVV-XX

Division of OS2000, OL2000 boxes for double guide, dependent drive.  
VVV - box size, XX - color.

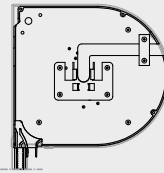


OS2000 OL2000	BOX 137,165 180,205	137 1pc 0,32kg
165 1pc 0,39kg	180 1pc 0,45kg	205 1pc 0,54kg

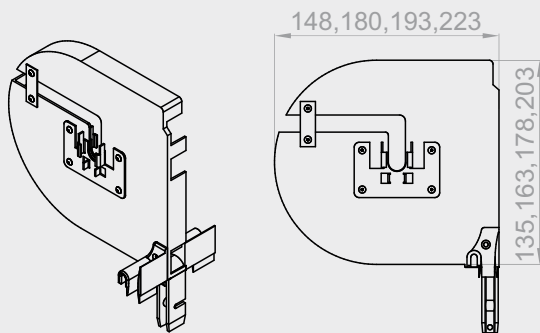


### BPO 230 VVV-XX

Division of OS2000 box with mosquito net, OL2000 with mosquito net for double guide, dependent drive. VVV - box size, XX - color.

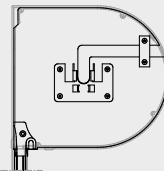


OS2000 OL2000	BOX 165 180,205	1pc 0,39kg	1pc 0,45kg	1pc 0,54kg
------------------	-----------------------	---------------	---------------	---------------

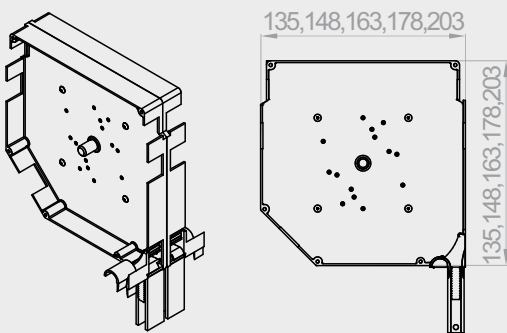


### BPO 330 VVV-XX

Division of OS2000, OL2000 boxes with PA-52 profile for double guide, dependent drive. VVV - box size, XX - color.

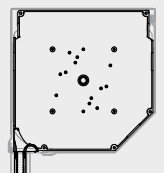


OS2000 OL2000	BOX 137,165 180,205	1pc 0,32kg	1pc 0,39kg	1pc 0,45kg	1pc 0,54kg
------------------	---------------------------	---------------	---------------	---------------	---------------

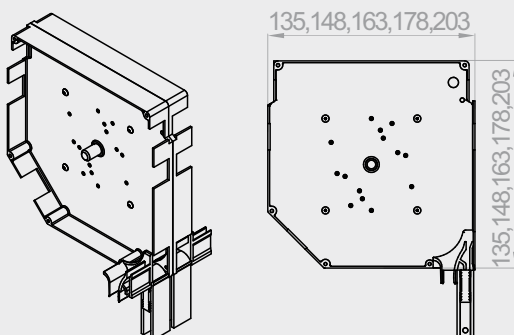


### BPS 100 VVV-XX

Division of ST2000, IT2000 boxes for two single guides, independent drive. VVV - box size, XX - color.

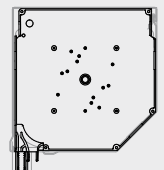


ST2000 IT2000	BOX 137,150, 165,180,205	1pc 0,42kg	1pc 0,47kg	1pc 0,54kg	1pc 0,62kg	1pc 0,78kg
------------------	--------------------------------	---------------	---------------	---------------	---------------	---------------

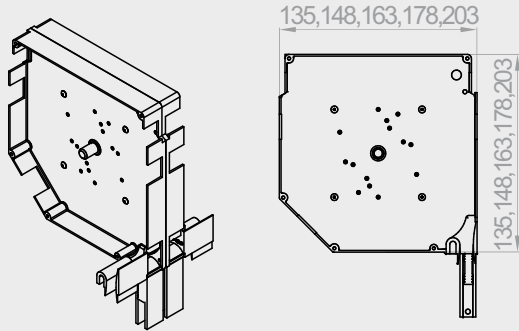


### BPS 200 VVV-XX

Division of ST2000 box with mosquito net, IT2000 with mosquito net for two single guides, independent drive. VVV - box size, XX - color.

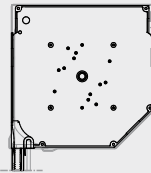


ST2000 IT2000	BOX 150,165, 180,205	1pc 0,47kg	1pc 0,54kg	1pc 0,62kg	1pc 0,78kg
------------------	----------------------------	---------------	---------------	---------------	---------------

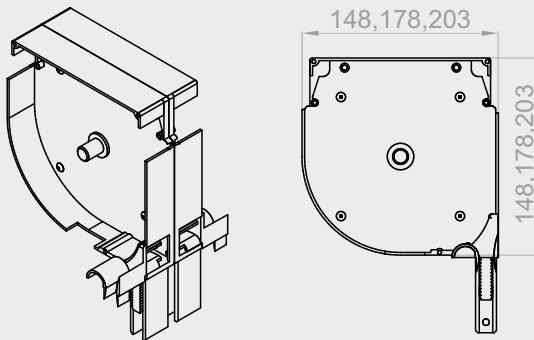


### BPS 300 VVV-XX

Division of ST2000, IT2000 boxes with PA-52 profile for two single guides, independent drive.  
VVV - box size, XX - color.

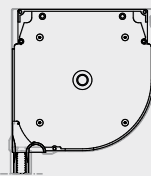


ST2000 IT2000	BOX 137,150, 165,180,205	137 1pc 0,42kg
150 1pc 0,47kg	165 1pc 0,53kg	180 1pc 0,62kg
		205 1pc 0,78kg

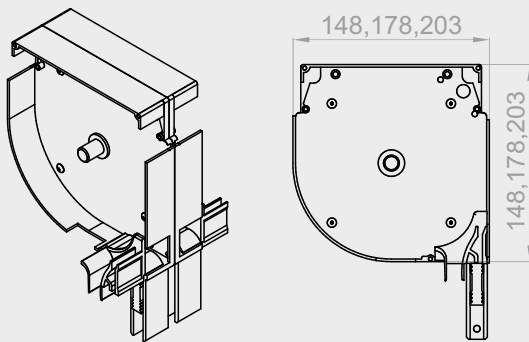


### BPR 100 VVV-XX

Division of RL2000 box for two single guides, independent drive.  
VVV - box size, XX - color.

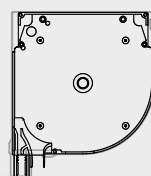


RL2000	BOX 150,180,205
150 1pc 0,48kg	180 1pc 0,65kg
	205 1pc 0,83kg

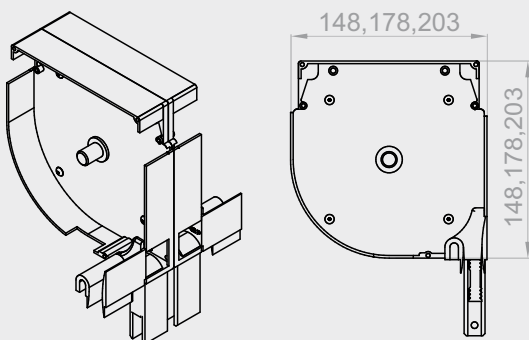


### BPR 200 VVV-XX

Division of RL2000 box with mosquito net for two single guides, independent drive.  
VVV - box size, XX - color.

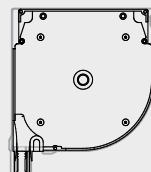


RL2000	BOX 150,180,205
150 1pc 0,48kg	180 1pc 0,65kg
	205 1pc 0,83kg

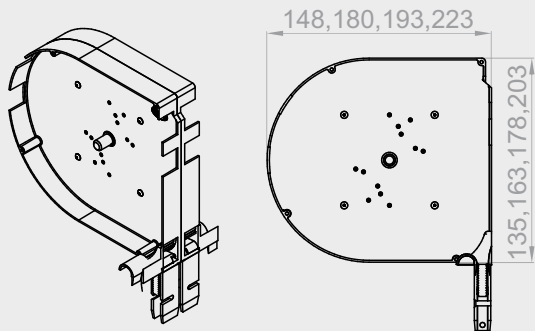


### BPR 300 VVV-XX

Division of RL2000 box with PA-52 profile for two single guides, independent drive.  
VVV - box size, XX - color.

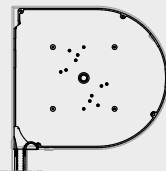


RL2000	BOX 150,180,205
150 1pc 0,48kg	180 1pc 0,65kg
	205 1pc 0,83kg

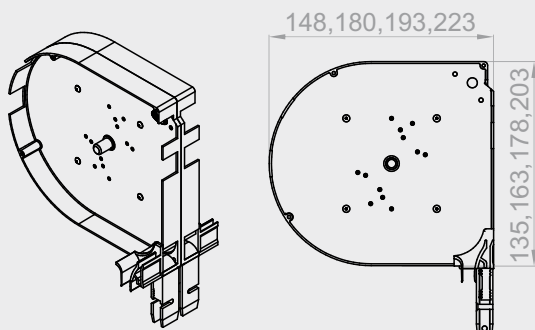


### BPO 100 VVV-XX

Division of OS2000, OL2000 boxes for two single guides, independent drive.  
VVV - box size, XX - color.

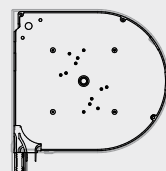


OS2000 OL2000	BOX 137,165 180,205	137 1pc 0,37kg
165 1pc 0,54kg	180 1pc 0,67kg	205 1pc 0,84kg

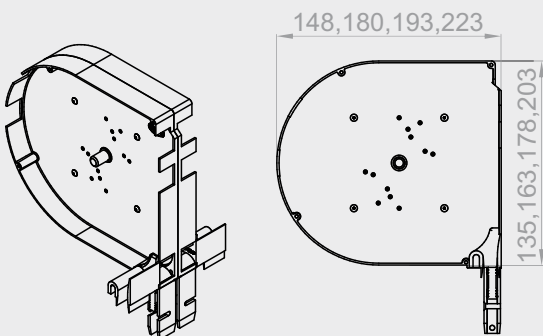


### BPO 200 VVV-XX

Division of OS2000 box with mosquito net, OL2000 with mosquito net for two single guides, independent drive.  
VVV - box size, XX - color.

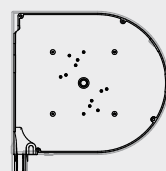


OS2000 OL2000	BOX 165 180,205	165 1pc 0,54kg	180 1pc 0,67kg	205 1pc 0,84kg
------------------	-----------------------	----------------------	----------------------	----------------------

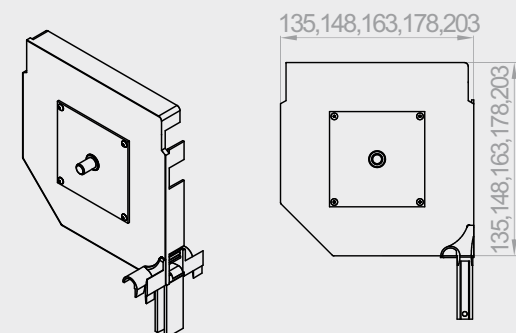


### BPO 300 VVV-XX

Division of OS2000, OL2000 boxes with PA-52 profile for two single guides, independent drive.  
VVV - box size, XX - color.

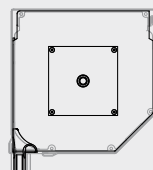


OS2000 OL2000	BOX 137,165 180,205	137 1pc 0,37kg
165 1pc 0,54kg	180 1pc 0,67kg	205 1pc 0,84kg



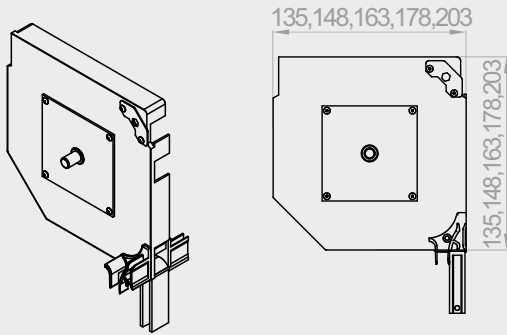
### BPS 120 VVV-XX

Division of ST2000, IT2000 boxes for double guide, independent drive.  
VVV - box size, XX - color.



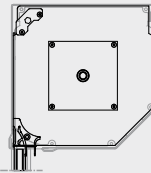
ST2000 IT2000	BOX 137,150 165,180,205	137 1pc 0,34kg	
150 1pc 0,35kg	165 1pc 0,4kg	180 1pc 0,44kg	205 1pc 0,52kg



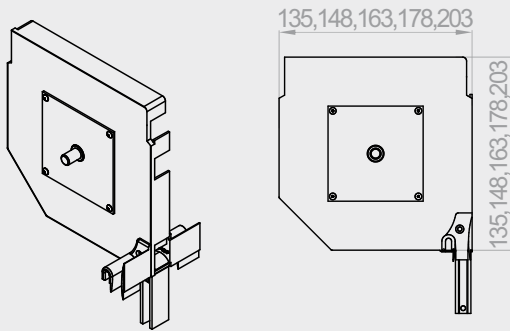


### BPS 220 VVV-XX

Division of ST2000 box with mosquito net, IT2000 with mosquito net for double guide, independent.  
VVV - box size, XX - color.

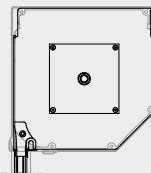


ST2000 IT2000	BOX 150,165, 180,205	150 1pc 0,37kg
165 1pc 0,42kg	180 1pc 0,46kg	205 1pc 0,55kg

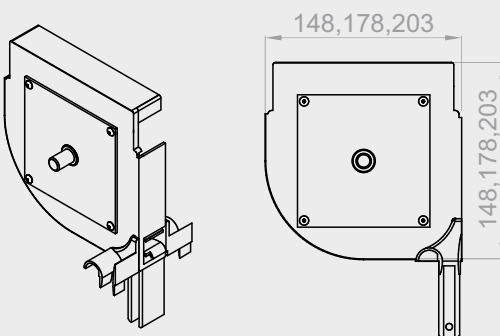


### BPS 320 VVV-XX

Division of ST2000, IT2000 boxes with PA-52 profile for double guide, independent drive.  
VVV - box size, XX - color.

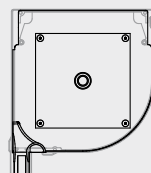


ST2000 IT2000	BOX 137,150, 165,180,205	137 1pc 0,34kg
150 1pc 0,35kg	165 1pc 0,4kg	180 1pc 0,44kg
		205 1pc 0,52kg

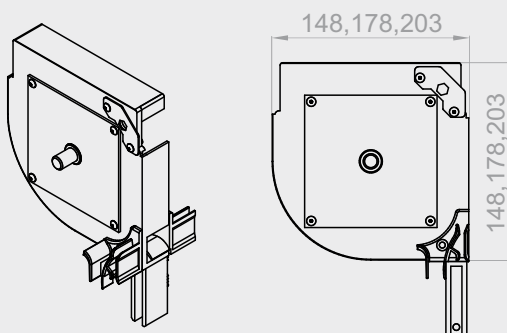


### BPR 120 VVV-XX

Division of RL2000 box for double guide, independent drive.  
VVV - box size, XX - color.

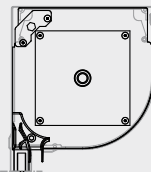


RL2000	BOX 150,180,205	150 1pc 0,35kg
		180 1pc 0,45kg
		205 1pc 0,55kg

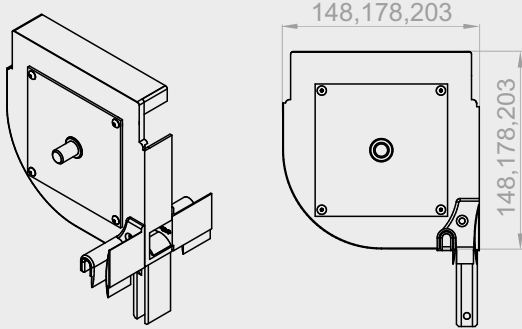


### BPR 220 VVV-XX

Division of RL2000 box with mosquito net for double guide, independent drive.  
VVV - box size, XX - color.

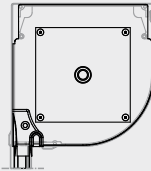


RL2000	BOX 150,180,205	150 1pc 0,36kg
		180 1pc 0,45kg
		205 1pc 0,55kg

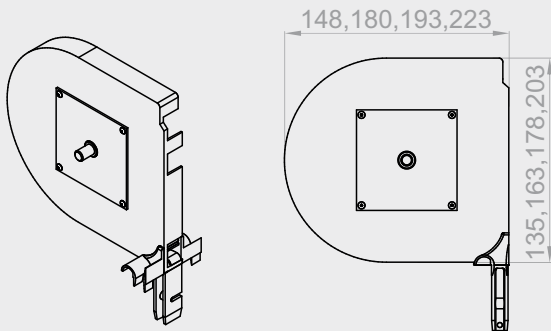


### BPR 320 VVV-XX

Division of RL2000 box with PA-52 profile for double guide, independent drive.  
VVV - box size, XX - color.

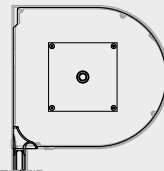


<b>RL2000</b>	<b>BOX</b> 150,180,205
150 1pc 0,35kg	180 1pc 0,45kg
	205 1pc 0,55kg

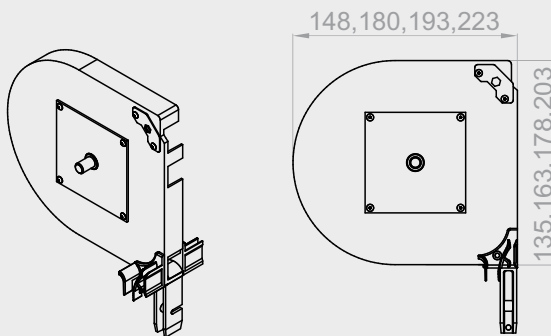


### BPO 120 VVV-XX

Division of OS2000, OL2000 boxes for double guide, independent drive.  
VVV - box size, XX - color.

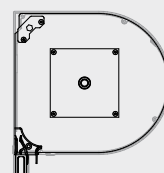


<b>OS2000</b> <b>OL2000</b>	<b>BOX</b> 137,165 180,205	137 1pc 0,32kg
165 1pc 0,4kg	180 1pc 0,46kg	205 1pc 0,51kg

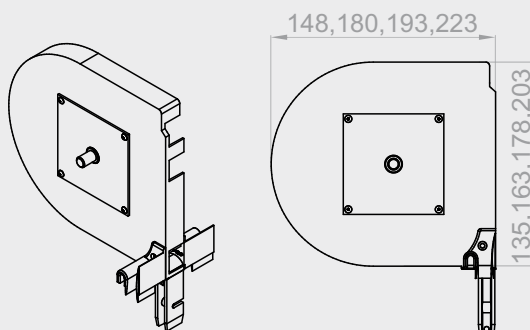


### BPO 220 VVV-XX

Division of OS2000 box with mosquito net, OL2000 with mosquito net for double guide, independent.  
VVV - box size, XX - color.

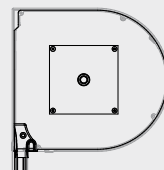


<b>OS2000</b> <b>OL2000</b>	<b>BOX</b> 165 180,205
165 1pc 0,4kg	180 1pc 0,46kg
	205 1pc 0,51kg



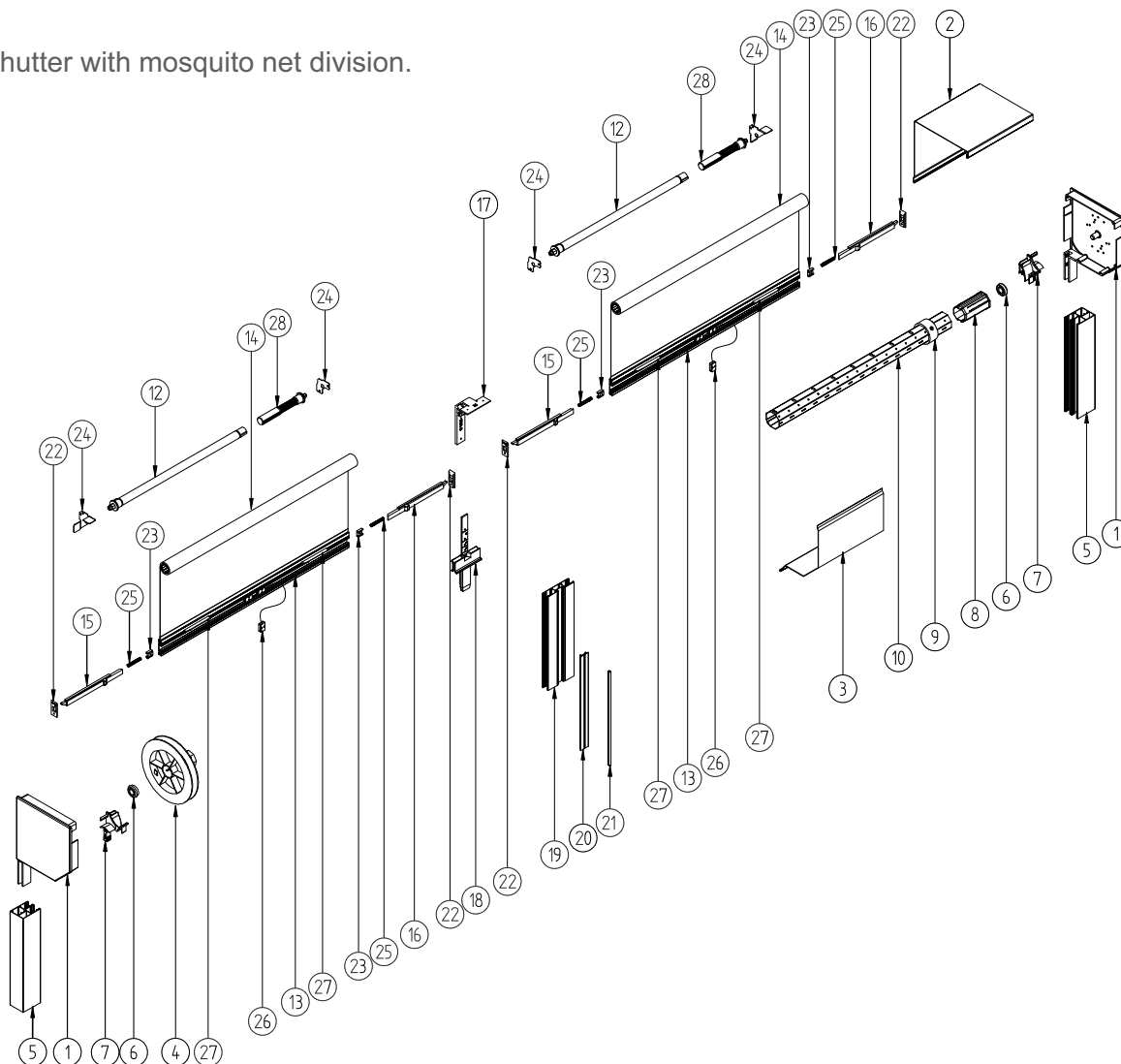
### BPO 320 VVV-XX

Division of OS2000, OL2000 boxes with PA-52 profile for double guide, independent drive.  
VVV - box size, XX - color.



<b>OS2000</b> <b>OL2000</b>	<b>BOX</b> 137,165 180,205	137 1pc 0,32kg
165 1pc 0,4kg	180 1pc 0,46kg	205 1pc 0,51kg

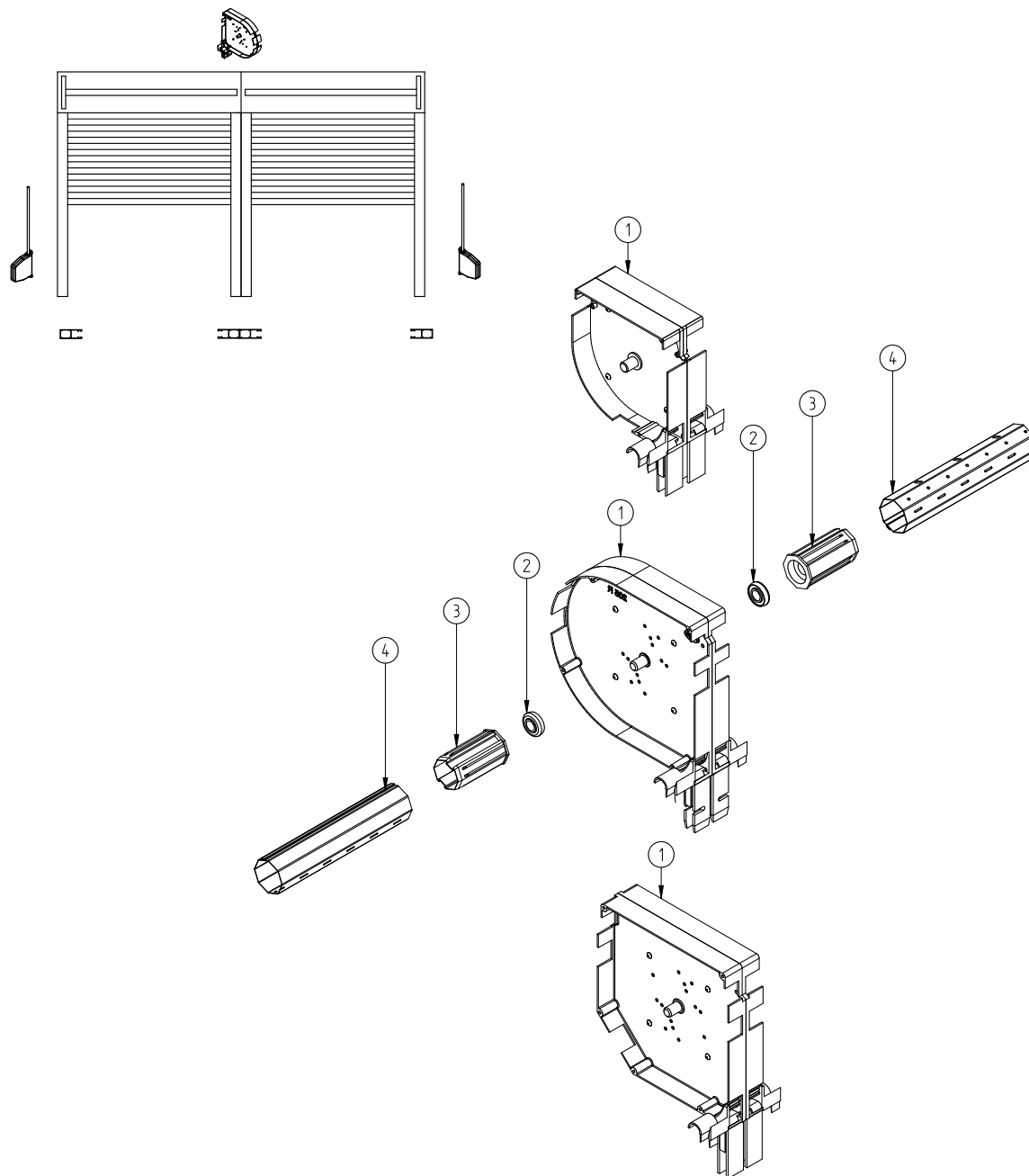
Roller shutter with mosquito net division.



1	BS-150 L/R BS-165 L/R BS-180 L/R BS-205 L/R	Side of the box ST2000 150 Side of the box ST2000 165 Side of the box ST2000 180 Side of the box ST2000 205	10.	SW40 SW60	Octagonal pipe ø 40 Octagonal pipe ø 60
2	SK-150G SK-165G SK-180G SK-205G	Box ST2000 150 top Box ST2000 165 top Box ST2000 180 top Box ST2000 205 top	11.	M-RZ-040	Handle for front mounted roller shutter mosquito net
3	SK-150DM SK-165DM SK-180DM SK-205DM	Box ST2000 150 bottom for mosquito net Box ST2000 165 bottom for mosquito net Box ST2000 180 bottom for mosquito net Box ST2000 205 bottom for mosquito net	12.	M-RZ-200 M-RZ-210	Mosquito net spring Slowing system for mosquito net in the front mounted roller shutter
4	KNO-40-150 KNO-40-165 KNO-40-205	Wheel of the roller for box 150 Wheel of the roller for box 165 Wheel of the roller for box 205	13.	LDM-41x8 CH	Bottom lath for mosquito net
5	PPDM-53	ALU double guide for mosquito net	14.	MOS FI23 1,7 MOS FI23 2,6	Mosquito net on the pipe ø 23 1,7 Mosquito net on the pipe ø 23 2,6
6	LO 28/12	Bearing for ALU	15.	M-RW-170-02 L	Bottom lath latch for the mosquito net left
7	SPPM L/P	Profile blade slider	16.	M-RW-170-02 P	Bottom lath latch for the mosquito net rights
8	OBS-40 OBS-60	Mounting for ø 40 pipe Mounting for ø 60 pipe	17.	PMA-G	Adaption division of the mosquito net - top
9	PZ40/50 PZ60/70	Expansion ring Expansion ring	18.	PMA-D	Adaption division of the mosquito net - bottom
			19.	PPMP-79	Double division guide for mosquito net
			20.	ZSKW	Guide end cap with a channel for a gasket
			21.	KA-44 B	Rubber gasket for LD-35 mini
			22.	M-RW-180	Latch clip
			23.	M-RW-200	Latch lock in the bottom lath of the mosquito net
			24.	M-RZ-060	Handle for division in front mounted roller shutter mosquito net
			25.	M-RN-070	Spring for cassette's latch
			26.	MZW-050	Cord handle in the bottom lath of the mosquito net
			27.	M-RW-080	Bottom lath handle of the mosquito net
			28.	ABS CZ	Slowing system for mosquito net

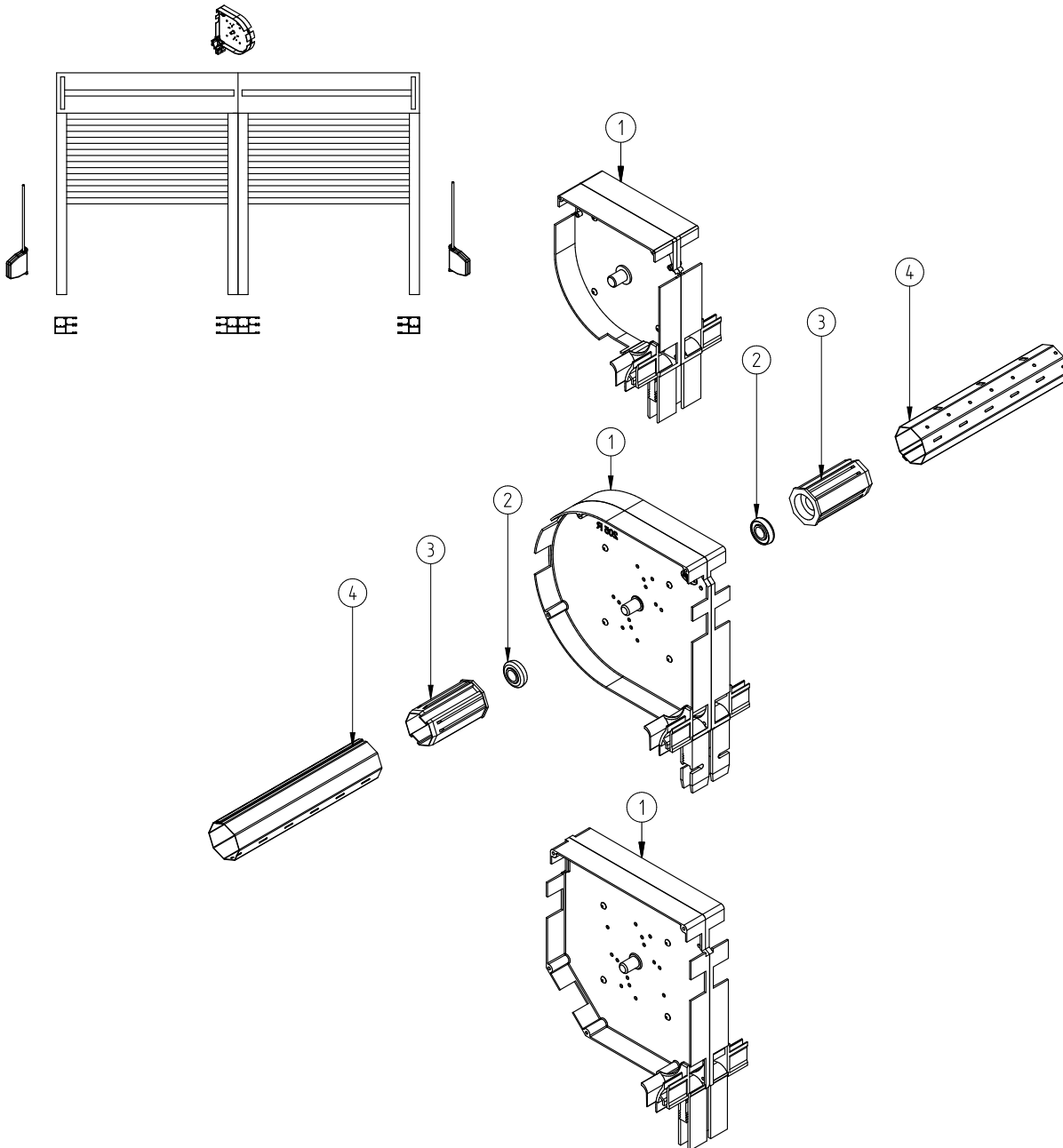
## Components for front mounted roller shutter system Assembly drawings - divisions

Division for two single guides in a roller shutter with independent drive.



1	BPS 100	Division of ST2000/IT2000 box
	BPR 100	Division of RL2000 box
	BPO 100	Division of OS2000/OL2000 box
2	LO 28/12	Bearing for front mounted roller shutter boxes
3	OBS-40/78	Mounting 40/78 for aluminium
	OBS-60/78	Mounting 60/78 for aluminium
4	SW 40	Octagonal pipe $\varnothing 40$
	SW 60	Octagonal pipe $\varnothing 60$

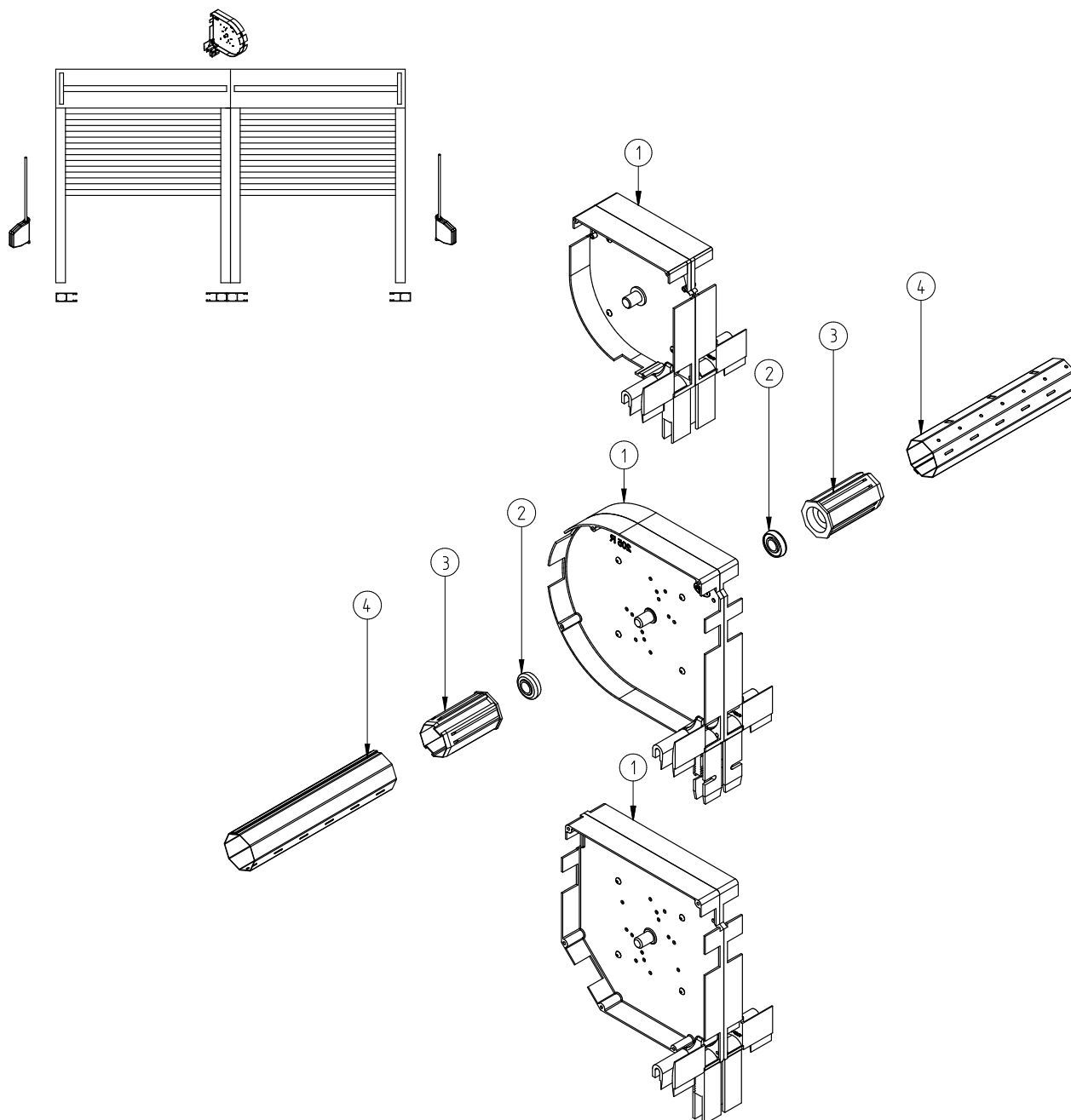
Division for two single guides in a roller shutter with mosquito net and independent drive.



1	BPS 200	Division of ST2000/IT2000 box with mosquito net
	BPR 200	Division of RL2000 box with mosquito net
	BPO 200	Division of OS2000/OL2000 box with mosquito net
2	LO 28/12	Bearing for front mounted roller shutter boxes $\varnothing 60$
3	OBS-40/78	Mounting 40/78 for aluminium
	OBS-60/78	Mounting 60/78 for aluminium
4	SW 40	Octagonal pipe $\varnothing 40$
	SW 60	Octagonal pipe $\varnothing 60$

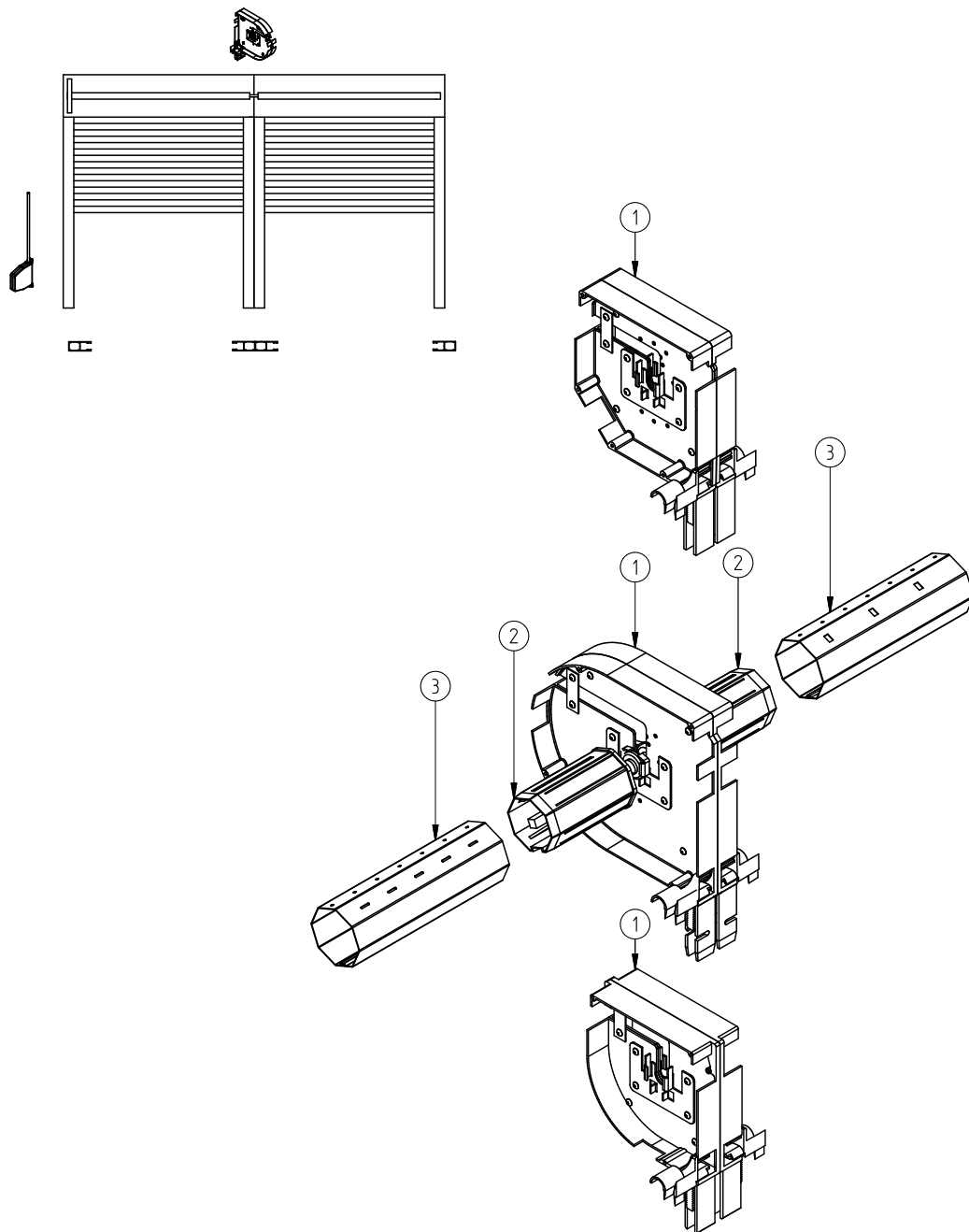
## Components for front mounted roller shutter system Assembly drawings - divisions

Division for two single guides in a roller shutter with PA-52 curtain and independent drive.



1	BPS 300	Division of ST2000/IT2000 box for PA-52 curtain
	BPR 300	Division of RL2000 box for PA-52 curtain
	BPO 300	Division of OS2000/OL2000 box for PA-52 curtain
2	LO 28/12	Bearing for front mounted roller shutter boxes $\varnothing 60$
3	OBS-40/78	Mounting 40/78 for aluminium
	OBS-60/78	Mounting 60/78 for aluminium
4	SW 40	Octagonal pipe $\varnothing 40$
	SW 60	Octagonal pipe $\varnothing 60$

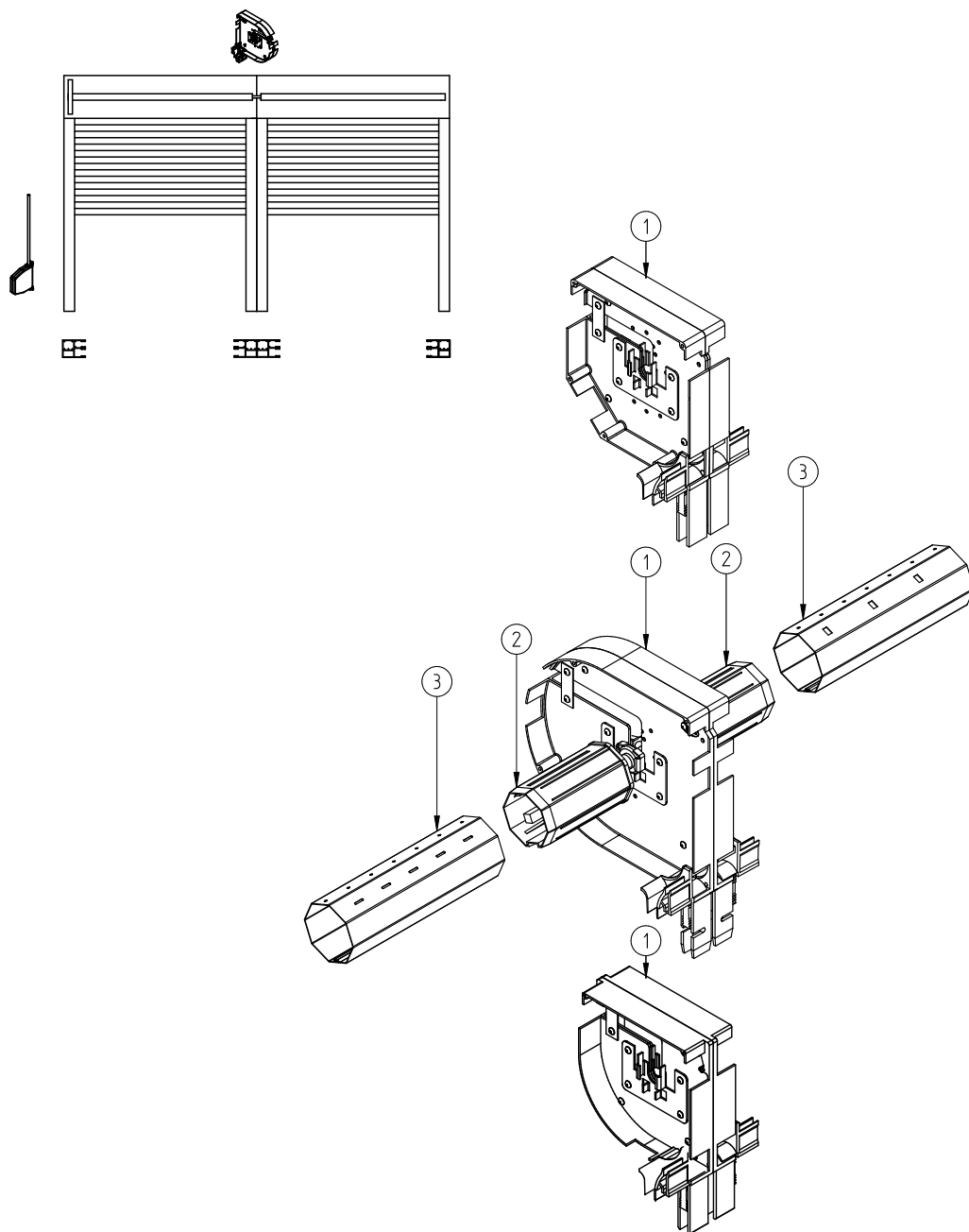
Division for two single guides in a roller shutter with dependent drive.



1	BPS 110	Division of ST2000/IT2000 box
	BPR 110	Division of RL2000 box
	BPO 110	Division of OS2000/OL2000 box
2	RKZ 34	Round bolt for $\varnothing 40$ pipe
	RKZ 35	Round bolt for $\varnothing 60$ pipe
3	SW 40	Octagonal pipe $\varnothing 40$
	SW 60	Octagonal pipe $\varnothing 60$

## Components for front mounted roller shutter system Assembly drawings - divisions

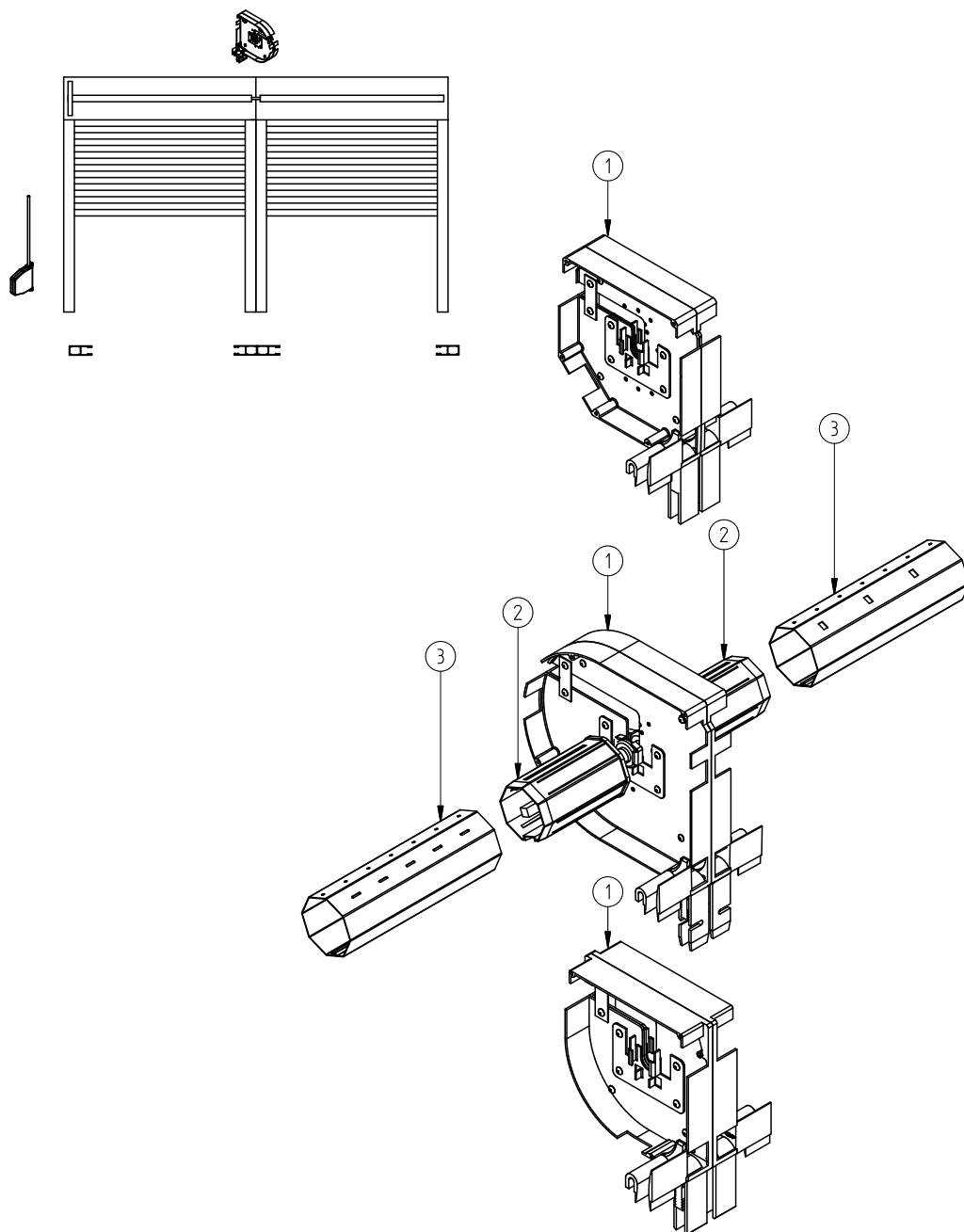
Division for two single guides in a roller shutter with mosquito net and dependent drive.



1	BPS 210	Division of ST2000/IT2000 box with mosquito net
	BPR 210	Division of RL2000 box with mosquito net
	BPO 210	Division of OS2000/OL2000 box with mosquito net
2	RKZ 34	Round bolt for $\varnothing 40$ pipe
	RKZ 35	Round bolt for $\varnothing 60$ pipe
3	SW 40	Octagonal pipe $\varnothing 40$
	SW 60	Octagonal pipe $\varnothing 60$



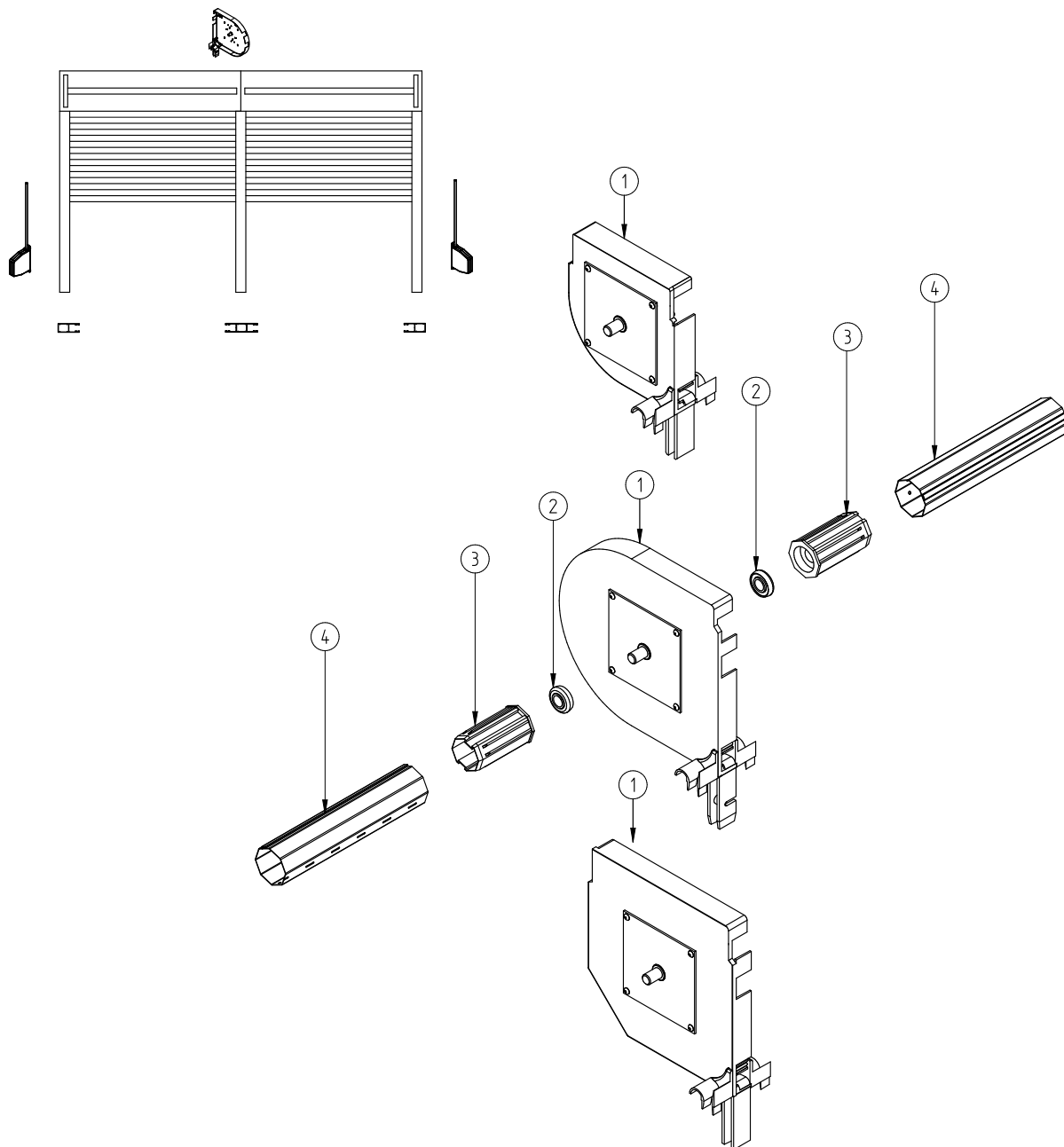
Division for two single guides in a roller shutter with PA-52 curtain and dependent drive.



1	BPS 310	Division of ST2000/IT2000 box for PA-52 curtain
	BPR 310	Division of RL2000 box for PA-52 curtain
	BPO 310	Division of OS2000/OL2000 box for PA-52 curtain
2	RKZ 34	Round bolt for $\varnothing 40$ pipe
	RKZ 35	Round bolt for $\varnothing 60$ pipe
3	SW 40	Octagonal pipe $\varnothing 40$
	SW 60	Octagonal pipe $\varnothing 60$

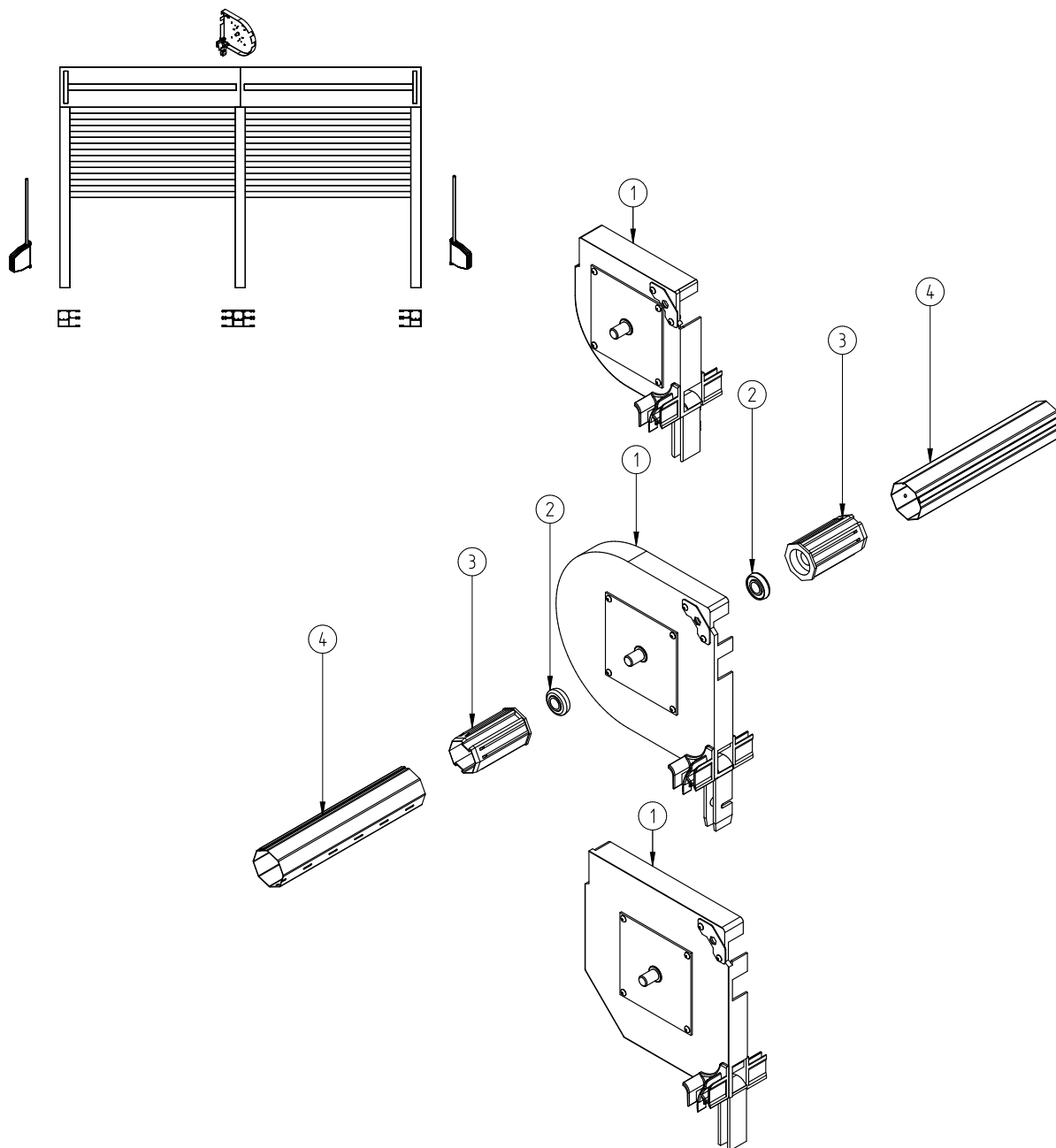
## Components for front mounted roller shutter system Assembly drawings - divisions

Division for a double guide in a roller shutter with independent drive.



1	BPS 120	Division of ST2000/IT2000 box
	BPR 120	Division of RL2000 box
	BPO 120	Division of OS2000/OL2000 box
2	LO 28/12	Bearing for front mounted roller shutter boxes $\varnothing 60$
3	OBS-40/78	Mounting 40/78 for aluminium
	OBS-60/78	Mounting 60/78 for aluminium
4	SW 40	Octagonal pipe $\varnothing 40$
	SW 60	Octagonal pipe $\varnothing 60$

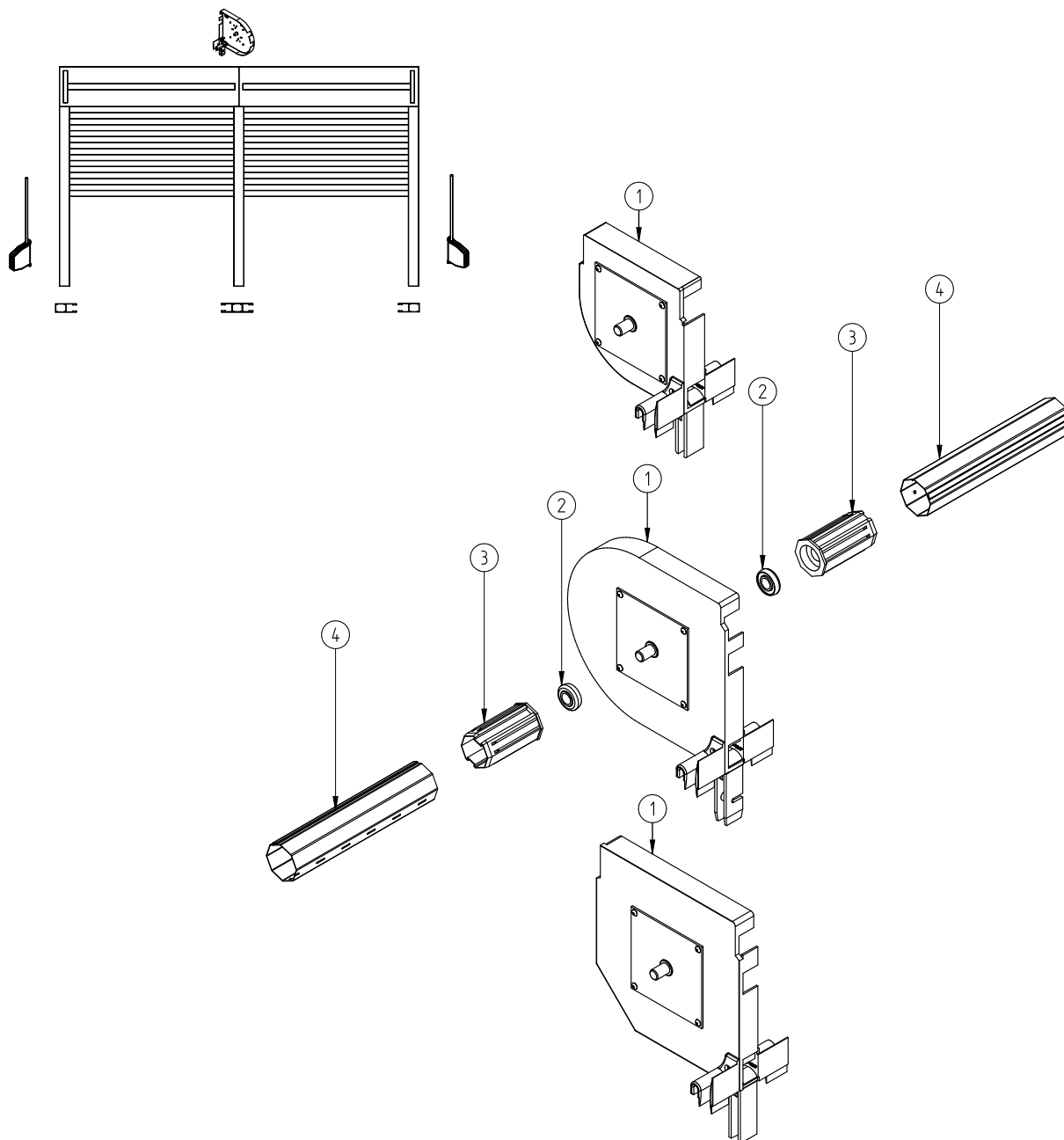
Division for a double guide in a roller shutter with mosquito net and independent drive.



1	BPS 220 BPR 220 BPO 220	Division of ST2000/IT2000 box with mosquito net Division of RL2000 box with mosquito net Division of OS2000/OL2000 box with mosquito net
2	LO 28/12	Bearing for front mounted roller shutter boxes $\varnothing 60$
3	OBS-40/78 OBS-60/78	Mounting 40/78 for aluminium Mounting 60/78 for aluminium
4	SW 40 SW 60	Octagonal pipe $\varnothing 40$ Octagonal pipe $\varnothing 60$

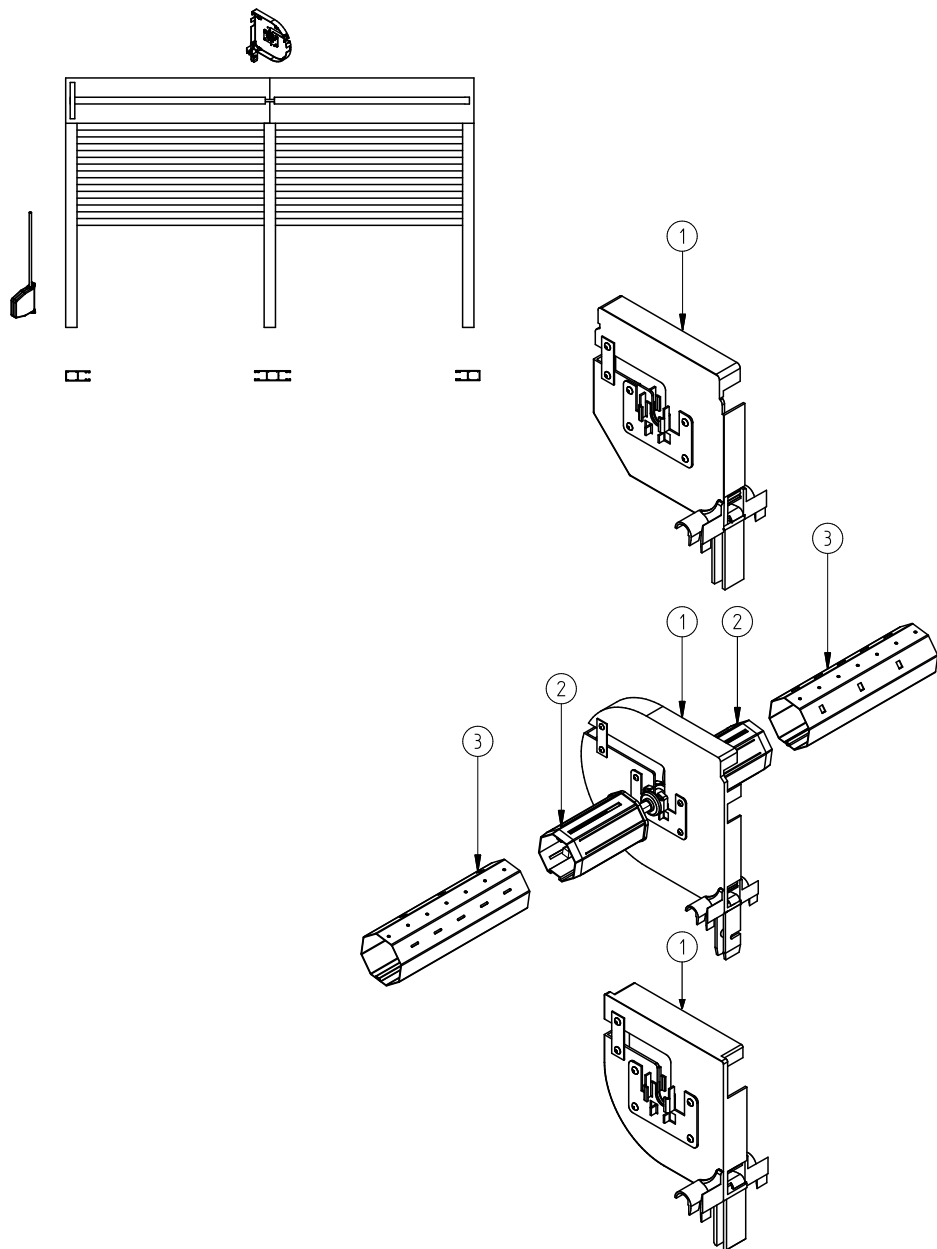
## Components for front mounted roller shutter system Assembly drawings - divisions

Division for a double guide in a roller shutter with PA-52 curtain and independent drive.



1	BPS 320 BPR 320 BPO 320	Division of ST2000/IT2000 box for PA-52 curtain Division of RL2000 box for PA-52 curtain Division of OS2000/OL2000 box for PA-5 curtain
2	LO 28/12	Bearing for front mounted roller shutter boxes $\varnothing 60$
3	OBS-40/78 OBS-60/78	Mounting 40/78 for aluminium Mounting 60/78 for aluminium
4	SW 40 SW 60	Octagonal pipe $\varnothing 40$ Octagonal pipe $\varnothing 60$

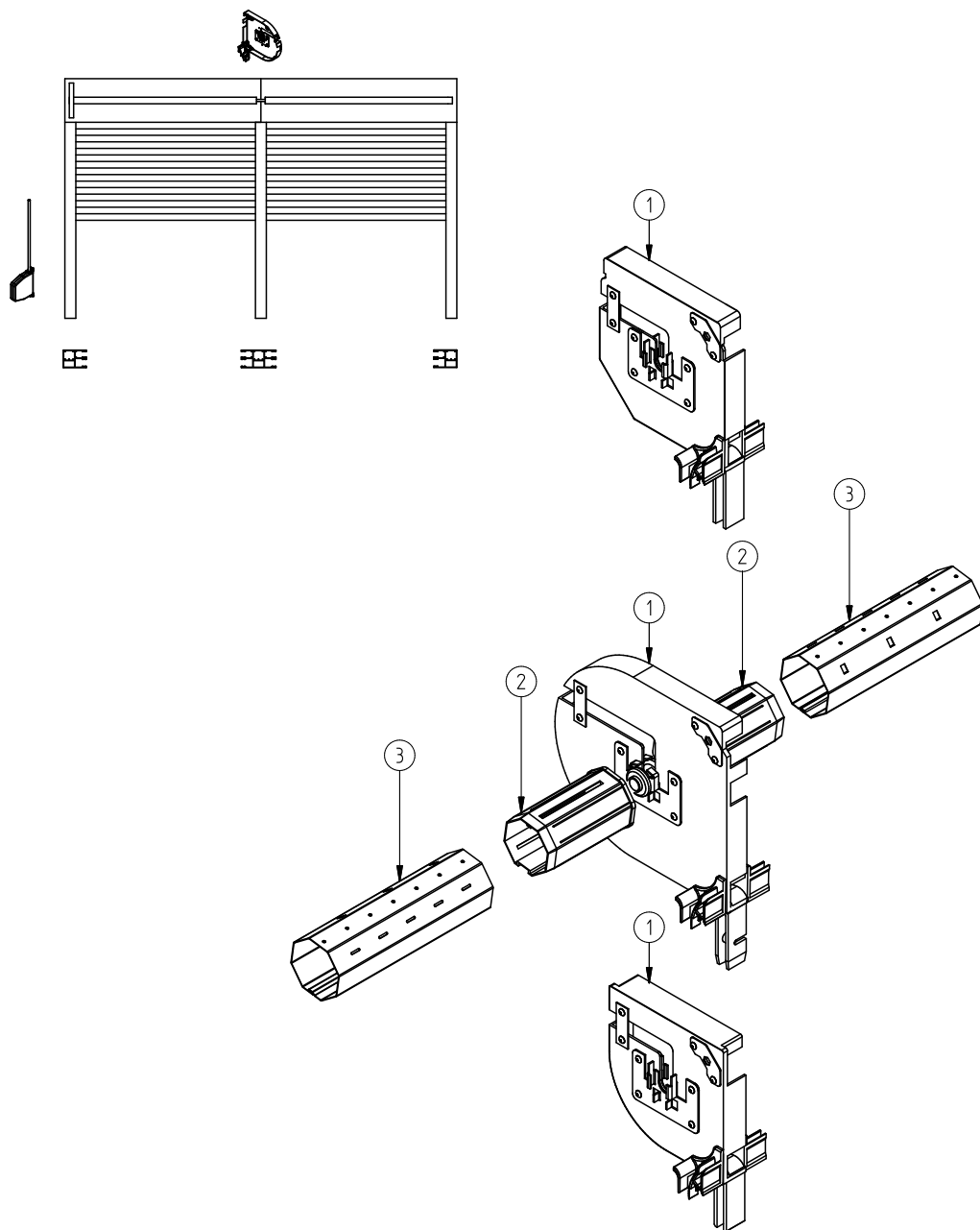
Division for a double guide in a roller shutter with dependent drive.



1	BPS 130	Division of ST2000/IT2000 box
	BPR 130	Division of RL2000 box
	BPO 130	Division of OS2000/OL2000 box
2	RKZ 34	Round bolt for ø40 pipe
	RKZ 35	Round bolt for ø60 pipe
3	SW 40	Octagonal pipe ø40
	SW 60	Octagonal pipe ø60

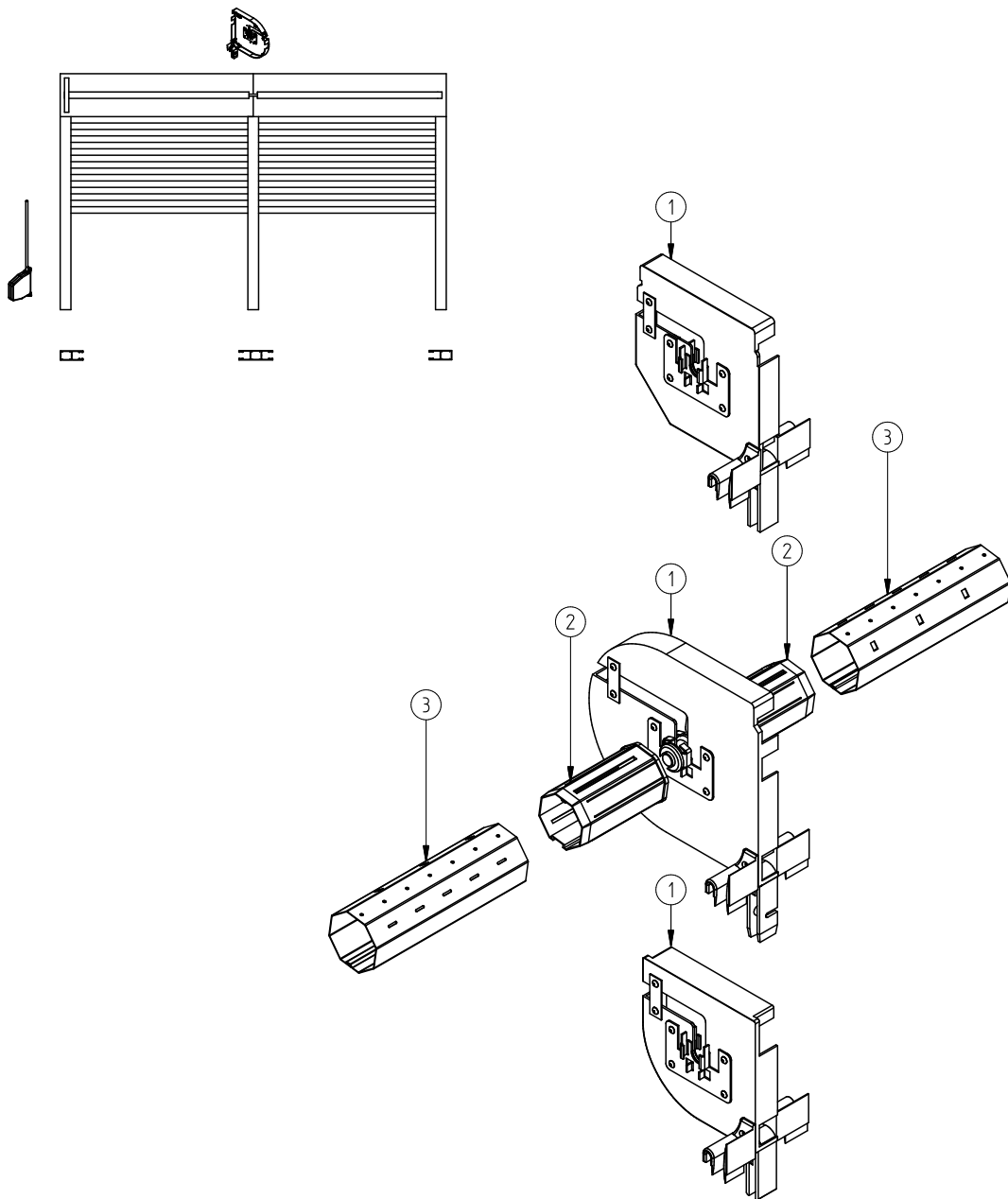
## Components for front mounted roller shutter system Assembly drawings - divisions

Division for a double guide in a roller shutter with mosquito net and dependent drive.



1	BPS 230	Division of ST2000/IT2000 box with mosquito net
	BPR 230	Division of RL2000 box with mosquito net
	BPO 230	Division of OS2000/OL2000 box with mosquito net
2	RKZ 34	Round bolt for $\varnothing 40$ pipe
	RKZ 35	Round bolt for $\varnothing 60$ pipe
3	SW 40	Octagonal pipe $\varnothing 40$
	SW 60	Octagonal pipe $\varnothing 60$

Division for a double guide in a roller shutter with PA-52 curtain and dependent drive.



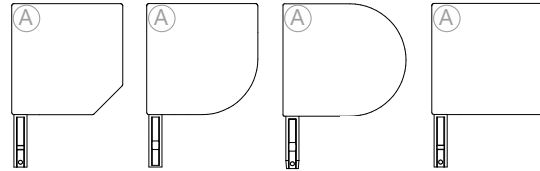
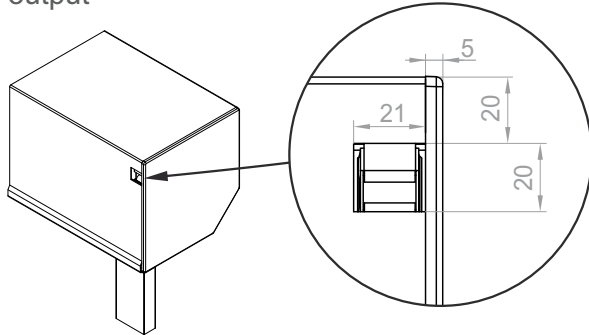
1	BPS 330	Division of ST2000/IT2000 box for PA-52 curtain
	BPR 330	Division of RL2000 box for PA-52 curtain
	BPO 330	Division of OS2000/OL2000 box for PA-52 curtain
2	RKZ 34	Round bolt for $\varnothing 40$ pipe
	RKZ 35	Round bolt for $\varnothing 60$ pipe
3	SW 40	Octagonal pipe $\varnothing 40$
	SW 60	Octagonal pipe $\varnothing 60$

# Components for front mounted roller shutter system

## Output of the tape

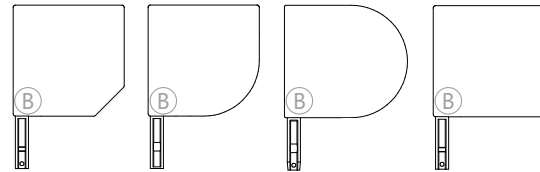
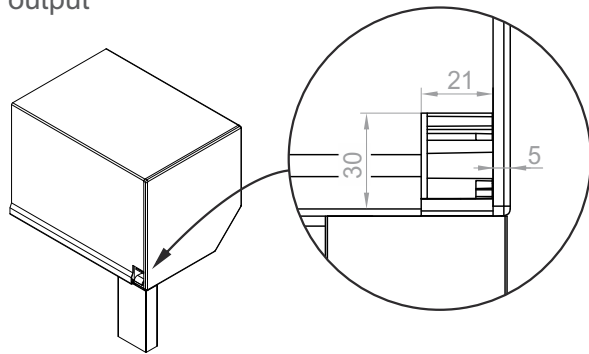
Dimensioning diagram of the output of the tape from the aluminium box.

### A output

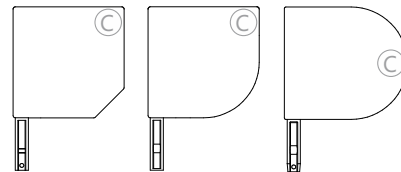
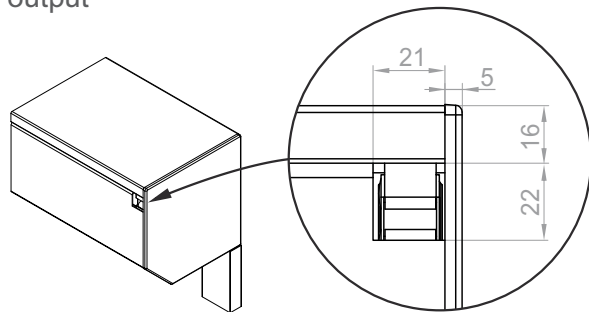


*In OL2000 roller shutters, A output can only be used with electric drives.*

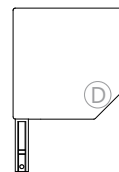
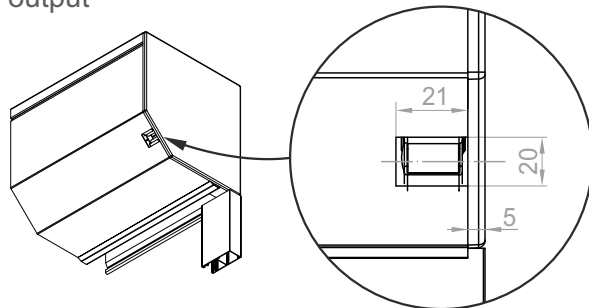
### B output



### C output



### D output

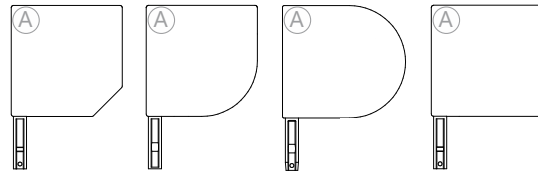
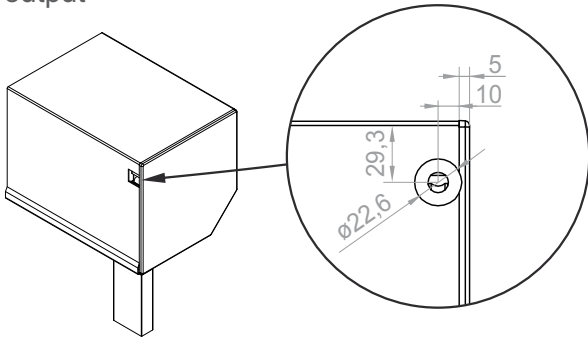


*If the output of the tape is not specified in the order, as standard B output will be accepted for A and B type roller shutter and C output for C type roller shutter.*



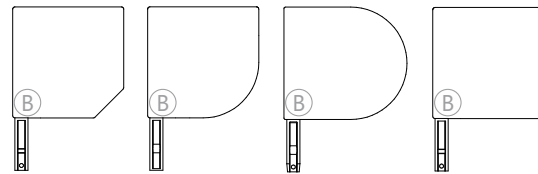
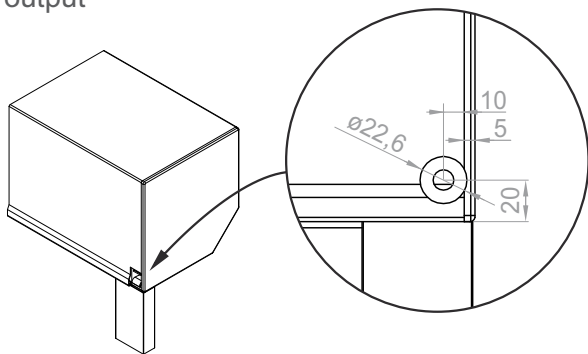
Dimensioning scheme of the output of the cord, cable from an aluminium box.

**A output**

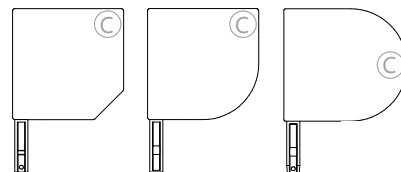
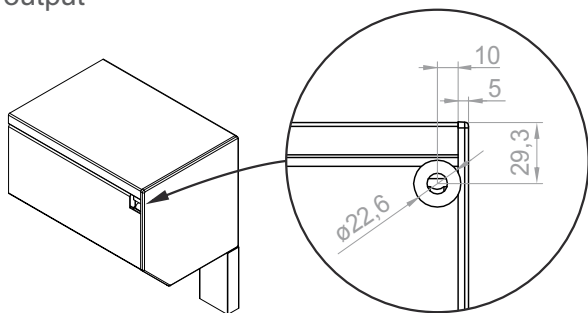


*In OL2000 roller shutters, A output can only be used with electric drives.*

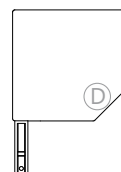
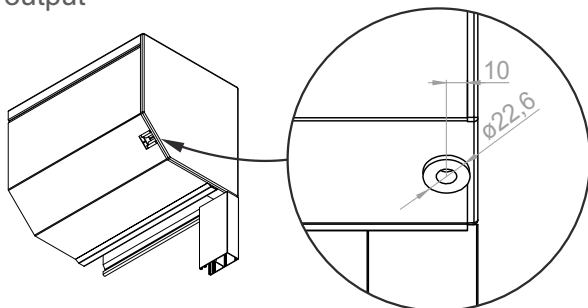
**B output**



**C output**

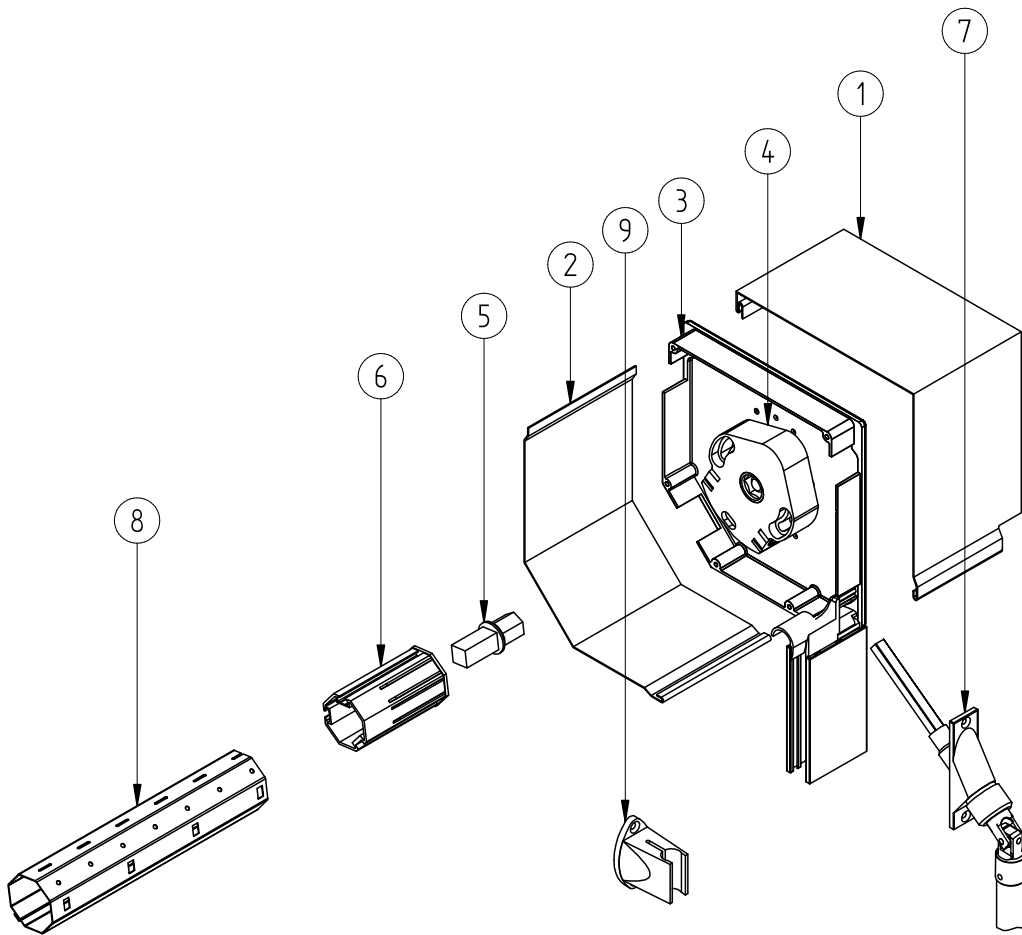


**D output**

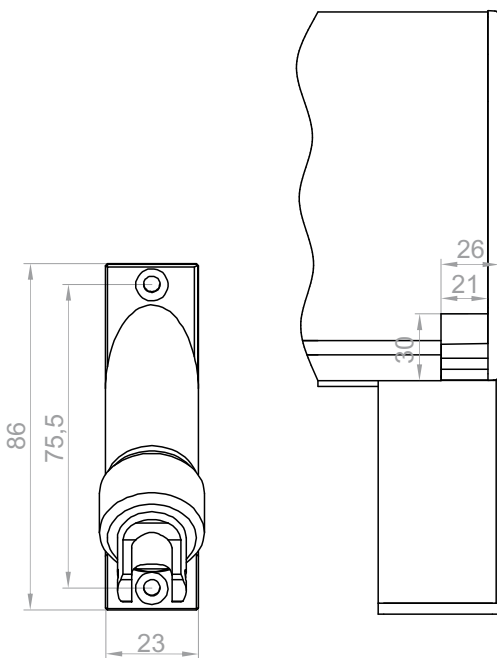


*If the output of the cord is not specified in the order, as standard B output will be accepted for A and B type roller shutter and C output for C type roller shutter.*

## Components for front mounted roller shutter system Assembly drawings - crank lifting mechanism



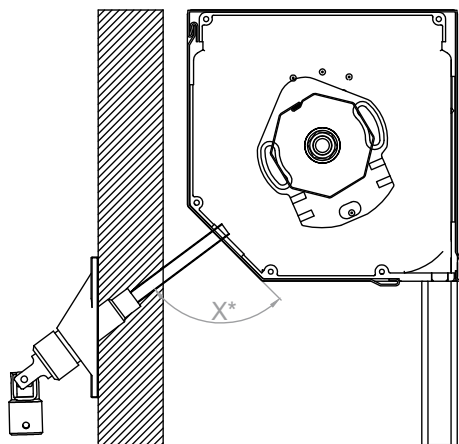
NOTE – roller shutters with crank lifting mechanism drive with cardan joint cannot be equipped with automatic bolts.



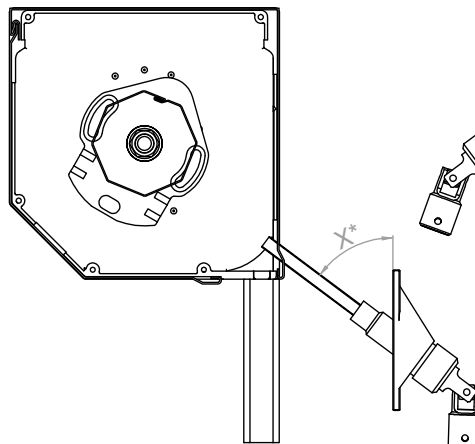
- |                 |  |
|-----------------|--|
| 1. Box - top    | (depending on the system ST2000, OS2000, OL2000, RL2000) |
| 2. Box - bottom | (depending on the system ST2000, OS2000, OL2000, RL2000) |
| 3. Box side     | (depending on the system ST2000, OS2000, OL2000, RL2000) |
| 4. ACE-1-11     | Crank mechanism ACE 1:11 to 32 kg                        |
| ACE-1-8         | Crank mechanism ACE 1:8 to 22 kg                         |
| 5.              | ACE Mounting pin - included with the ACE mechanism       |
| 6. OBS-40-ACE   | Mounting 40 for ACE mechanism                            |
| OBS-60-ACE      | Mounting 60 for ACE mechanism                            |
| 7. KRH-90/1500  | Cardan with crank 1500 mm                                |
| 8. SW 40        | Octagonal pipe 40 mm                                     |
| SW 60           | Octagonal pipe 60 mm                                     |
| 9. U-KRD        | Wall handle for cardan crank                             |

Adjustment of the crank with cardan joint in the roller shutter box.

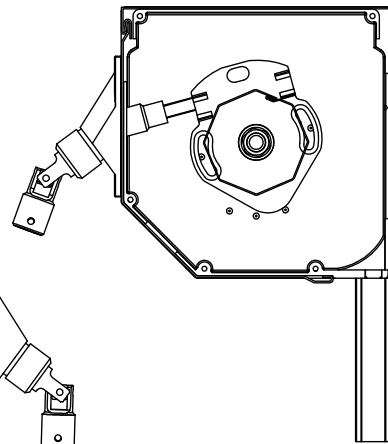
**ST2000<sup>®</sup>**  
D output



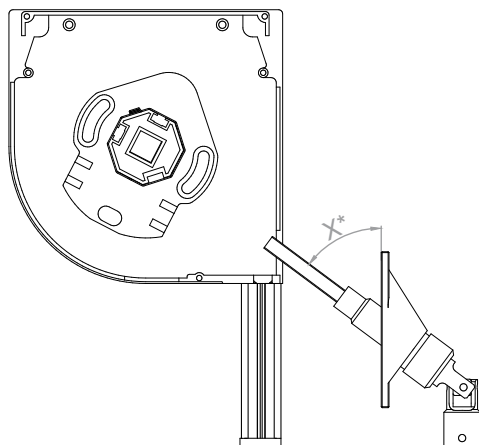
**ST2000<sup>®</sup>**  
B output



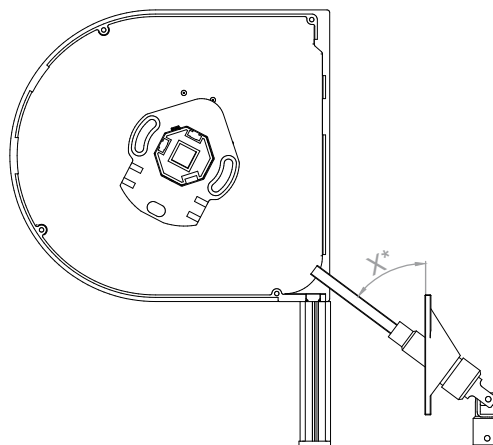
**ST2000<sup>®</sup>**  
Unusual output, mounting the crank  
on the inspection cover.



**RL2000<sup>®</sup>**  
B output



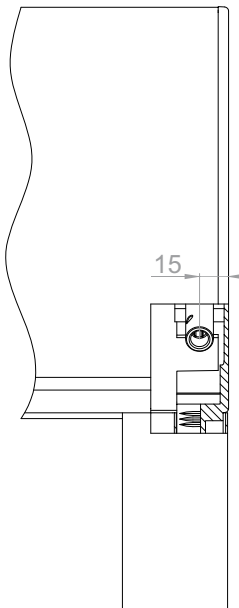
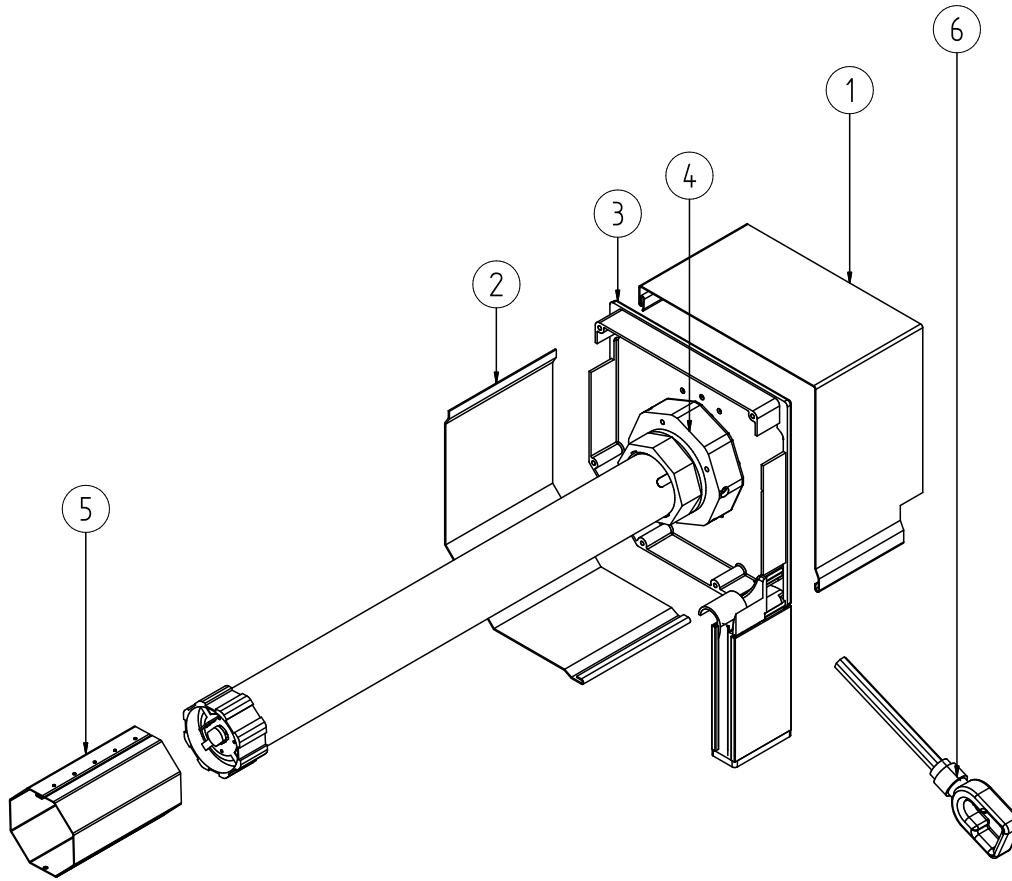
**OS2000<sup>®</sup>, OL2000<sup>®</sup>**  
B output



\* - Inclination angle of the crank depends on the size of the box and the place where the crank is installed.  
In the IT2000 roller shutters there is no crank mechanism with cardan gear.

In the case of roller shutters of the B or C type installation, equipped with a crank lifting mechanism, it is recommended to use expanding profiles at the windows.

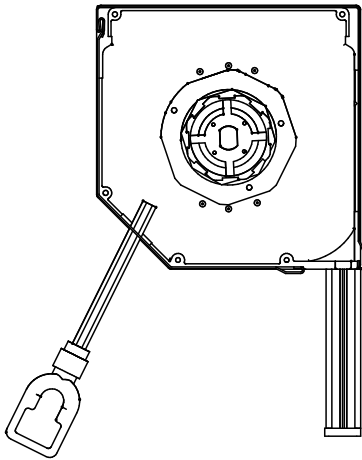
## Components for front mounted roller shutter system Assembly drawings - NHK installation



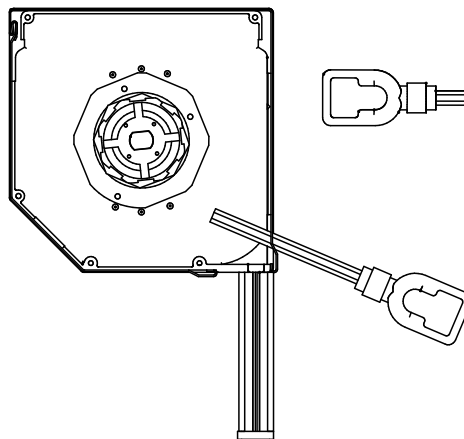
- |                 |  |
|-----------------|--|
| 1. Box - top    | (depending on the system ST2000, OS2000, OL2000, RL2000) |
| 2. Box - bottom | (depending on the system ST2000, OS2000, OL2000, RL2000) |
| 3. Box side     | (depending on the system ST2000, OS2000, OL2000, RL2000) |
| 4.              | NHK drive  |
| 5. SW 40        | Octagonal pipe 40 mm                                     |
| SW 60           | Octagonal pipe 60 mm                                     |
| 6. TZU-S        | Pin with eye for NHK drives                              |

Setting the NHK head in the front mounted roller shutter box.

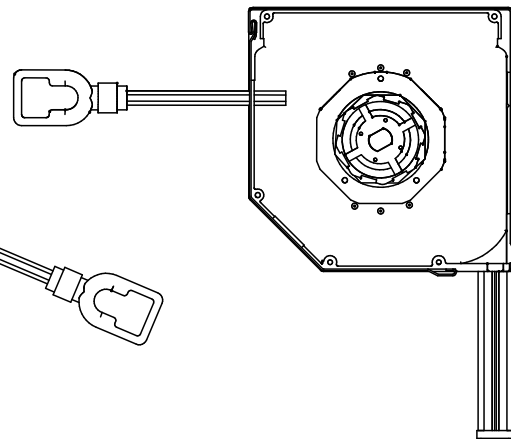
**ST2000®**  
D output



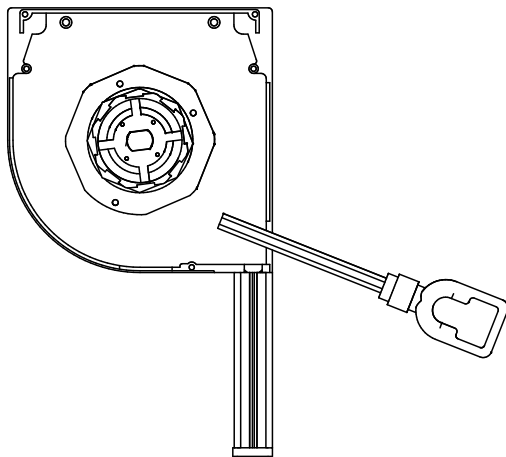
**ST2000®**  
B output



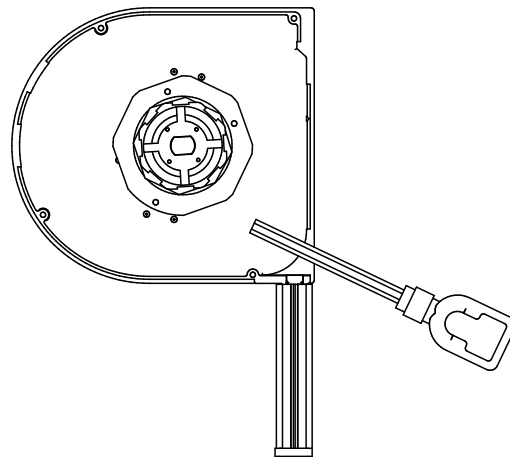
**ST2000®**  
Unusual output, mounting the  
crank on the inspection cover.



**RL2000®**  
B output



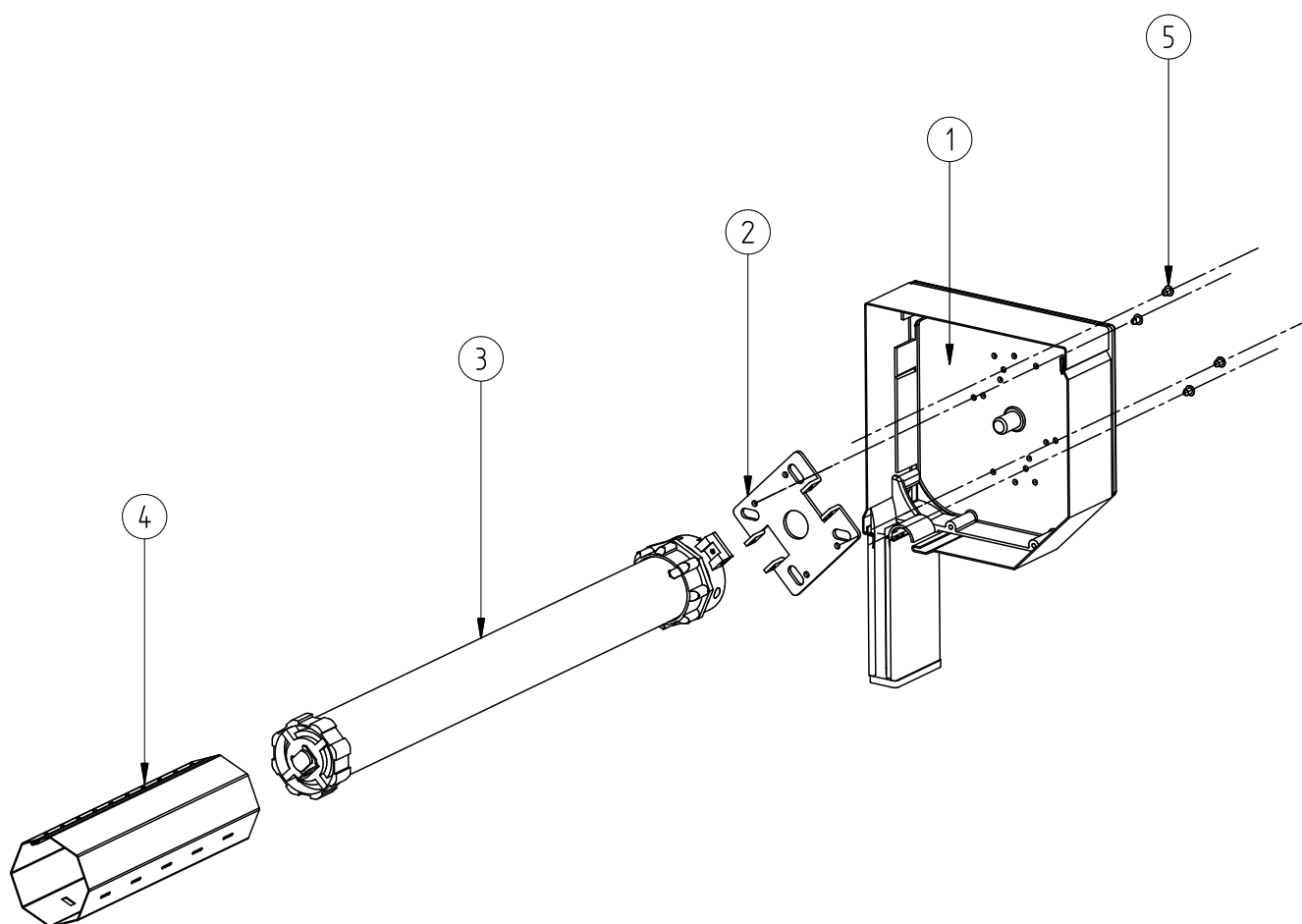
**OS2000®, OL2000®**  
B output



\* - The inclination angle of the pin output depends on the size of the box.  
In IT2000 roller shutters there is no emergency manual lifting mechanism

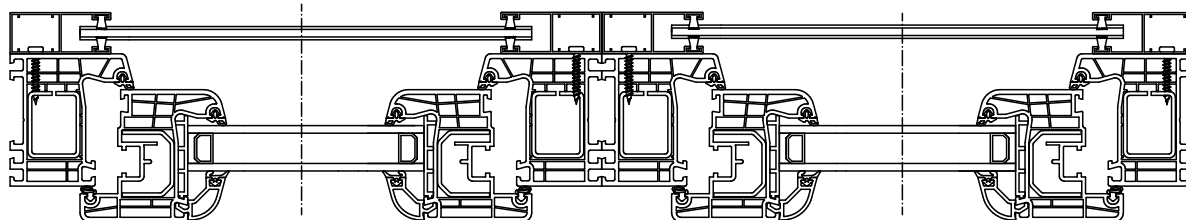
In the case of roller shutters of the B or C type installation, equipped with NHK drive, it is recommended to use expanding profiles at the windows.

## Components for front mounted roller shutter system Assembly drawings - installation of the motor

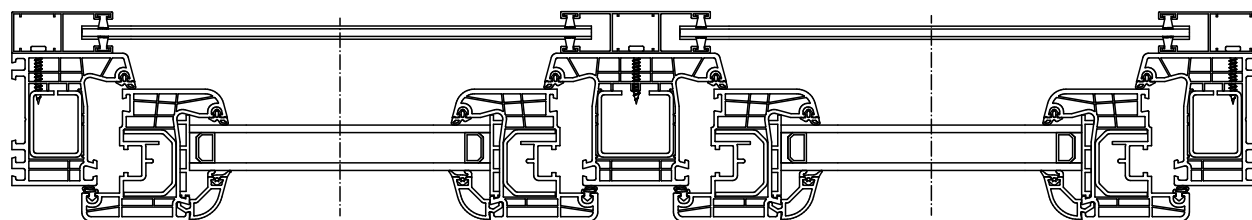


1	ST2000, RL2000, OS2000, OL2000, IT2000 front mounted roller shutter box
2	Handle for motor
3	Drive
4	SW 40      Octagonal pipe $\varnothing 40$ SW 60      Octagonal pipe $\varnothing 60$
5	4x8 rivets

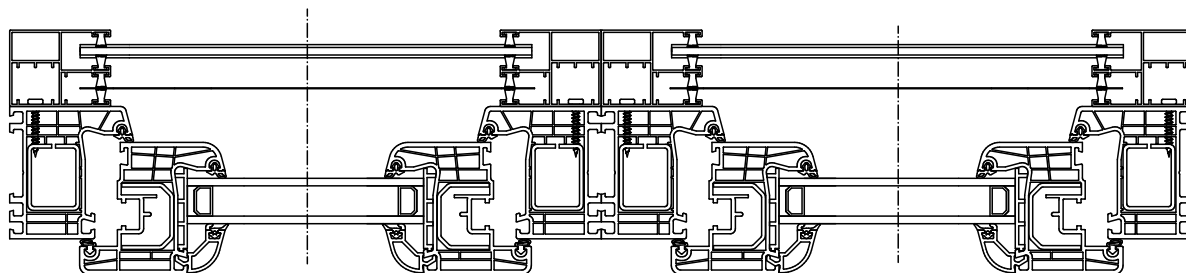
Installation of PP-53 straight guides - B type installation.



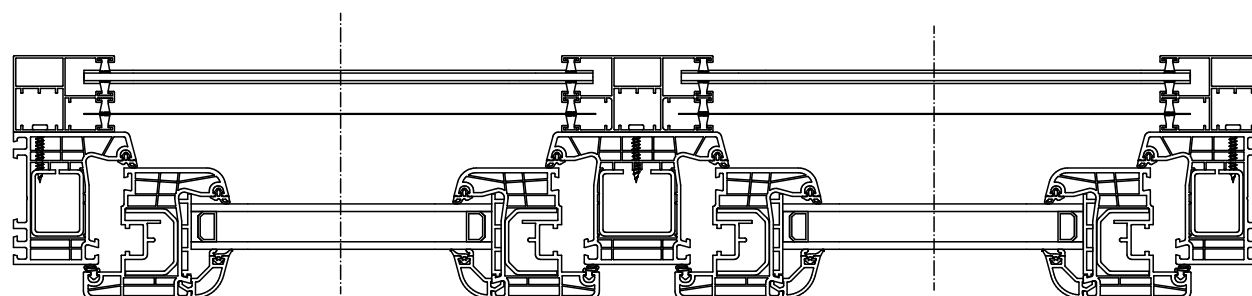
Installation of PP-53 straight guides and PPD-79 double guide - B type installation.



Installation of PPDM-53 guides - B type installation.

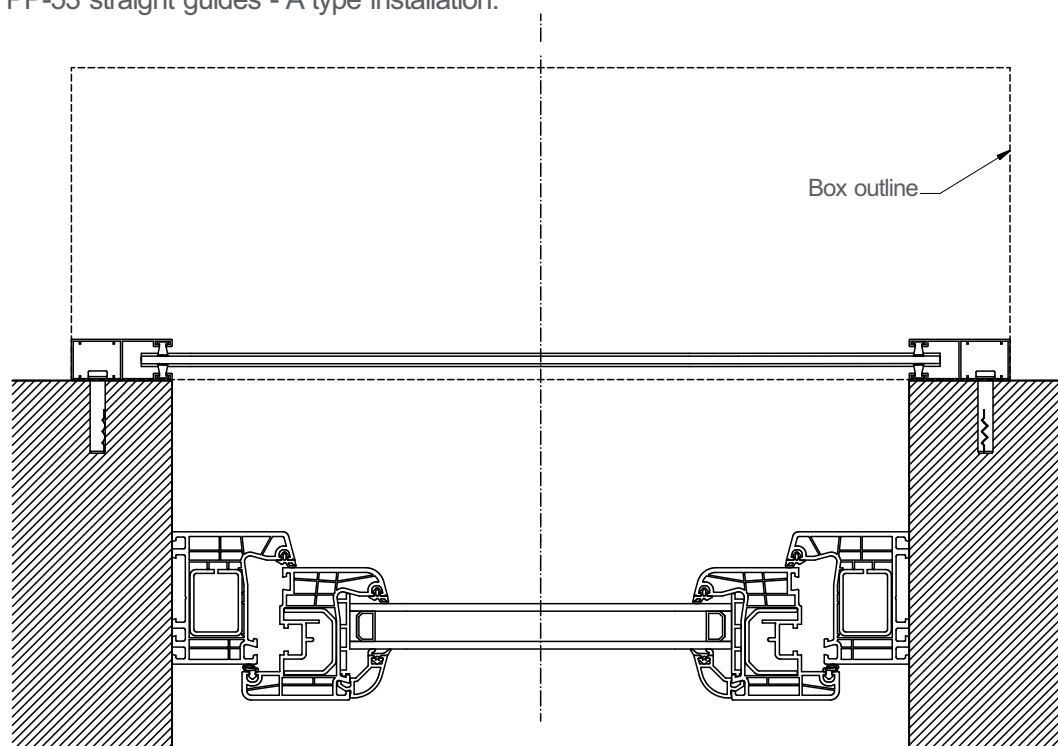


Installation of PPDM-53 guides and PPDM-80 double guide - B type installation.

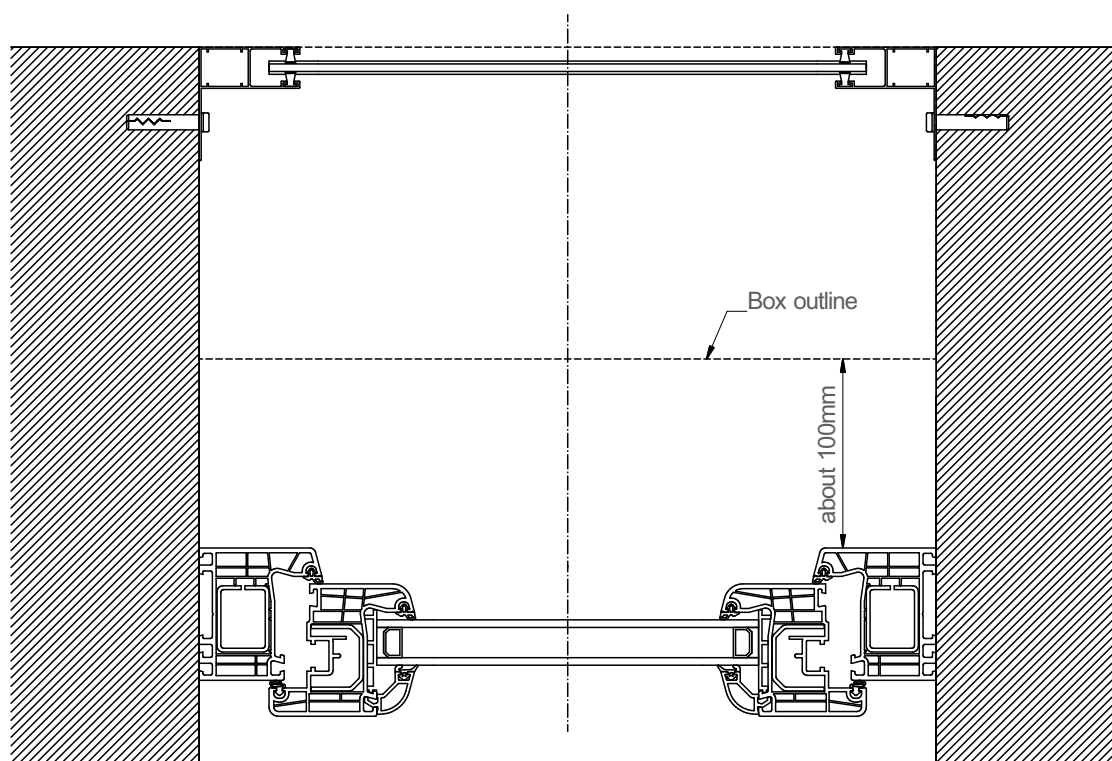


## Components for front mounted roller shutter system Assembly drawings - installation of guides

Installation of PP-53 straight guides - A type installation.

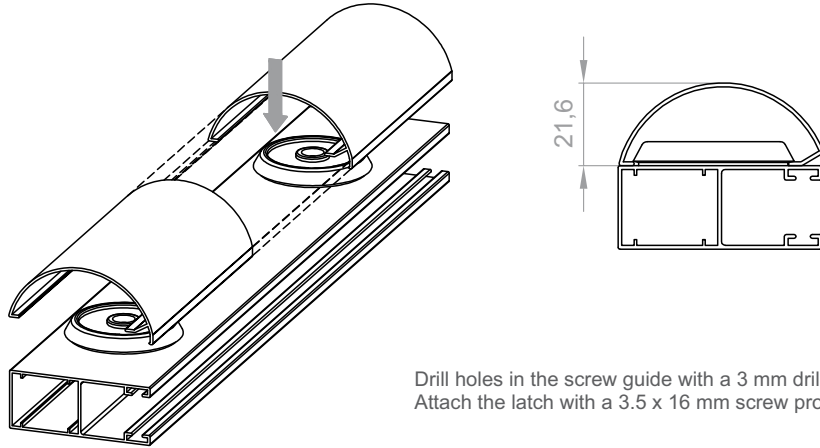


Installation of PK-53 corner guides - C type installation.

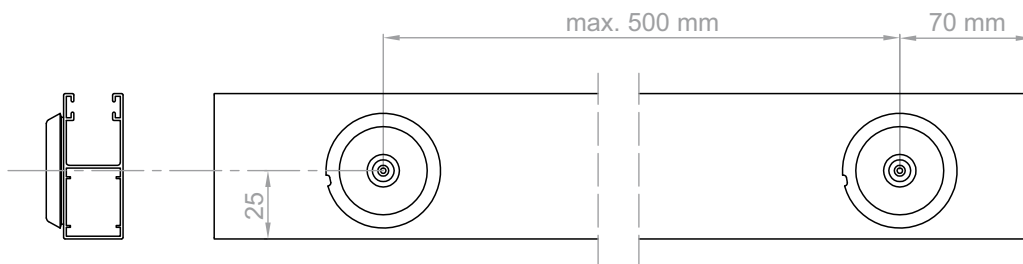




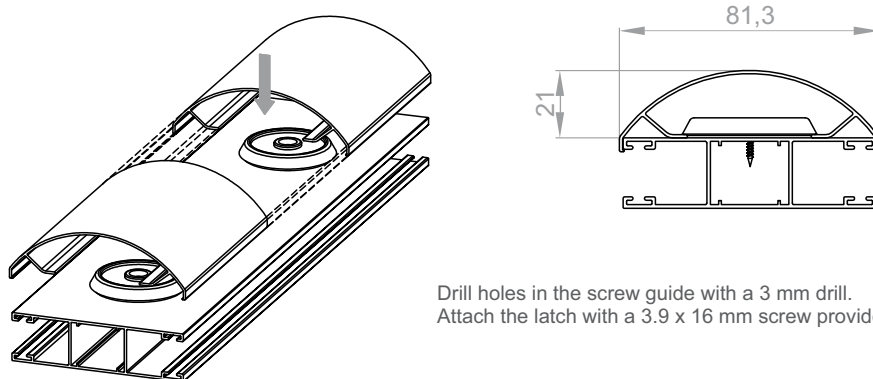
Method of attaching the latches of the single semi-circular cap.



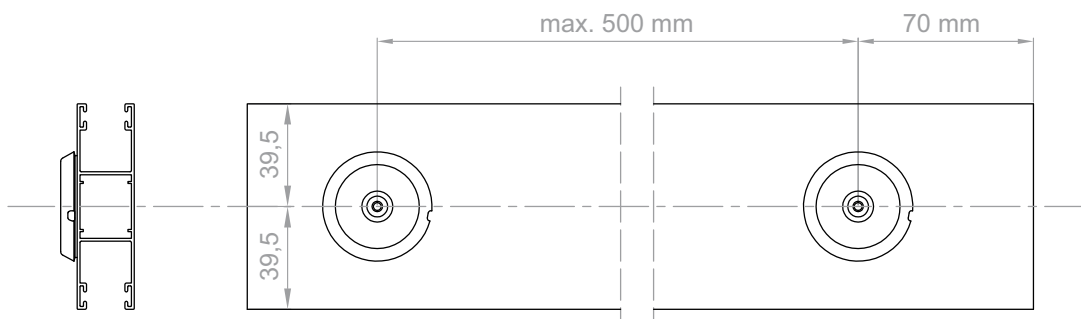
Drill holes in the screw guide with a 3 mm drill.  
Attach the latch with a 3.5 x 16 mm screw provided in the set.



Method of attaching latches of the double semi-circular cap.

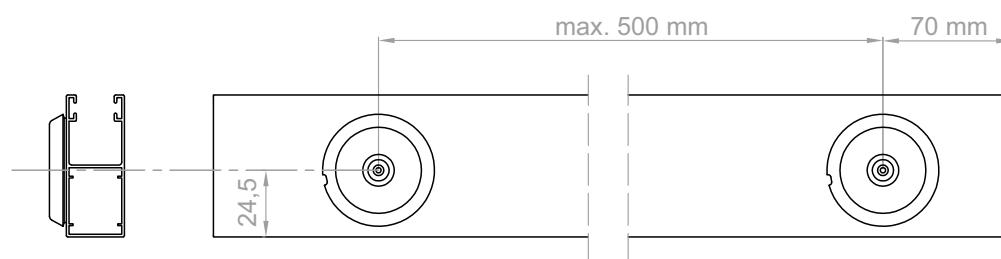
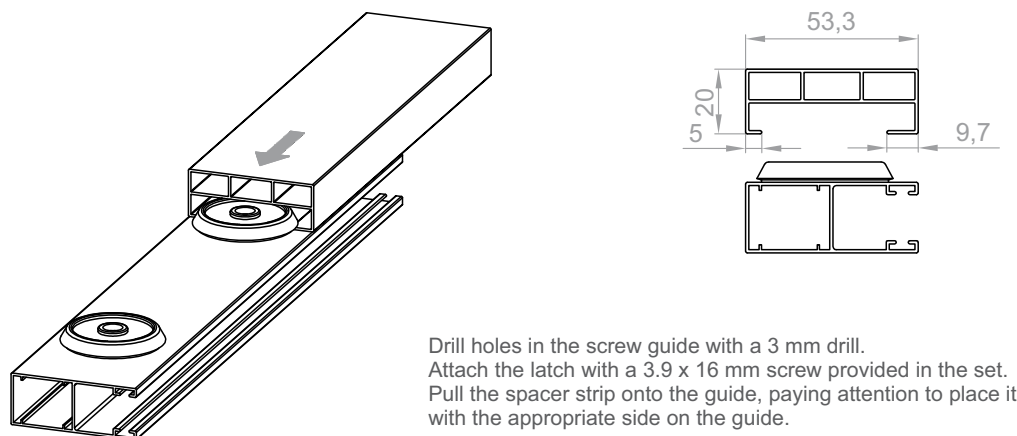


Drill holes in the screw guide with a 3 mm drill.  
Attach the latch with a 3.9 x 16 mm screw provided in the set.

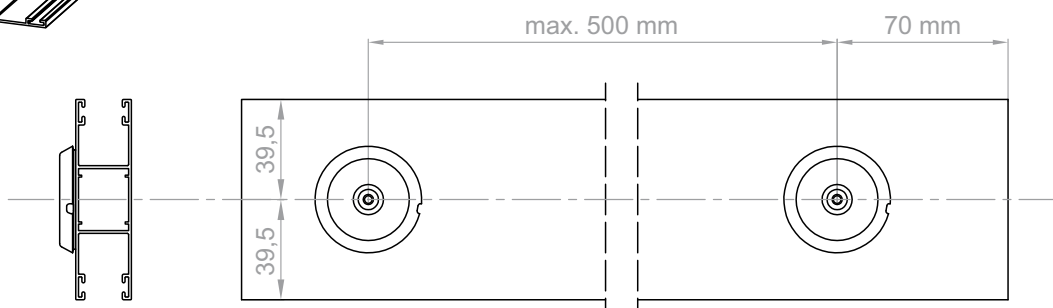
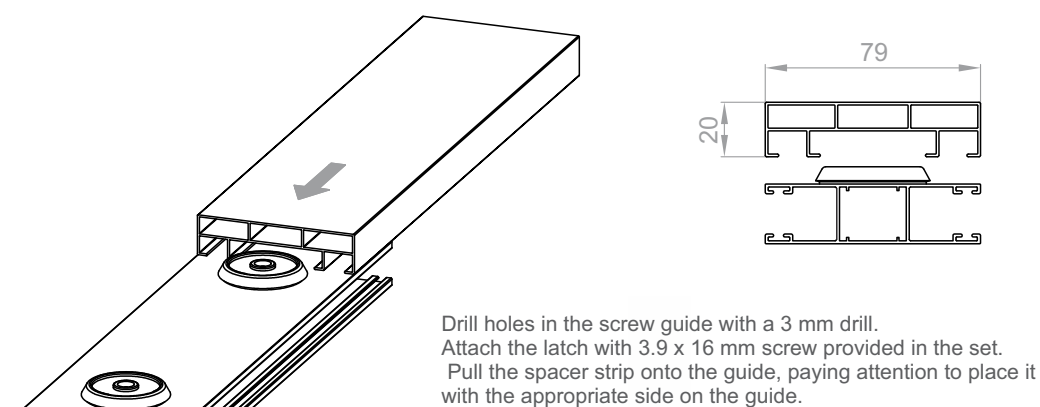


## Front mounted roller shutter system Attaching latches, spacer strips

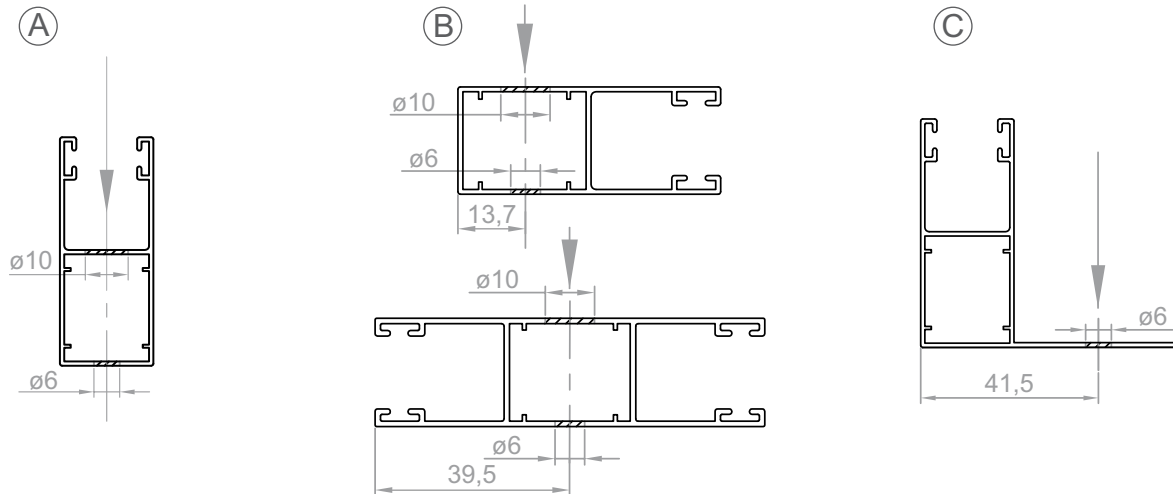
Method of attaching a spacer strip of the single guide.



Method of attaching the spacer strip of the double guide.

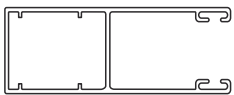


Methods of drilling holes for screws in guides:



Available drilling methods in individual guides:

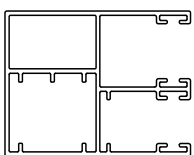
### PP-53



Available drilling methods:

(A) (B)

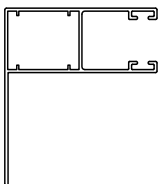
### PPDM-53



Available drilling methods:

(B)

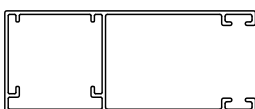
### PK-53



Available drilling methods:

(A) (C)

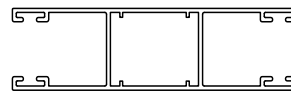
### PP-66



Available drilling methods:

(A) (B)

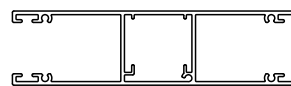
### PPD-79-XX



Available drilling methods:

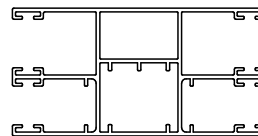
(B)

### PPDW-105



*The guide is not drilled for screws.*

### PPDM-80-XX



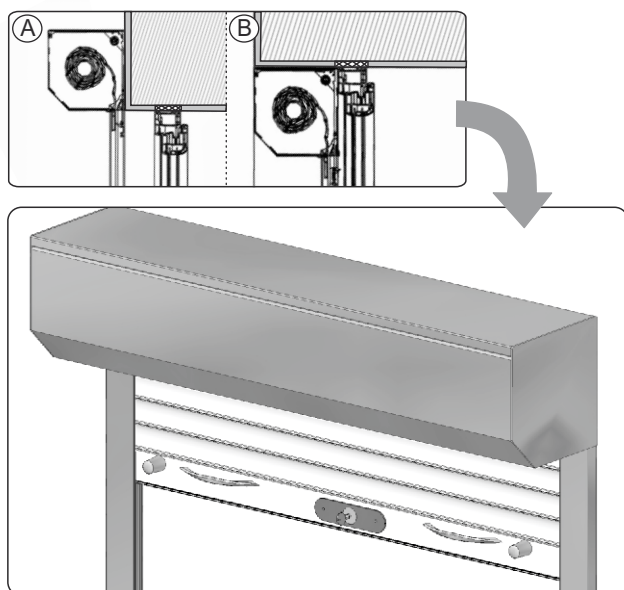
Available drilling methods:

(B)

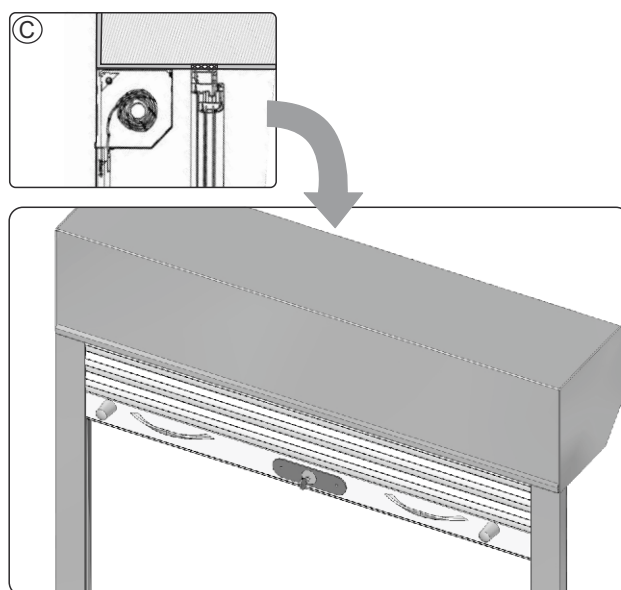
## Front mounted roller shutter system Installation of the cylinder lock in the bottom lath

Methods of mounting the cylinder lock in the front mounted roller shutter bottom lath:

A, B type installation

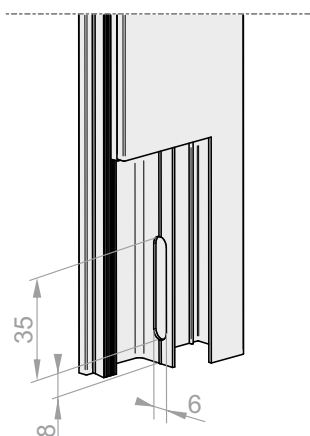


C type installation



The side of the cylinder lock with the covering plate is visible in the above drawings. The lock with mounting screws is located on the inside.

Milling guides for a cylinder lock – front mounted roller shutters.



**PP-53** (milling in PP-66, PPD-79, PK-53, PPDM-53 guides is made in the similar way).

# ST2000® front mounted roller shutter system

## Recommended box sizes in individual box sizes

### ST2000®

#### PA-39, PA-45, PA-52 curtain (including profile plugs)

Box size (mm)	width 0.35-2 m, max.area 6.5 m <sup>2</sup>			width 0.35-2.5 m, max. area 6.5 m <sup>2</sup>			width 0.35-3 m, max. area 6.5 m <sup>2</sup>			width 0.35 - 3.7 m, max. area 8 m <sup>2</sup>	
	Maximum height of the roller shutter with box			Maximum height of the roller shutter with box			Maximum height of the roller shutter with box			Maximum height of the roller shutter with box	
		with automatic bolt (cm)	with blocking bracket (cm)		with automatic bolt (cm)	with blocking bracket (cm)		with automatic bolt (cm)	with blocking bracket (cm)		with blocking bracket (cm)
ALUMINIUM	PA-39 ø 40+PZ50	PA-39 ø 40-rygiel	PA-39 ø 40-WB	PA-39 ø 60+PZ70	PA-39 ø 60-rygiel	PA-39 ø 60-WB	PA-45 ø 60+PZ70	PA-45 ø 60-rygiel	PA-45 ø 60-WB	PA-52 ø 60+PZ70	PA-52 ø 60-WB
SK-137	152	152	142	126	126	X	X	X	X	X	X
SK-150	197	197	186	182	182	151	126	121	X	X	X
SK-165	250	250	242	236	236	199	163	168	138	120	120
SK-180	306	306	310	294	294	282	214	214	196	190	190
SK-205	394	394	402	398	398	359	294	294	270	260	260

#### PVC-37, PVC-52 curtain (including profile plugs)

Box size (mm)	width 0.35 - 1.6 m, max. area 3 m <sup>2</sup>			width 0.35-1.6 m, max. area 4.3 m <sup>2</sup>					
	Maximum height of the roller shutter with box			Maximum height of the roller shutter with box					
		with automatic bolt (cm)	with blocking bracket (cm)		with automatic bolt (cm)	with blocking bracket (cm)			
ALUMINIUM	PVC-37 ø 40+PZ50	PVC-37 ø 40-rygiel	PVC-37 ø 40-WB	PVC-37 ø 60+PZ70	PVC-37 ø 60-rygiel	PVC-37 ø 60-WB	PVC-52 ø 60+PZ70	PVC-52 ø 60-rygiel	PVC-52 ø 60-WB
SK-137	165	X	146	154	X	128	X	X	X
SK-150	222	X	225	188	X	159	127	X	X
SK-165	279	X	338	234	X	227	159	X	175
SK-180	343	X	354	302	X	302	197	X	208
SK-205	386	X	368	383	X	368	272	X	319

Note! With the roller shutter width of more than 2 m, use ø 60. PZ - expansion ring from ø 40 to ø 50 or from ø 60 to ø 70.

### ST2000® WITH MOSQUITO NET

#### PA 39, PA 45 curtain (including profile plugs) width 0.55 - 1.80 m, max. area 4.5 m<sup>2</sup>

Box size (mm)	Maximum height of the roller shutter with box			Maximum height of the roller shutter with box			Maximum height of the roller shutter with box		
		with automatic bolt (cm)	with blocking bracket (cm)		with automatic bolt (cm)	with blocking bracket (cm)		with automatic bolt (cm)	with blocking bracket (cm)
	ALUMINIUM	PA-39 ø 40+PZ50	PA-39 ø 40-rygiel	PA-39 ø 40-WB	PA-39 ø 60+PZ70	PA-39 ø 60-rygiel	PA-39 ø 60-WB	PA-45 ø 60+PZ70	PA-45 ø 60-rygiel
SK-137	X	X	X	X	X	X	X	X	X
SK-150	108	108	108	X	X	X	X	X	X
SK-165	176	179	144	156	156	121	X	X	X
SK-180	224	228	216	200	200	200	X	X	X
SK-205	250	250	250	250	250	250	250	250	250

#### PVC-37 curtain (including profile plugs) width from 0.55 m to 1.6 m, max. area. 3 m<sup>2</sup>

Box size (mm)	Maximum height of the roller shutter with box			Maximum height of the roller shutter with box		
		with automatic bolt (cm)	with blocking bracket (cm)		with automatic bolt (cm)	with blocking bracket (cm)
	ALUMINIUM	PVC-37 ø 40+PZ50	PVC-37 ø 40-rygiel	PVC-37 ø 40-WB	PVC-37 ø 60+PZ70	PVC-37 ø 60-rygiel
SK-137	X	X	X	X	X	X
SK-150	111	X	X	X	X	X
SK-165	168	X	X	146	X	X
SK-180	247	X	X	226	X	X
SK-205	250	X	X	250	X	X

Note! With the roller shutter width of more than 2 m (for divisions in one box) use ø 60. The minimum width of the roller shutter with slowing system for mosquito net is 67 cm. PZ - expansion ring from ø 40 to ø 50 or from ø 60 to ø 70.

## RL2000® front mounted roller shutter system Recommended box sizes in individual box sizes

### RL2000®

#### PA 39, PA 45 curtain (including profile plugs)

width 0.35-2 m, max. area 6.5 m<sup>2</sup> | width 0.35-2.5 m, max. area 6.5 m<sup>2</sup> | width 0.35-3 m, max. area 6.5 m<sup>2</sup>

Box size (mm)	Maximum height of the roller shutter with box			Maximum height of the roller shutter with box			Maximum height of the roller shutter with box		
		with automatic bolt (cm)	with blocking bracket (cm)		with automatic bolt (cm)	with blocking bracket (cm)		with automatic bolt (cm)	with blocking bracket (cm)
ALUMINIUM	PA-39 ø 40+PZ50	PA-39 ø 40-rygiel	PA-39 ø 40-WB	PA-39 ø 60+PZ70	PA-39 ø 60-rygiel	PA-39 ø 60-WB	PA-45 ø 60+PZ70	PA-45 ø 60-rygiel	PA-45 ø 60-WB
SK-150	197	197	194	182	182	151	126		121
SK-180	286	286	298	294	302	267	214		214
SK-205	394	394	402	398	410	359	294		294

#### PVC-37 curtain (including profile plugs)

width 0.35 - 1.6 m, max. area 3 m<sup>2</sup>

Box size (mm)	Maximum height of the roller shutter with box			Maximum height of the roller shutter with box		
		with automatic bolt (cm)	with blocking bracket (cm)		with automatic bolt (cm)	with blocking bracket (cm)
ALUMINIUM	PVC-37 ø 40+PZ50	PVC-37 ø 40-rygiel	PVC-37 ø 40-WB	PVC-37 ø 60+PZ70	PVC-37 ø 60-rygiel	PVC-37 ø 60-WB
SK-150	222	X	225	188	X	159
SK-180	343	X	354	302	X	302
SK-205	386	X	368	383	X	368

Note! For roller shutter width of more than 2 m, use ø 60  
PZ - expansion ring from ø 40 to ø 50 or from ø 60 to ø 70

### RL2000® WITH MOSQUITO NET

#### PA-39, PA-45 curtain (including profile plugs)

width 0.55 - 1.80 m, max. area 4.5 m<sup>2</sup>

Box size (mm)	Maximum height of the roller shutter with box			Maximum height of the roller shutter with box			Maximum height of the roller shutter with box		
		with automatic bolt (cm)	with blocking bracket (cm)		with automatic bolt (cm)	with blocking bracket (cm)		with automatic bolt (cm)	with blocking bracket (cm)
ALUMINIUM	PA-39 ø 40+PZ50	PA-39 ø 40-rygiel	PA-39 ø 40-WB	PA-39 ø 60+PZ70	PA-39 ø 60-rygiel	PA-39 ø 60-WB	PA-45 ø 60+PZ70	PA-45 ø 60-rygiel	PA-45 ø 60-WB
SK-150	108	108	108	X	X	X	X	X	X
SK-180	224	224	216	200	200	200	X	X	X
SK-205	250	250	250	250	250	250	250	250	250

#### PVC-37 curtain (including profile plugs)

width from 0.55 m to 1.6 m, max. area 3 m<sup>2</sup>

Box size (mm)	Maximum height of the roller shutter with box			Maximum height of the roller shutter with box		
		with automatic bolt (cm)	with blocking bracket (cm)		with automatic bolt (cm)	with blocking bracket (cm)
ALUMINIUM	PVC-37 ø 40+PZ50	PVC-37 ø 40-rygiel	PVC-37 ø 40-WB	PVC-37 ø 60+PZ70	PVC-37 ø 60-rygiel	PVC-37 ø 60-WB
SK-150	111	X	X	X	X	X
SK-180	247	X	X	226	X	X
SK-205	250	X	X	250	X	X

Note! With the roller shutter width of more than 2 m (for divisions in one box) use ø 60.  
The minimum width of the roller shutter with slowing system for mosquito net is 67 cm.  
PZ - expansion ring from ø 40 to ø 50 or from ø 60 to ø 70

## OS2000®

### PA-39, PA-45, PA-52 curtain (including profile plugs)

width 0.35-2 m, max.area 6.5 m<sup>2</sup> | width 0.35 - 2.5 m, max. area 6.5 m<sup>2</sup> | width 0.35 - 3 m, max. area 6.5 m<sup>2</sup> | width 0.35 - 3.7 m, max. area 8 m<sup>2</sup>

Box size (mm)	Maximum height of the roller shutter with box			Maximum height of the roller shutter with box			Maximum height of the roller shutter with box			Maximum height of the roller shutter with box	
		with automatic bolt (cm)	with blocking bracket (cm)		with automatic bolt (cm)	with blocking bracket (cm)		with automatic bolt (cm)	with blocking bracket (cm)		with blocking bracket (cm)
ALUMINIUM	PA-39 ø 40+PZ50	PA-39 ø 40-rygiel	PA-39 ø 40-WB	PA-39 ø 60+PZ70	PA-39 ø 60-rygiel	PA-39 ø 60-WB	PA-45 ø 60+PZ70	PA-45 ø 60-rygiel	PA-45 ø 60-WB	PA-52 ø 60+PZ70	PA-52 ø 60-WB
SK-137	152	152	142	126	126	X	X	X	X	X	X
SK-165	250	250	242	236	236	199	163	168	138	120	
SK-180	306	306	310	294	294	282	214	214	196	190	
SK-205	394	394	402	398	398	359	294	294	270	260	

### PVC-37, PVC-52 curtain (including profile plugs)

width 0.35 - 1.6 m, max. area 3 m<sup>2</sup> | width 0.35-1,6 m, max. area 4.3 m<sup>2</sup>

Box size (mm)	Maximum height of the roller shutter with box			Maximum height of the roller shutter with box			Maximum height of the roller shutter with box		
		with automatic bolt (cm)	with blocking bracket (cm)		with automatic bolt (cm)	with blocking bracket (cm)		with automatic bolt (cm)	with blocking bracket (cm)
ALUMINIUM	PVC-37 ø 40+PZ50	PVC-37 ø 40-rygiel	PVC-37 ø 40-WB	PVC-37 ø 60+PZ70	PVC-37 ø 60-rygiel	PVC-37 ø 60-WB	PVC-52 ø 60+PZ70	PVC-52 ø 60-rygiel	PVC-52 ø 60-WB
SK-137	165	X	146	154	X	128	X	X	X
SK-165	279	X	338	234	X	227	159	X	175
SK-180	343	X	354	302	X	302	197	X	208
SK-205	386	X	368	383	X	368	272	X	319

**Note!** With the roller shutter width of more than 2 m, use ø 60. PZ - expansion ring from ø 40 to ø 50 or from ø 60 to ø 70.

## OS2000® WITH MOSQUITO NET

### PA 39, PA 45 curtain (including profile plugs)

width 0.55 - 1.80 m, max. area 4.5 m<sup>2</sup>

Box size (mm)	Maximum height of the roller shutter with box			Maximum height of the roller shutter with box			Maximum height of the roller shutter with box		
		with automatic bolt (cm)	with blocking bracket (cm)		with automatic bolt (cm)	with blocking bracket (cm)		with automatic bolt (cm)	with blocking bracket (cm)
ALUMINIUM	PA-39 ø 40+PZ50	PA-39 ø 40-rygiel	PA-39 ø 40-WB	PA-39 ø 60+PZ70	PA-39 ø 60-rygiel	PA-39 ø 60-WB	PA-45 ø 60+PZ70	PA-45 ø 60-rygiel	PA-45 ø 60-WB
SK-137	X	X	X	X	X	X	X	X	X
SK-165	176	152	144	156	156	121	X	X	X
SK-180	224	228	216	200	200	200	X	X	X
SK-205	250	250	250	250	250	250	250	250	250

### PVC-37 curtain (including profile plugs)

width from 0.55 m to 1.6 m, max. area 3 m<sup>2</sup>

Box size (mm)	Maximum height of the roller shutter with box			Maximum height of the roller shutter with box		
		with automatic bolt (cm)	with blocking bracket (cm)		with automatic bolt (cm)	with blocking bracket (cm)
ALUMINIUM	PVC-37 ø 40+PZ50	PVC-37 ø 40-rygiel	PVC-37 ø 40-WB	PVC-37 ø 60+PZ70	PVC-37 ø 60-rygiel	PVC-37 ø 60-WB
SK-137	X	X	X	X	X	X
SK-165	168	X	X	146	X	X
SK-180	247	X	X	226	X	X
SK-205	250	X	X	250	X	X

**Note!** With the roller shutter width of more than 2 m (for divisions in one box) use ø 60. The minimum width of the roller shutter with slowing system for mosquito net is 67 cm. PZ - expansion ring from ø 40 to ø 50 or from ø 60 to ø 70.

# OL2000® front mounted roller shutter system

## Recommended box sizes in individual box sizes

### OL2000®

#### PA-39, PA-45, PA-52 curtain (including profile plugs)

Box size (mm)	width 0.35-2 m, max. area 6.5 m <sup>2</sup>			width 0.35-2.5 m, max. area 6.5 m <sup>2</sup>			width 0.35-3 m, max. area 6.5 m <sup>2</sup>			width 0.35 - 3.7 m, max. area 8 m <sup>2</sup>	
	Maximum height of the roller shutter with box			Maximum height of the roller shutter with box			Maximum height of the roller shutter with box			Maximum height of the roller shutter with box	
		with automatic bolt (cm)	with blocking bracket (cm)		with automatic bolt (cm)	with blocking bracket (cm)		with automatic bolt (cm)	with blocking bracket (cm)		with blocking bracket (cm)
ALUMINIUM	PA-39 ø 40+PZ50	PA-39 ø 40-rygiel	PA-39 ø 40-WB	PA-39 ø 60+PZ70	PA-39 ø 60-rygiel	PA-39 ø 60-WB	PA-45 ø 60+PZ70	PA-45 ø 60-rygiel	PA-45 ø 60-WB	PA-52 ø 60+PZ70	PA-52 ø 60-WB
SK-137	152	152	142	126	126	X	X	X	X	X	X
SK-165	250	250	242	236	236	199	163	168	138	120	
SK-180	306	306	310	294	294	282	214	214	196	190	
SK-205	394	394	402	398	398	359	294	294	270	260	

#### PVC-37, PVC-52 curtain (including profile plugs) width 0.35 - 1.6 m, max. area 3 m<sup>2</sup> width 0.35-1,6 m, max. area 4.3 m<sup>2</sup>

Box size (mm)	width 0.35 - 1.6 m, max. area 3 m <sup>2</sup>			width 0.35-1,6 m, max. area 4.3 m <sup>2</sup>			width 0.35-1,6 m, max. area 4.3 m <sup>2</sup>		
	Maximum height of the roller shutter with box			Maximum height of the roller shutter with box			Maximum height of the roller shutter with box		
		with automatic bolt (cm)	with blocking bracket (cm)		with automatic bolt (cm)	with blocking bracket (cm)		with automatic bolt (cm)	with blocking bracket (cm)
ALUMINIUM	PVC-37 ø 40+PZ50	PVC-37 ø 40-rygiel	PVC-37 ø 40-WB	PVC-37 ø 60+PZ70	PVC-37 ø 60-rygiel	PVC-37 ø 60-WB	PVC-52 ø 60+PZ70	PVC-52 ø 60-rygiel	PVC-52 ø 60-WB
SK-137	165	X	146	154	X	128	X	X	X
SK-165	279	X	338	234	X	227	159	X	175
SK-180	343	X	354	302	X	302	197	X	208
SK-205	386	X	368	383	X	368	272	X	319

**Note!** For roller shutter width of more than 2 m, use ø 60  
PZ - expansion ring from ø 40 to ø 50 or from ø 60 to ø 70.

### OL2000® WITH MOSQUITO NET

#### PA 39, PA 45 curtain (including profile plugs) width 0.55 - 1.80 m, max. area 4.5 m<sup>2</sup>

Box size (mm)	width 0.55 - 1.80 m, max. area 4.5 m <sup>2</sup>			width 0.55 - 1.80 m, max. area 4.5 m <sup>2</sup>			width 0.55 - 1.80 m, max. area 4.5 m <sup>2</sup>		
	Maximum height of the roller shutter with box			Maximum height of the roller shutter with box			Maximum height of the roller shutter with box		
		with automatic bolt (cm)	with blocking bracket (cm)		with automatic bolt (cm)	with blocking bracket (cm)		with automatic bolt (cm)	with blocking bracket (cm)
ALUMINIUM	PA-39 ø 40+PZ50	PA-39 ø 40-rygiel	PA-39 ø 40-WB	PA-39 ø 60+PZ70	PA-39 ø 60-rygiel	PA-39 ø 60-WB	PA-45 ø 60+PZ70	PA-45 ø 60-rygiel	PA-45 ø 60-WB
SK-137	X	X	X	X	X	X	X	X	X
SK-165	176	152	144	156	156	121	X	X	X
SK-180	224	228	216	200	200	200	X	X	X
SK-205	250	250	250	250	250	250	250	250	250

#### PVC-37 curtain (including profile plugs) width from 0.55 m to 1.6 m, max. area 3 m<sup>2</sup>

Box size (mm)	width from 0.55 m to 1.6 m, max. area 3 m <sup>2</sup>			width from 0.55 m to 1.6 m, max. area 3 m <sup>2</sup>		
	Maximum height of the roller shutter with box			Maximum height of the roller shutter with box		
		with automatic bolt (cm)	with blocking bracket (cm)		with automatic bolt (cm)	with blocking bracket (cm)
ALUMINIUM	PVC-37 ø 40+PZ50	PVC-37 ø 40-rygiel	PVC-37 ø 40-WB	PVC-37 ø 60+PZ70	PVC-37 ø 60-rygiel	PVC-37 ø 60-WB
SK-137	X	X	X	X	X	X
SK-165	168	X	X	146	X	X
SK-180	247	X	X	226	X	X
SK-205	250	X	X	250	X	X

**Note!** With the roller shutter width of more than 2 m (for divisions in one box) use ø 60. With the use of the slowing system, the minimum width of the roller shutter with mosquito net is 67 cm. PZ - expansion ring from ø 40 to ø 50 or from ø 60 to ø 70.



## IT2000® front mounted roller shutter system Recommended box sizes in individual box sizes

### IT2000®

#### PA-39, PA-45, PA-52 curtain (including profile plugs)

width 0.35-2 m, max.area 6.5 m<sup>2</sup>

width 0.35-2.5 m, max. area 6.5 m<sup>2</sup>

width 0.35-3 m, max. area 6.5 m<sup>2</sup>

width 0.35 - 3.7 m,  
max. area 8 m<sup>2</sup>

Box size (mm)	Maximum height of the roller shutter with box			Maximum height of the roller shutter with box			Maximum height of the roller shutter with box			Maximum height of the roller shutter with box	
		with automatic bolt (cm)	with blocking bracket (cm)		with automatic bolt (cm)	with blocking bracket (cm)		with automatic bolt (cm)	with blocking bracket (cm)		with blocking bracket (cm)
ALUMINIUM	PA-39 ø 40+PZ50	PA-39 ø 40-rygiel	PA-39 ø 40-WB	PA-39 ø 60+PZ70	PA-39 ø 60-rygiel	PA-39 ø 60-WB	PA-45 ø 60+PZ70	PA-45 ø 60-rygiel	PA-45 ø 60-WB	PA-52 ø 60+PZ70	PA-52 ø 60-WB
SK-137		152	142		126	X		X	X	X	X
SK-165		250	242		236	199		163	168	138	120
SK-180		306	310		294	282		214	214	196	190
SK-205		394	402		398	359		294	294	270	260

#### PVC-37, PVC-52 curtain (including profile plugs)

width 0.35 - 1.6 m, max. area 3 m<sup>2</sup>

width 0.35-1,6 m, max. area 4.3 m<sup>2</sup>

Box size (mm)	Maximum height of the roller shutter with box			Maximum height of the roller shutter with box			Maximum height of the roller shutter with box		
		with automatic bolt (cm)	with blocking bracket (cm)		with automatic bolt (cm)	with blocking bracket (cm)		with automatic bolt (cm)	with blocking bracket (cm)
ALUMINIUM	PVC-37 ø 40+PZ50	PVC-37 ø 40-rygiel	PVC-37 ø 40-WB	PVC-37 ø 60+PZ70	PVC-37 ø 60-rygiel	PVC-37 ø 60-WB	PVC-52 ø 60+PZ70	PVC-52 ø 60-rygiel	PVC-52 ø 60-WB
SK-137	161	X	165	154	X	124	X	X	X
SK-165	271	X	279	234	X	227	159	X	154
SK-180	336	X	332	302	X	276	197	X	208
SK-205	386	X	368	383	X	368	272	X	293

**Note!** With the roller shutter width of more than 2 m, use ø 60.

Motor with an emergency lifting mechanism - NHK cannot be installed in IT2000 roller shutters. PZ - expansion ring from ø 40 to ø 50 or from ø 60 to ø 70.

### IT2000® WITH MOSQUITO NET

#### PA-39, PA-45 curtain (including profile plugs)

width from 0.55 - 1.80 m, max. area 4.5 m<sup>2</sup>

Box size (mm)	Maximum height of the roller shutter with box			Maximum height of the roller shutter with box			Maximum height of the roller shutter with box		
		with automatic bolt (cm)	with blocking bracket (cm)		with automatic bolt (cm)	with blocking bracket (cm)		with automatic bolt (cm)	with blocking bracket (cm)
ALUMINIUM	PA-39 ø 40+PZ50	PA-39 ø 40-rygiel	PA-39 ø 40-WB	PA-39 ø 60+PZ70	PA-39 ø 60-rygiel	PA-39 ø 60-WB	PA-45 ø 60+PZ70	PA-45 ø 60-rygiel	PA-45 ø 60-WB
SK-137	X	X	X	X	X	X	X	X	X
SK-165	176	179	144	156	156	121	X	X	X
SK-180	224	228	216	200	200	200	X	X	X
SK-205	250	250	250	250	250	250	250	250	250

#### PVC-37 curtain (including profile plugs)

width from 0.55 m to 1.6 m, max. area. 3 m<sup>2</sup>

Box size (mm)	Maximum height of the roller shutter with box			Maximum height of the roller shutter with box		
		with automatic bolt (cm)	with blocking bracket (cm)		with automatic bolt (cm)	with blocking bracket (cm)
ALUMINIUM	PVC-37 ø 40+PZ50	PVC-37 ø 40-rygiel	PVC-37 ø 40-WB	PVC-37 ø 60+PZ70	PVC-37 ø 60-rygiel	PVC-37 ø 60-WB
SK-137	X	X	X	X	X	X
SK-165	168	X	X	146	X	X
SK-180	247	X	X	226	X	X
SK-205	250	X	X	250	X	X

**Note!** With the roller shutter width of more than 2 m (for divisions in one box) use ø 60.

Motor with an emergency lifting mechanism - NHK cannot be installed in IT2000 roller shutters with mosquito net.

With the use of the slowing system, the minimum width of the roller shutter with mosquito net is 67 cm.

PZ - expansion ring from ø 40 to ø 50 or from ø 60 to ø 70.



## DECLARATION OF PERFORMANCE

- Nr. **001/2019**
1. Unique identification code of the product-type: Front mounted shutters - ST2000®, RL2000®, OS2000®, OL2000®, IT2000®.
2. Intended use/es: Front mounted shutters
3. Manufacturer: PORTOS TR7 spółka z ograniczoną odpowiedzialnością spółka komandytowa
4. Authorised representative: Not applicable
5. System/s of AVCP: 4
- 6.
- a) Harmonised standard: EN 13659:2015-07  
Notified body/ies: Not applicable
- b) European Assessment Document: Not applicable  
European Technical Assessment: Not applicable  
Technical Assessment Body: Not applicable  
Notified body/ies: Not applicable
7. Declared performance/s:

Essential characteristics	Test result / Performance	Reference document
Wind load resistance	Meets the requirements at guide opening width S for: S ≤ 2,7 m - class 2 S ≤ 2,4 m - class 3 S ≤ 2,0 m - class 4 S ≤ 1,7 m - class 5 S ≤ 1,5 m - class 6 S ≤ 1,3 m - class 6	PN-EN 13659:2015-07

8. Appropriate Technical Documentation and/or Specific Technical Documentation: Not applicable

The performance of the product identified above is in conformity with the set of declared performance/s. This declaration of performance is issued, in accordance with Regulation (EU) No 305/2011, under the sole responsibility of the manufacturer identified above.

Signed for and on behalf of the manufacturer by:

WŁAŚCICIEL  
Tomasz Szukalski

Tomasz Szukalski  
Owner  
Kalisz, 02.12.2019



