

Top mounted shutter

CC1000®

TL1000®

TECHNICAL CATALOGUE



TABLE OF CONTENTS:

Features and benefits of the CC1000, TL1000 systems	2
Box components	3
Sections and parts list CC1000	4
Sections and parts list TL1000	10
Sides	14
Adaptation profiles	17
PVC profiles	19
Styrofoam inserts	23
Steel, aluminium components	25
Accessories	30
Curtain profiles, profile plugs	38
Bottom laths, additional components of the bottom lath	40
PVC spacers and guides	42
Divisions	43
Assembly drawings - divisions	45
Assembly drawings - entry of the tape	51
Assembly drawings - inspection covers	52
Assembly drawings - crank lifting mechanism	53
Assembly drawings - NHK installation	56
Assembly drawings - installation of the stabilizing console system-TL1000	60
Assembly drawings - installation of the motor	62
Assembly drawings - installation of PVC guides	64
Recommended box sizes	65
Certificates	67



CC1000[®]

the simplest solution in
technical and economic
terms

small shutter box - more
light in your interior

It works perfectly in thin walls



TL1000[®]

solution tested for many
years - reliability
and satisfaction

reasonable quality-
price ratio

perfectly matched to the conditions
of the Polish installation



*CC1000, TL1000 are trademarks of PORTOS.
All photos and drawings contained in the catalogue are for reference only.
The PORTOS company reserves the right to make changes.
©2019 PORTOS. All rights reserved.*

CC1000[®]

TL1000[®]

LEGEND:



The system to which, the component is intended.



The size of the box for which the component is intended.



The indicative weight of the component (in kilograms).



Maximum length of a long component (given in meters).



The material used to make a component (e.g. PVC, ASA, etc.).

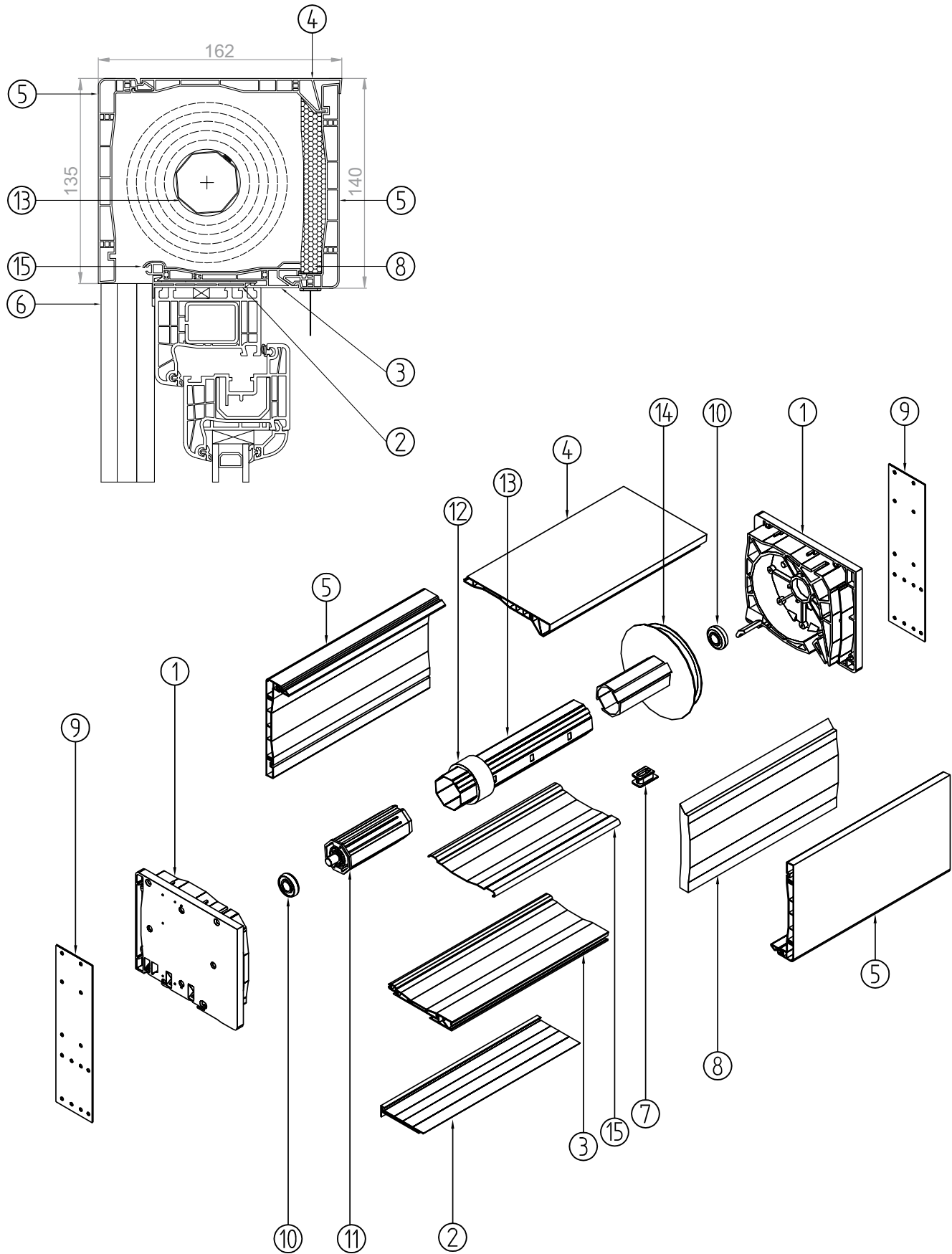


It contains no harmful heavy metals such as lead.



The component with a veneering option.

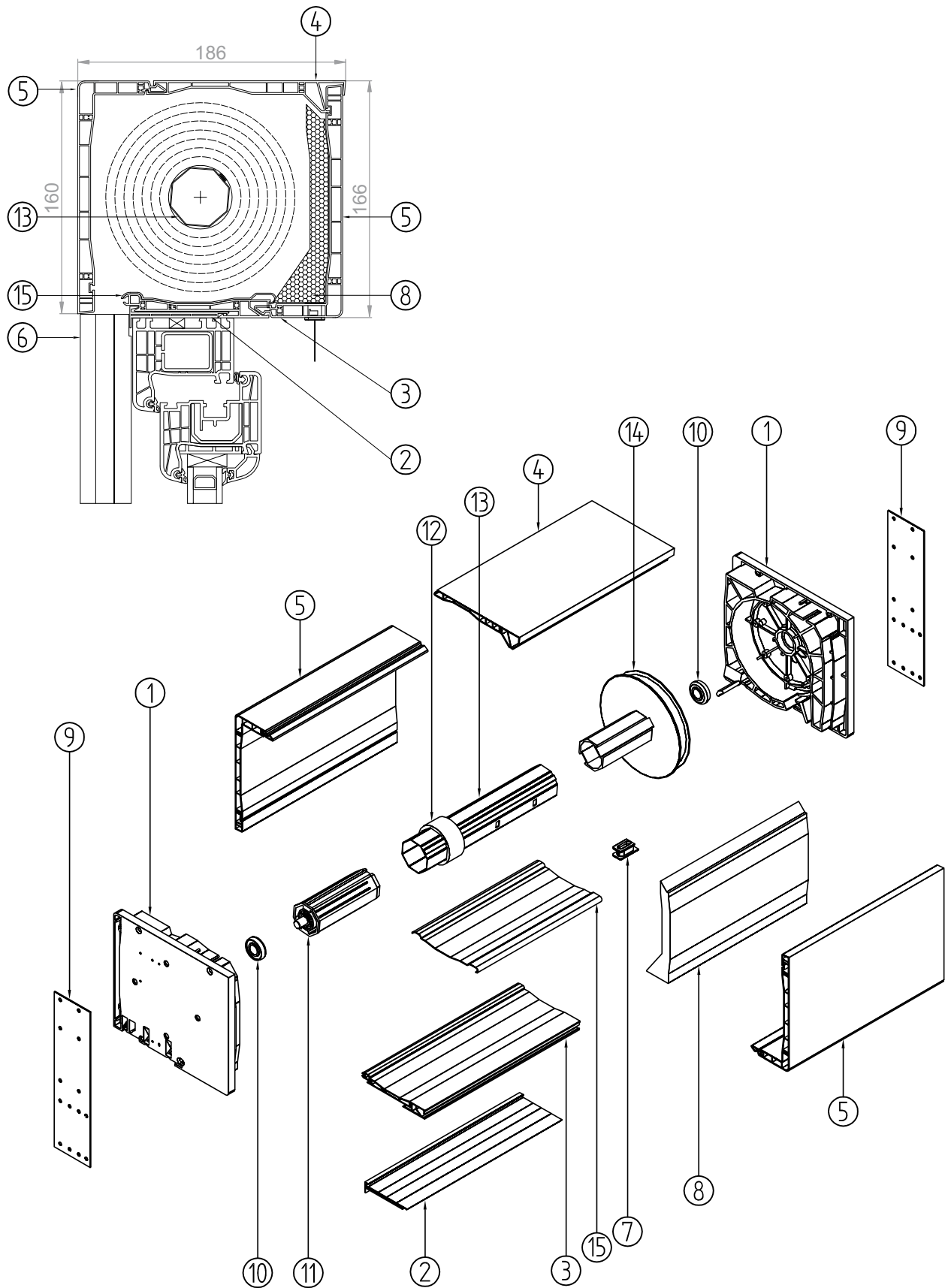
Components of the CC1000® system Box 135 - cross-section and parts list



CC1000[®] box 135 - cross-section and parts list

1	RF100	Side of the box 135
2	RN	Adaptation profile
3	RK2	Mounting profile of the box 135, 160, 200
4	RK3	Top profile of the box 135, 160, 200
5	RK40	Inner and outer cover of the box 135
6	RK-16	Single guide
7	E-R265	Belt guide
8	RW1	Thermal insulation of the box 135
9	RKZ66	Steel side handle for box
10	LO 28/10	Bearing 28/10 for PVC
	LO 28/12 PCV	Bearing 28/12 for PVC
11	OBS-40-PCV	40 mounting for PVC with pin
	OBS-60-PCV	60 mounting for PVC with pin
12	PZ40/50	Expansion ring
	PZ60/70	Expansion ring
13	SW 40	Octagonal pipe ø 40
	SW 60	Octagonal pipe ø 60
14	RKZ70	Winding wheel for box 135
15	RA-10	Steel box reinforcement 135, 160, 200 - large

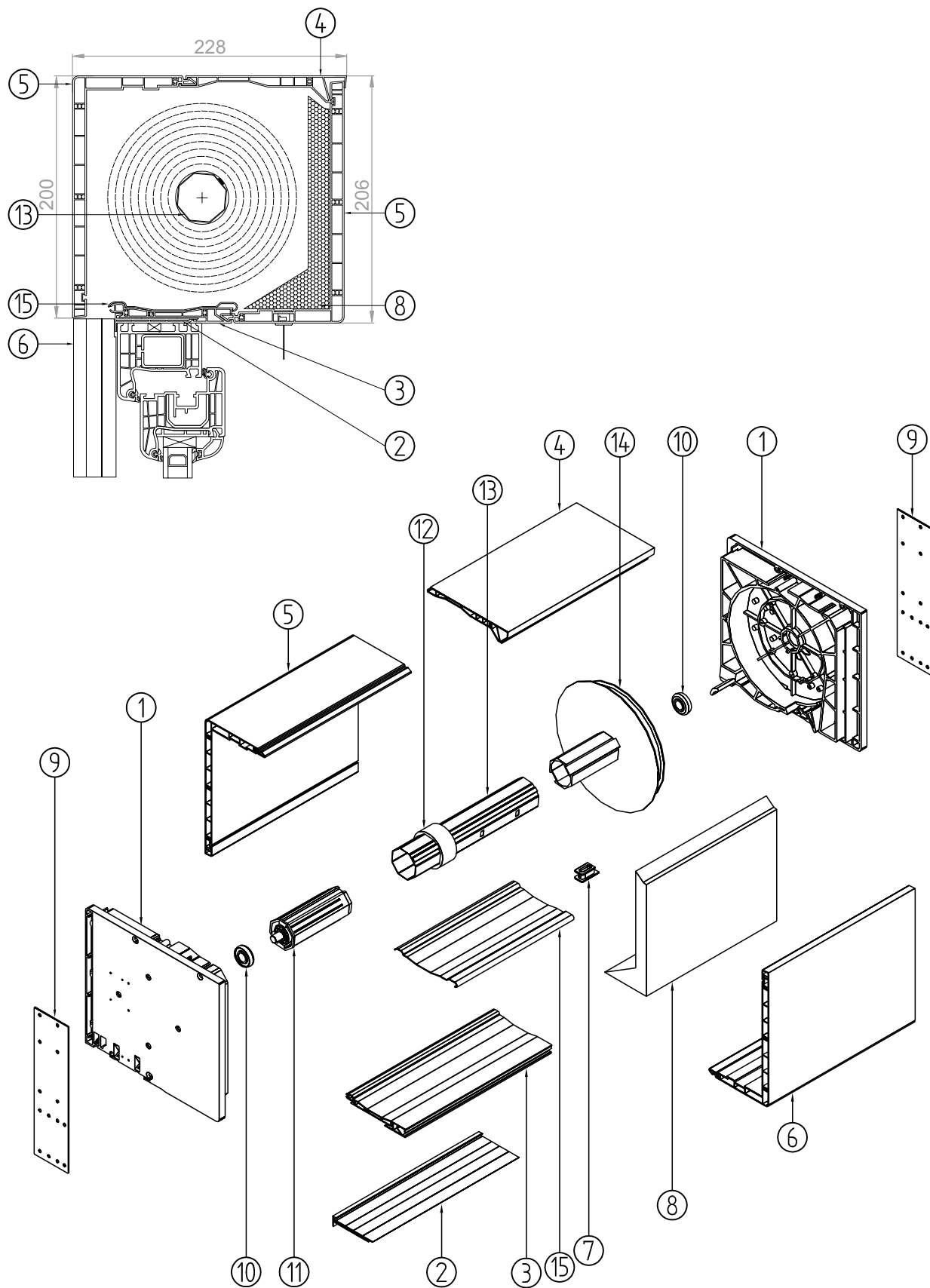
Components of the CC1000® system Box 160 - cross-section and parts list



CC1000[®] box 160 - cross-section and parts list

1	RF200	Side of the box 160
2	RN	Adaptation profile
3	RK2	Mounting profile of the box 135, 160, 200
4	RK3	Top profile of the box 135, 160, 200
5	RK50	Outer cover of the box 160
	RK50 R	Outer cover of the box 160 - grooved
6	RK-16	Single guide
7	E-R265	Belt guide
8	RW2	Thermal insulation of the box 160
9	RKZ66	Steel side handle for box
10	LO28/10	Bearing 28/10 for PVC
	LO28/12 PCV	Bearing 28/12 for PVC
11	OBS-40-PCV	40 mounting for PVC with pin
	OBS-60-PCV	60 mounting for PVC with pin
12	PZ40/50	Expansion ring
	PZ60/70	Expansion ring
13	SW 40	Octagonal pipe ø 40
	SW 60	Octagonal pipe ø 60
14	RKZ71	Winding wheel for box 160
15	RA-10	Steel box reinforcement 135, 160, 200 - large

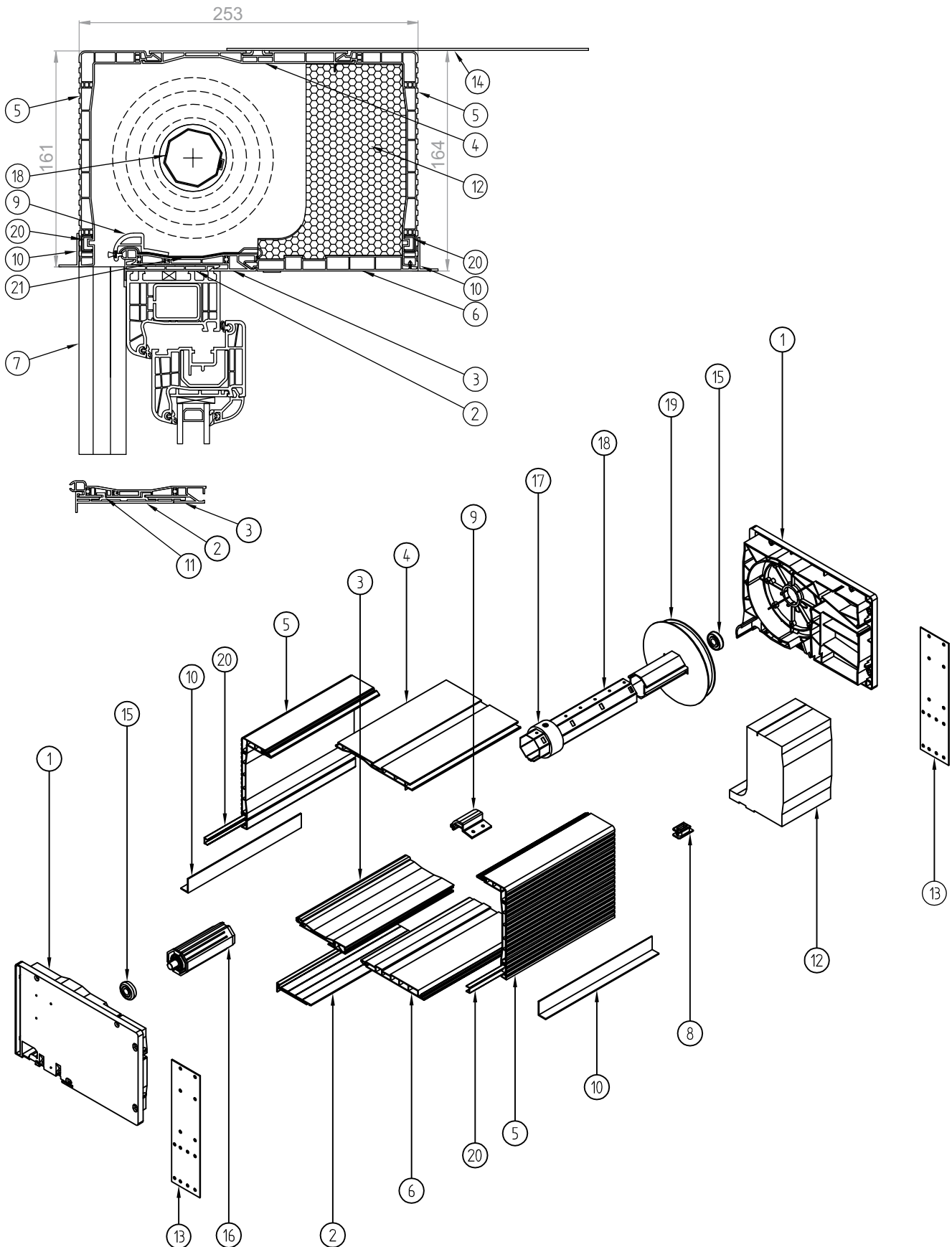
Components of the CC1000® system Box 200 - cross-section and parts list



CC1000[®] box 200 - cross-section and parts list

1	RF300	Side of the box 200
2	RN	Adaptation profile
3	RK2	Mounting profile of the box 135, 160, 200
4	RK3	Top profile of the box 135, 160, 200
5	RK60	Outer cover of the box 200
	RK60 R	Outer cover of the box 200 - grooved
6	RK-16	Single guide
7	E-R265	Belt guide
8	RW3	Thermal insulation of the box 200
9	RKZ66	Steel side handle for box
10	LO28/10	Bearing 28/10 for PVC
	LO28/12 PCV	Bearing 28/12 for PVC
11	OBS-40-PCV	40 mounting for PVC with pin
	OBS-60-PCV	60 mounting for PVC with pin
12	PZ40/50	Expansion ring
	PZ60/70	Expansion ring
13	SW 40	Octagonal pipe ø 40
	SW 60	Octagonal pipe ø 60
14	RKZ72	Winding wheel for box 200
15	RA-10	Steel box reinforcement 135, 160, 200 - large

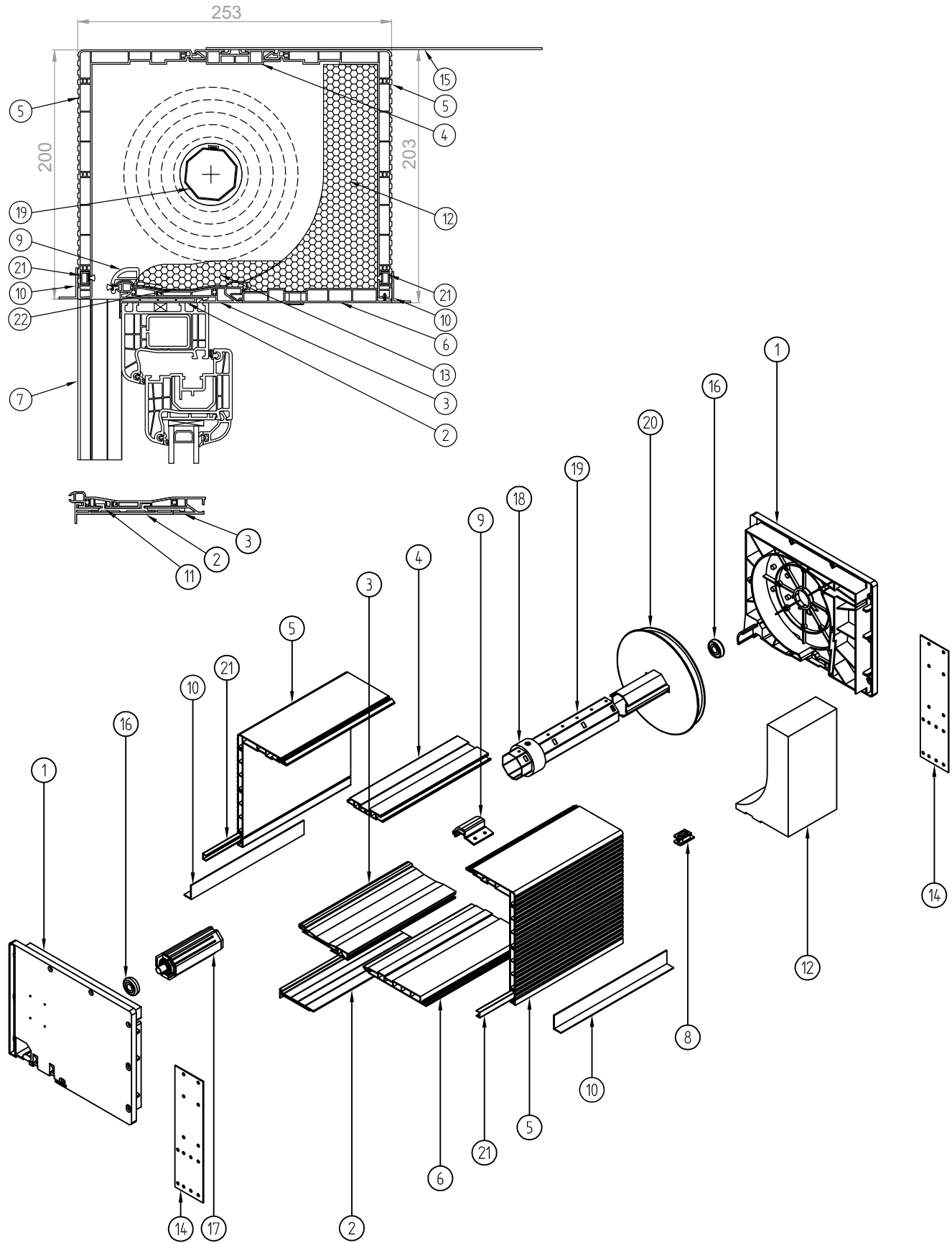
Components of the TL1000® system Box 160 - cross-section and parts list



TL1000[®] box 160 - cross-section and parts list

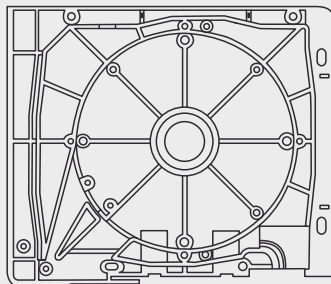
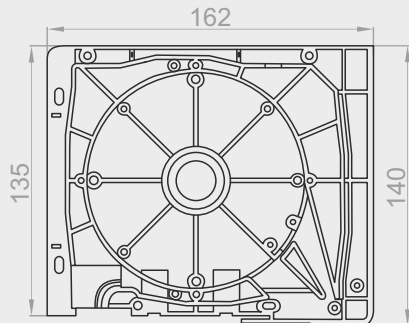
1	BPRM 200	Side of the box 160
2	RN	Universal adaptation profile
	RN1-70 B	Universal adaptation profile 70 mm
3	RK2-70	Mounting profile of the box 160, 200
4	PGL 1-K	Top profile of the box
5	RK50	Profile of the box 160 side
	RK50 R	Profile of the box 160 side grooved
6	PKL1	Inspection cover of the box 160, 200
7	RK-16	Single guide
8	E-R265	Belt guide
9	SPPS	Entry guide for profile, middle
10	LT	Concealed lath
11	NPL-020	Adapter aluminium insert
12	BPRN 200	Styrofoam insert of the box 160
13	RKZ66	Steel side handles
14	SKM-TL1000	Steel mounting anchor
15	LO 28/10	Bearing 28/10 for PVC
	LO28/12 PCV	Bearing 28/12 for PVC
16	OBS-40-PCV	40 mounting for PVC with pin
	OBS-60-PCV	60 mounting for PVC with pin
17	PZ40/50	Expansion ring
	PZ60/70	Expansion ring
18	SW 40	Octagonal pipe \varnothing 40
	SW 60	Octagonal pipe \varnothing 60
19	RKZ71	Winding wheel for box 160
20	RA-2-00 7 MM	Steel box reinforcement 160, 200 - small
21	RA-10	Steel box reinforcement 135, 160, 200 - large

Components of the TL1000® system Box 200 - cross-section and parts list



TL1000[®] box 200 - cross-section and parts list

1	BPRM 300	Side of the box 200
2	RN1	Universal adaptation profile
	RN1-70	Universal adaptation profile 70 mm
3	RK2-70	Mounting profile of the box 160, 200
4	PGL 2-K	Top profile of the box
5	RK60	Profile of the box 200 side
	RK60 R	Profile of the box 200 side grooved
6	PKL1	Inspection cover of the box 160, 200
7	RK-16	Single guide
8	E-R265	Belt guide
9	SPPS	Entry guide for profile, middle
10	LT	Concealed lath
11	NPL-020	Adapter aluminium insert
12	BPRN 300	Styrofoam insert of the box 200
13	BPRN 300 2/S	Bottom styrofoam insert of the box 200
14	RKZ66	Steel side handles
15	SKM-TL1000	Steel mounting anchor
16	LO 28/10	Bearing 28/10 for PVC
	LO28/12 PCV	Bearing 28/12 for PVC
17	OBS-40-PCV	40 mounting for PVC with pin
	OBS-60-PCV	60 mounting for PVC with pin
18	PZ40/50	Expansion ring
	PZ60/70	Expansion ring
19	SW 40	Octagonal pipe \varnothing 40
	SW 60	Octagonal pipe \varnothing 60
20	RKZ72	Winding wheel for box 200
21	RA-2-00 7 MM	Steel box reinforcement 160, 200 - small
22	RA-10	Steel box reinforcement 135, 160, 200 - large

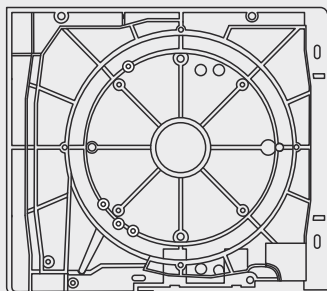
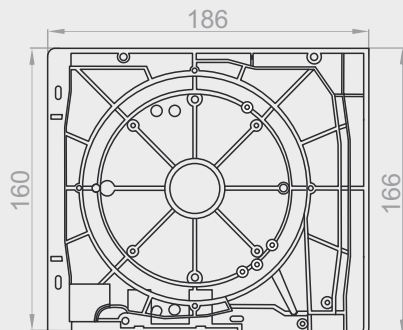


RF100 L

Side of the box 135 left

RF100 P

Side of the box 135 right



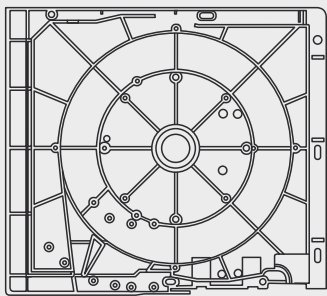
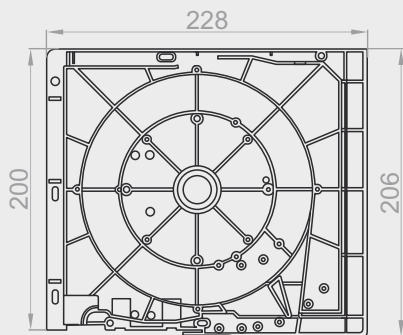
RF200 L

Side of the box 160 left

RF200 P

Side of the box 160 right





RF300 L

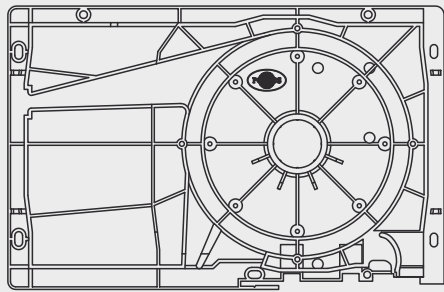
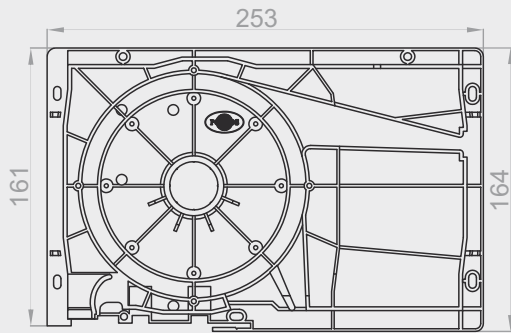
Side of the box 200 left

RF300 P

Side of the box 200 right



Components of the TL1000® system
Box 160, 200 - sides

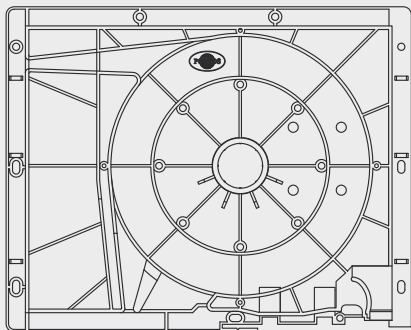
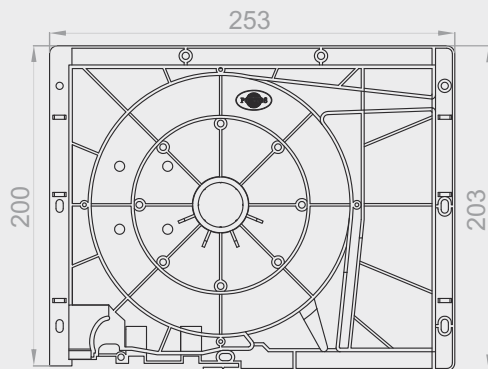


BPRM 200 L

Side of the box 160 left

BPRM 200 P

Side of the box 160 right



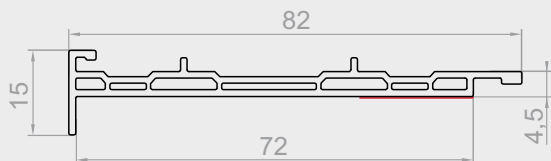
BPRM 300 L

Side of the box 200 left

BPRM 300 P

Side of the box 200 right





RN 1-70 B

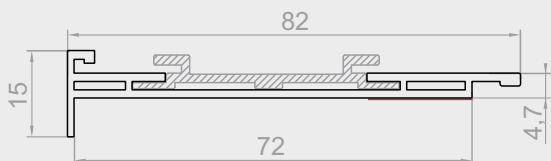
Universal adaptation profile
For window profiles:

Kömmerling (EuroFutur Classic 70mm, Elegance 70mm, MD Classic 70mm, MD Classic półzłocowany 70mm)
KBE (System z uszczelką przylegową 58mm, 70mm)
Rehau (Geneo 86mm)
Oknoplast Kraków (70mm)
Schüco (Corona CT 70 70mm)
Salamander (Salamander 3D 76mm, SL 76mm, Vision 76mm)
Deceuninck (Zendów 3k 70mm, projekt 3000 70mm)
Deceuninck - Thyssen (Prestige 76mm, Prestige Passiv-Haus 76mm)
Wymar (Wymar 60 60mm, Wymar 72 70mm)
Decco (7010 70mm)
Brüggmann (AD 73mm, MD 73mm)



PVC

Max. 6mm



RN 1-70

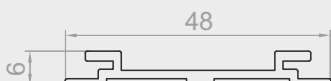
Universal adaptation profile
For window profiles:

Kömmerling (EuroFutur Classic 70mm, Elegance 70mm, MD Classic 70mm, MD Classic półzłocowany 70mm)
KBE (System z uszczelką przylegową 58mm, 70mm)
Rehau (Geneo 86mm), Oknoplast Kraków (70mm)
Schüco (Corona CT 70 70mm)
Salamander (Salamander 3D 76mm, SL 76mm, Vision 76mm)
Deceuninck (Zendów 3k 70mm, projekt 3000 70mm)
Deceuninck - Thyssen (Prestige 76mm, Prestige Passiv-Haus 76mm)
Wymar (Wymar 60 60mm, Wymar 72 70mm)
Decco (7010 70mm)
Brüggmann (AD 73mm, MD 73mm)



PVC

Max. 6mm



NPL-020

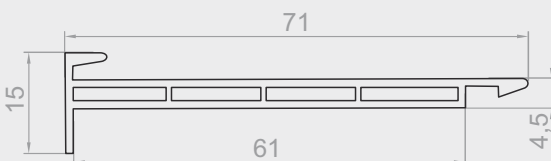
Adapter aluminium insert RN 1-70.



ALU



Max. 6mm



RN1

Adaptation profile
For window profiles:

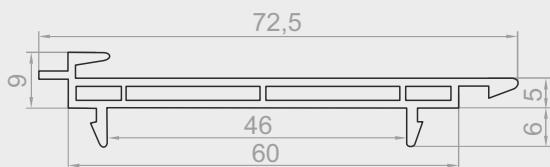
Kömmerling (EuroFutur Classic 70mm, Elegance 70mm, MD Classic 70mm, MD Classic półzłocowany 70mm)
KBE (System z uszczelką przylegową 58mm, 70mm)
Rehau (Geneo 86mm)
Oknoplast Kraków (70mm)
Schüco (Corona SI 82, 82+; 82 mm)
Salamander (Salamander 3D 76mm, SL 76mm, Vision 76mm)
Deceuninck (Zendów 3k 70mm, projekt 3000 70mm)
Deceuninck - Thyssen (Prestige 76mm, Prestige Passiv-Haus 76mm)
Wymar (Wymar 60 60mm, Wymar 72 70mm)
Decco (7010 70mm)
Aluplast (Ideal 7000 80mm)



PVC



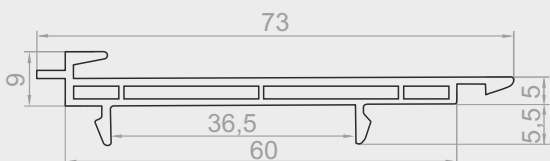
Max. 6mm



RN5

Adaptation profile
 For window profiles:

Veka (Softline 58mm, 70mm)
 Kömmerling (58mm)
 Deceuninck (Zendów 5k 70mm, Zendów 70 70mm)
 Deceuninck-Thyssen (Optima 71mm)

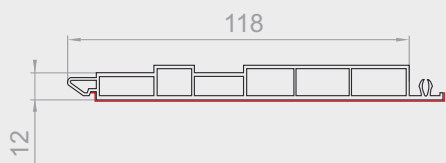


RN10

Adaptation profile
 For window profiles:

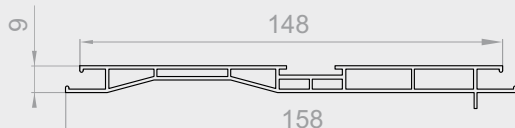
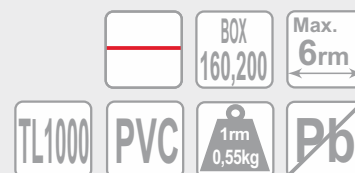
Aluplast (Ideal 2000 60mm, 4000 70mm, 5000 70mm)
 Drutex (Igló 5 70mm)





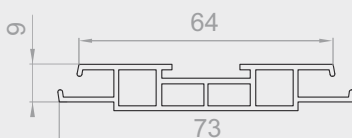
PKL1

Inspection cover of the box 160, 200.



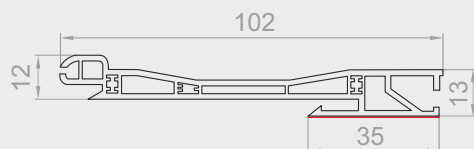
PGL 1-K

Top profile of the box 160.



PGL 2-K

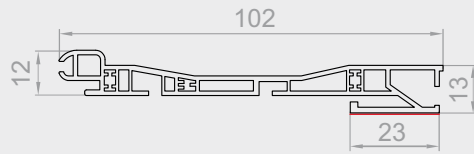
Top profile of the box 200.



RK2

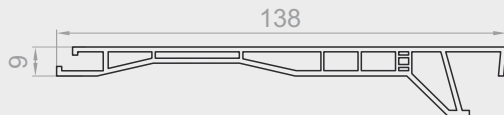
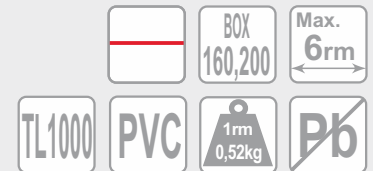
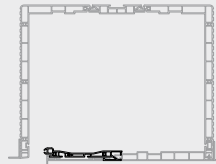
Mounting profile of the box 135, 160, 200.





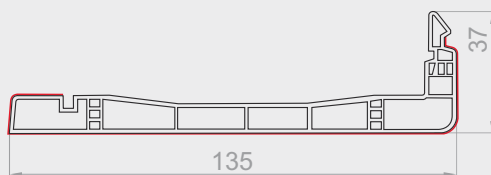
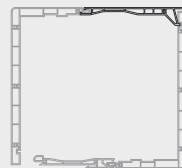
RK2 70

Mounting profile of the box 160, 200.



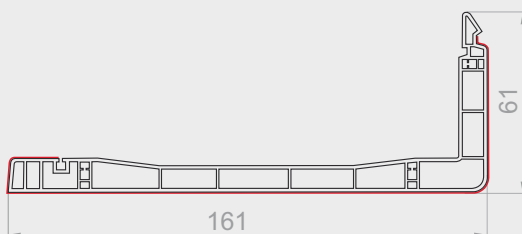
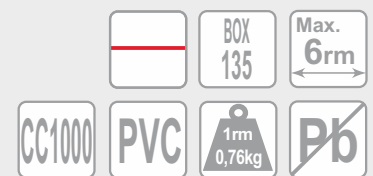
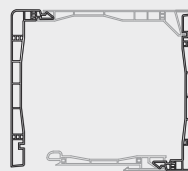
RK 3

Top profile of the box 135, 160, 200.



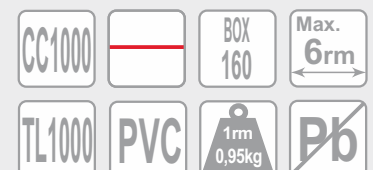
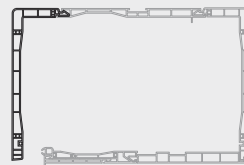
RK 40

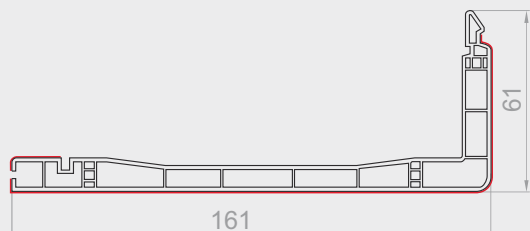
Inner and outer cover of the box 135.



RK 50

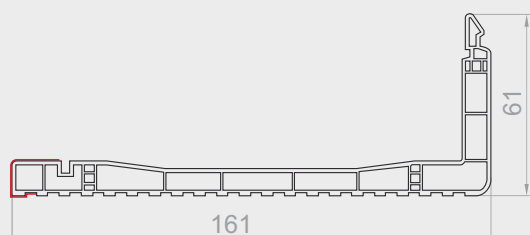
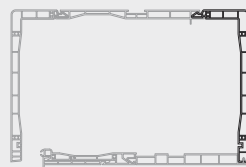
Outer cover of the box 160 - TL1000.
Inner and outer cover of the box 160 - CC1000.





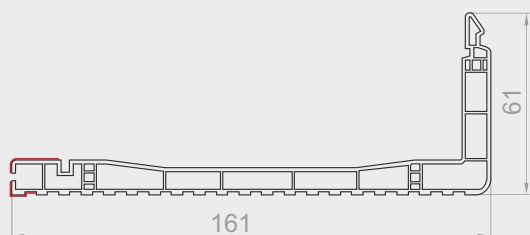
RKT 50

Inner cover of the box 160.



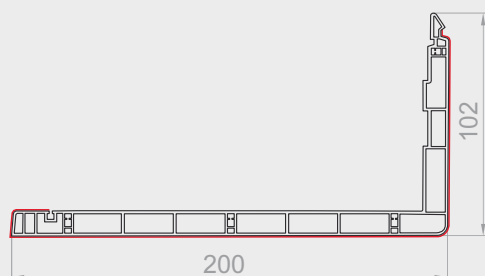
RK50 R

Outer cover of the box 160 - grooved - TL1000.
Inner and outer cover of the box 160
- grooved - CC1000.



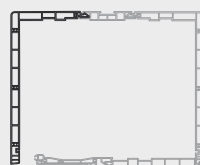
RKTR 50

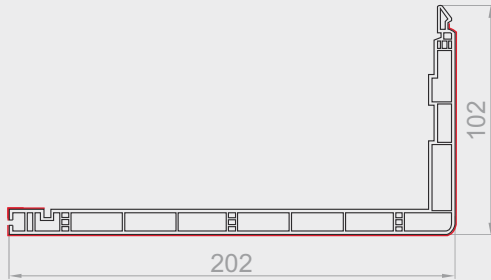
Inner cover of the box 160 - grooved.



RK 60

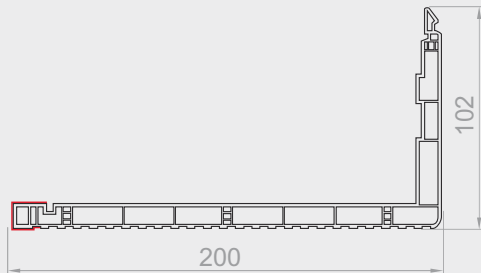
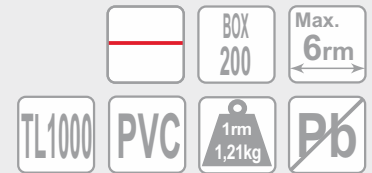
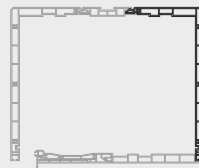
Outer cover of the box 200 - TL1000.
Inner and outer cover of the box 200 - CC1000.





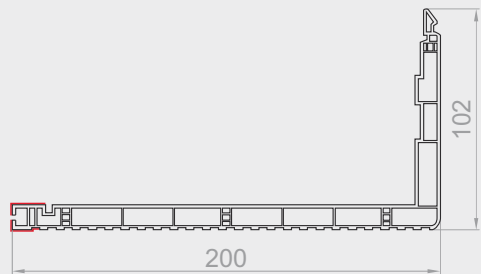
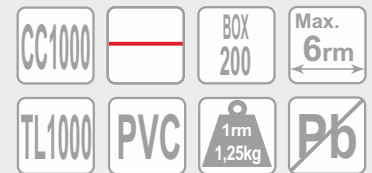
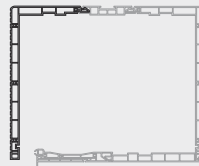
RKT 60

Inner cover of the box 200.



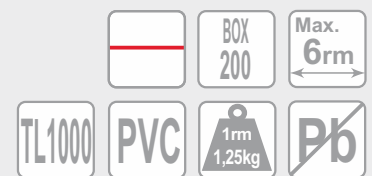
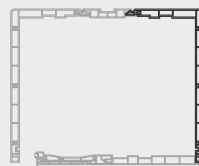
RK60 R

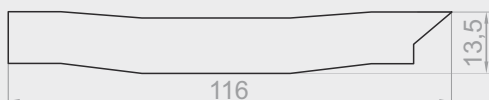
Outer cover of the box 200 - grooved - TL1000.
 Inner and outer cover of the box 200 - grooved - TL1000.



RKTR 60

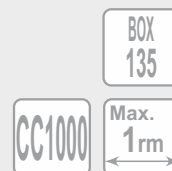
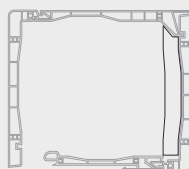
Inner cover of the box 200 - grooved.





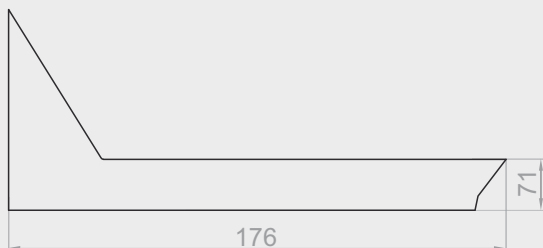
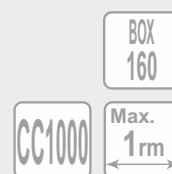
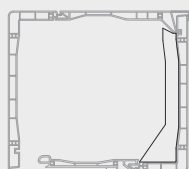
RW 1

Thermal insulation of the box 135 mm.



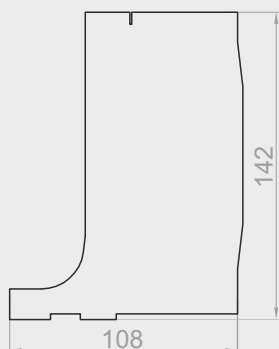
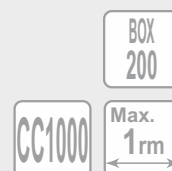
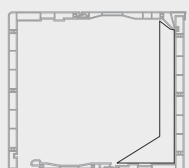
RW 2

Thermal insulation of the box 160 mm.



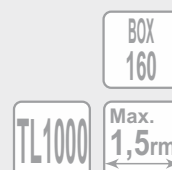
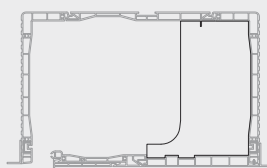
RW 3

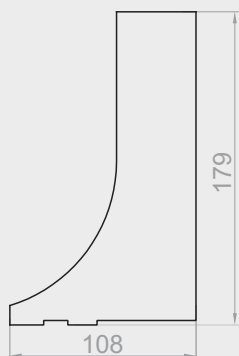
Thermal insulation of the box 200 mm.



BPRN 200

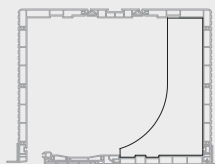
Styrofoam insert of the box 160.





BPRN 300

Styrofoam insert of the box 200.



BOX
200

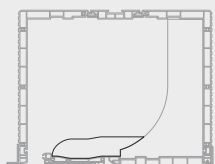
TL1000

Max.
1,5rm



BPRN 300 2/S

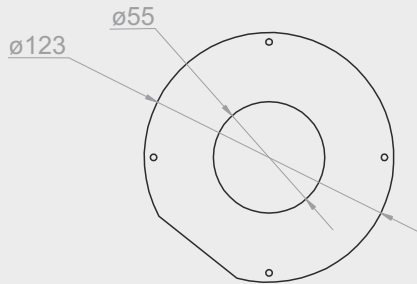
Bottom styrofoam insert of the box 200.



BOX
200

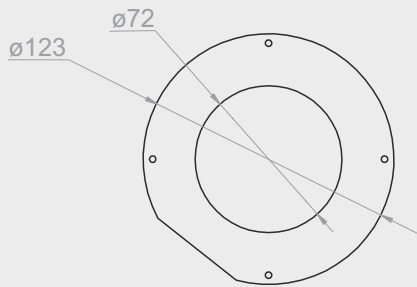
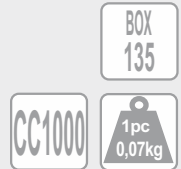
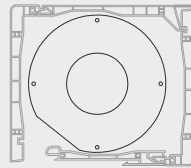
TL1000

Max.
1,5rm



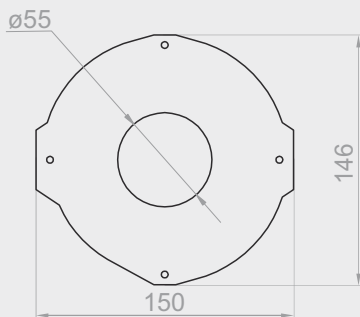
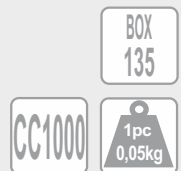
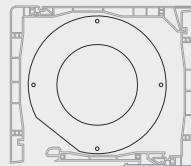
OWCT 135/40

Inner cover of the box 135 mm for pipe $\varnothing 40$.



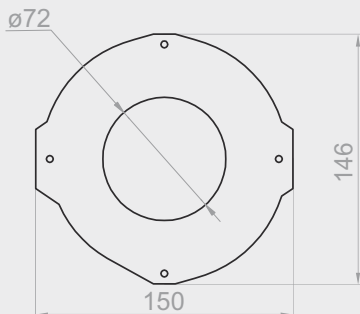
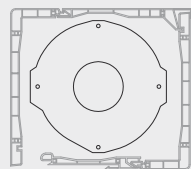
OWCT 135/60

Inner cover of the box 135 mm for pipe $\varnothing 60$.



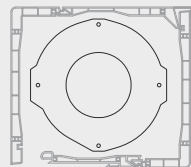
OWCT 160/40

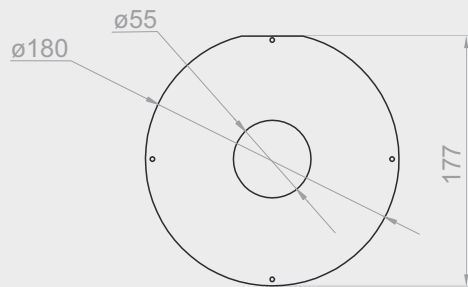
Inner cover of the box 160 mm for pipe $\varnothing 40$.



OWCT 160/60

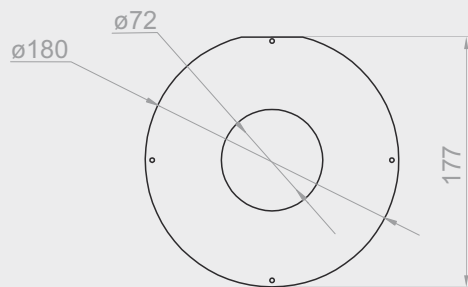
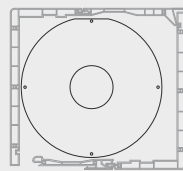
Inner cover of the box 160 mm for pipe $\varnothing 60$.





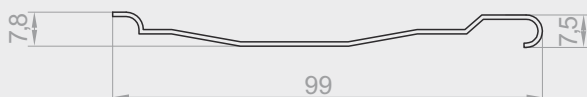
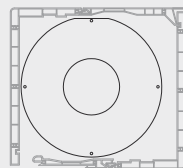
OWCT 200/40

Inner cover of the box 200 mm for pipe \varnothing 40.



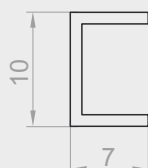
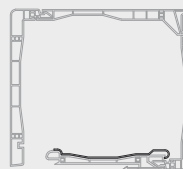
OWCT 200/60

Inner cover of the box 200 mm for pipe \varnothing 60.



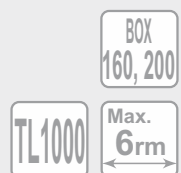
RA-10 99mm

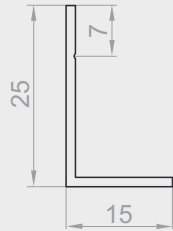
Steel box reinforcement 135, 160, 200 - large.



RA-2-00 7 MM

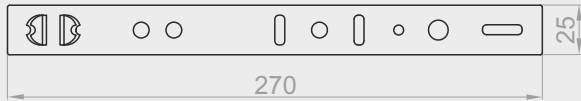
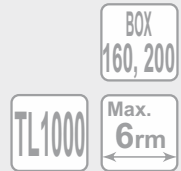
Steel box reinforcement 160, 200 - small
 (for the concealed lath).





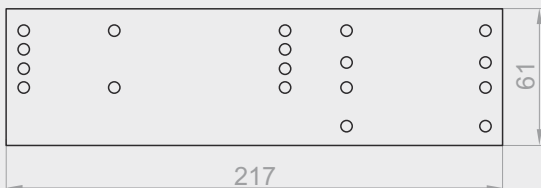
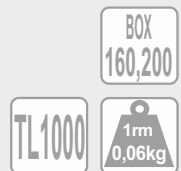
LT

Concealed lath of the box 160, 200.



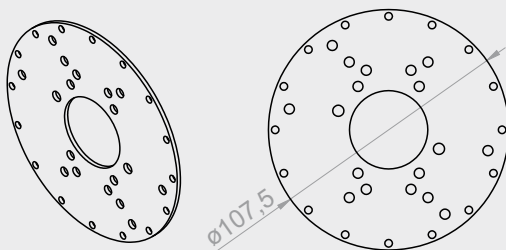
SKM-TL1000

Steel mounting anchor.



RKZ 66

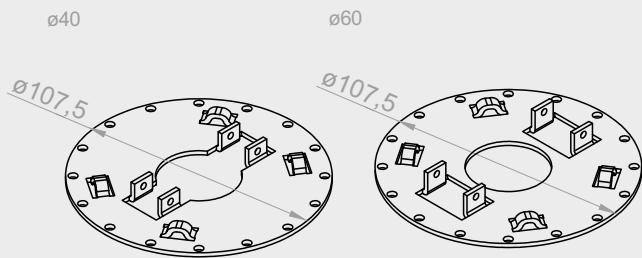
Steel side handle for box.



RKZ 56

Plate for installation of motors.



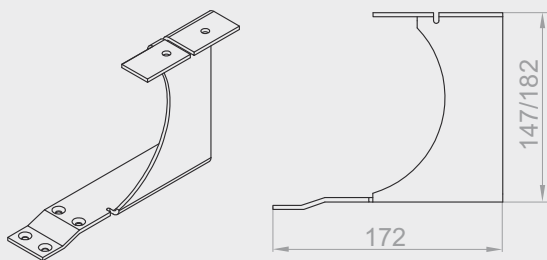


RKZ P4

Plate for installation of motors for ø40 pipe.

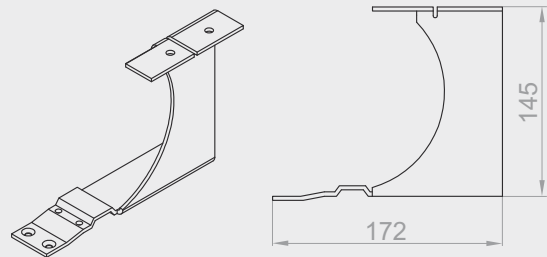
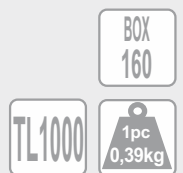
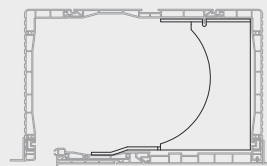
RKZ P6

Plate for installation of motors for ø60 pipe.



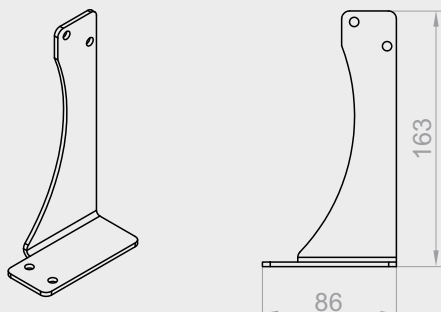
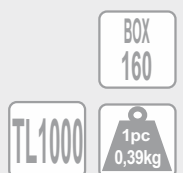
KNS-160

Stabilizing console for box 160 without reinforcement.



KNS-WSP-160

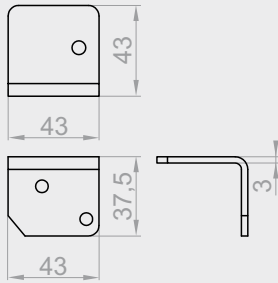
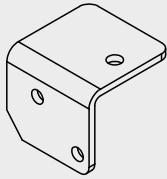
Stabilizing console for box 160 with reinforcement.



KNST-200

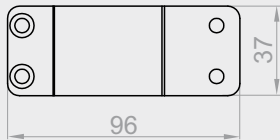
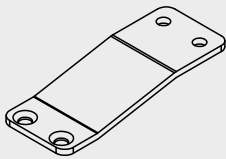
Component of the stabilizing console for box 200 with / without reinforcement.





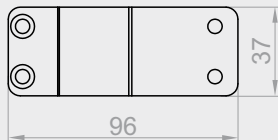
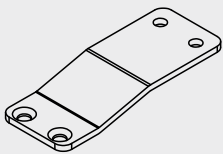
KNST-030

Upper connector of the stabilizing console for box 200 with / without reinforcement.



KNST-040

Lower connector of the stabilizing console for box 200 without reinforcement.



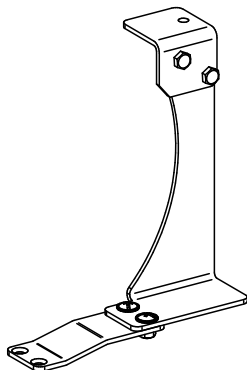
KNST-050

Lower connector of the stabilizing console for box 200 with reinforcement.

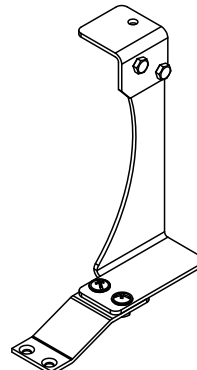


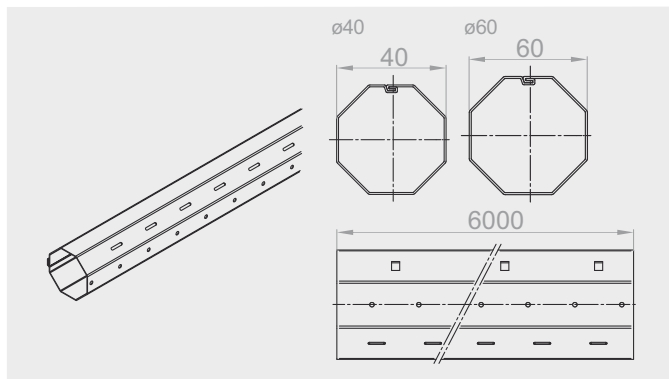
View of the stabilizing console with connectors.

KNSK-WSP-200
(with reinforcement)



KNSK-200
(without reinforcement)



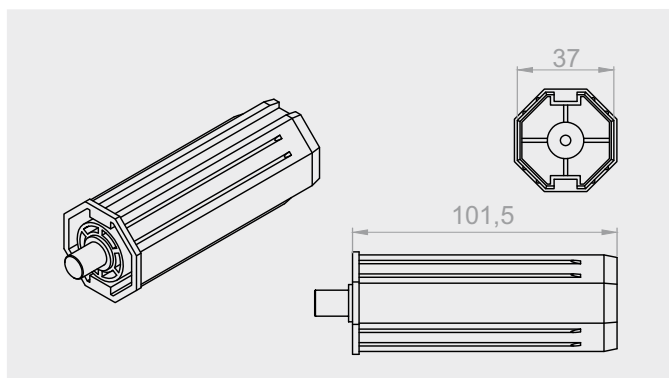
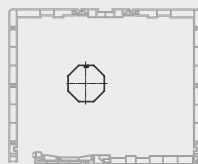


SW 40

Octagonal pipe ø 40.

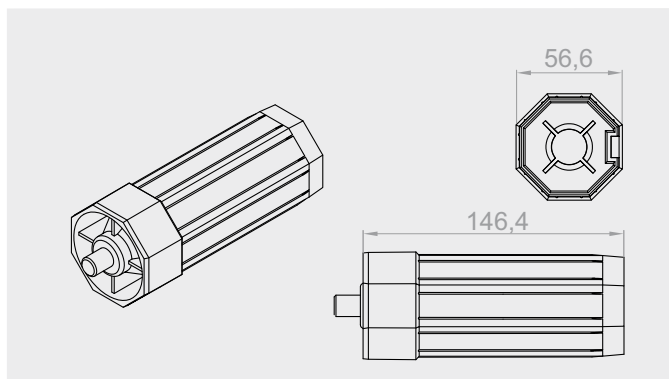
SW 60

Octagonal pipe ø 60.



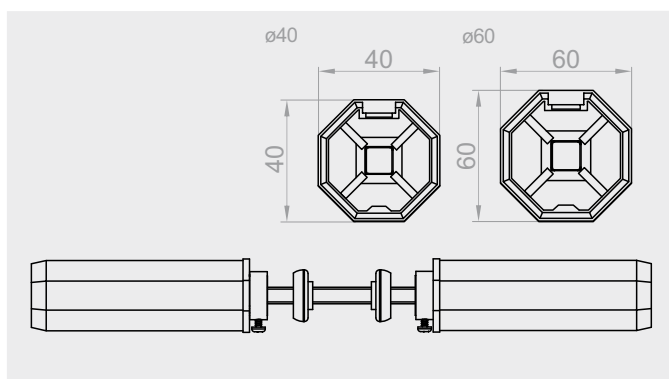
OBS-40-PVC

PVC mounting with pin for pipe ø 40.



OBS-60-PVC

PVC mounting with pin for pipe ø 60.



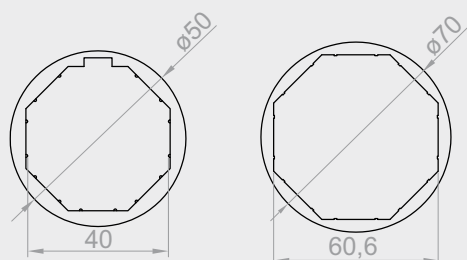
RKZ 34

Roller bolt for ø 40 pipe
(to transfer power).

RKZ 35

Roller bolt for ø 60 pipe
(to transfer power).



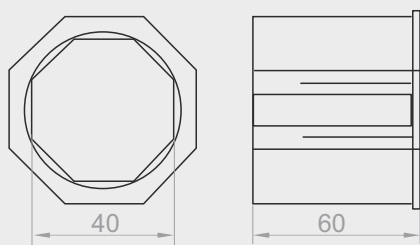


PZ 40/50

Expansion ring 40/50.

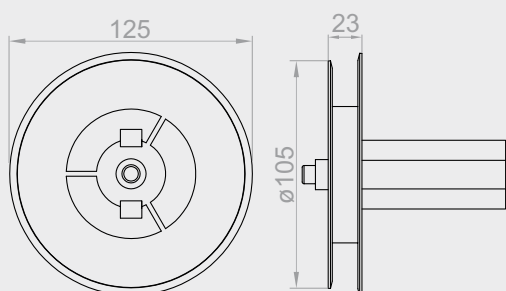
PZ 60/70

Expansion ring 60/70.



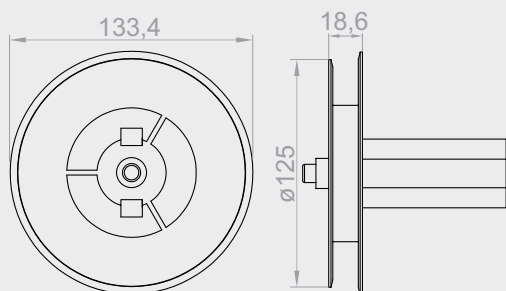
RED-40-60

Reduction 40/60.



RKZ 70

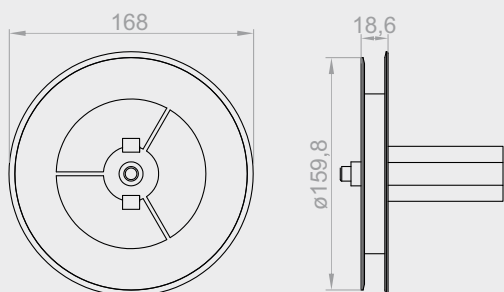
Winding wheel for box 135.



RKZ 71

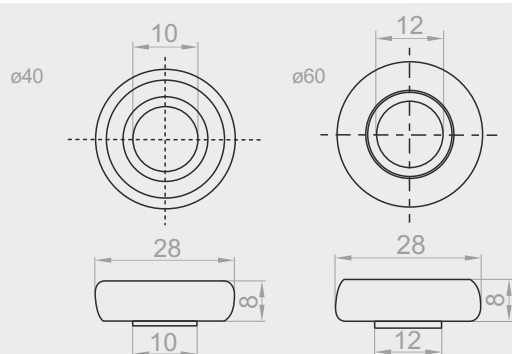
Winding wheel for box 160.





RKZ 72

Winding wheel for box 200.

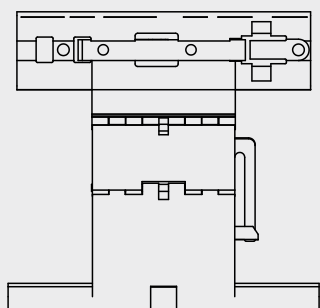


LO-28/10

Bearing for PVC boxes for \varnothing 40.

LO-28/12 PCV

Bearing for PVC boxes for \varnothing 60.



WBZ1-40

1-piece blocking hitch bracket for \varnothing 40 pipe.

WBZ2-40

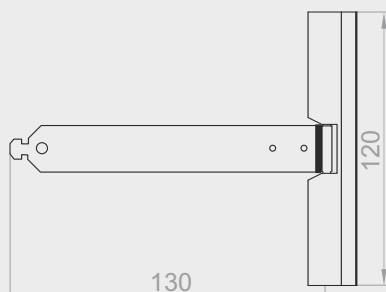
2-piece blocking hitch bracket for \varnothing 40 pipe.

WBZ1-60

1-piece blocking hitch bracket for \varnothing 60 pipe.

WBZ2-60

2-piece blocking hitch bracket for \varnothing 60 pipe.



WS-37/40-130

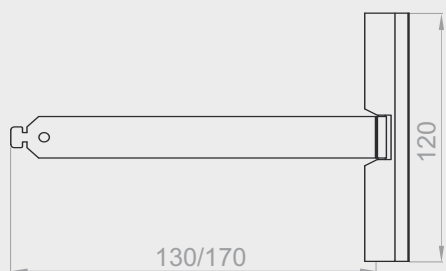
Steel hanger 130.





WS-37/40-170

Steel hanger 170.



WS-37/40-130 S

Steel hanger 130 (electrically powered shutters).

WS-37/40-170 S

Steel hanger 170 (electrically powered shutters).

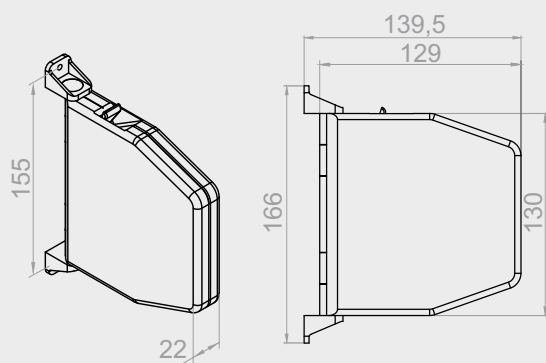


WS-37/40-130 ALU

Aluminium hanger.

WS-37/40-170 ALU

Aluminium hanger.



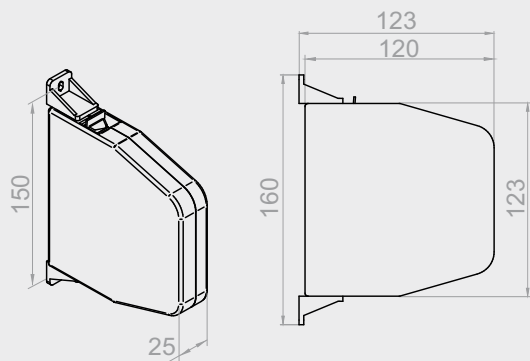
ZT-5M XX

Tape coiler 5m white

Available in colors (XX):

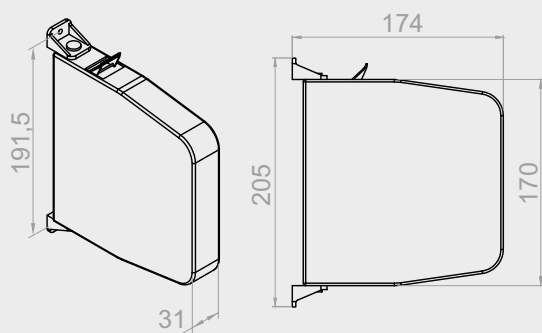
02 - white, 08 - dark brown.





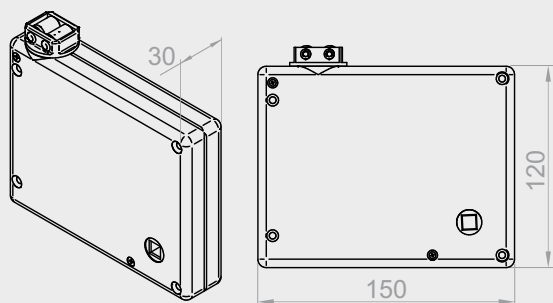
ZT/L-5M-XX

Universal tape / cord coiler up to 5m
Available in colors (XX):
23 - anthracite.



ZT-11M XX

Tape coiler 11m.
Available in colors (XX):
02 - white, 08 - dark brown.

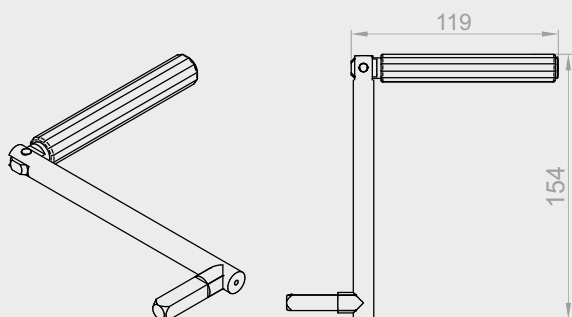


KPTKM-XX

Cassette with tape transmission.
Available in colors (XX):
02 - white, 08 - dark brown.

KPLKM-XX

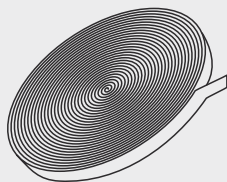
Cassette with cord transmission.
Available in colors (XX):
02 - white, 08 - dark brown.



KRM-140

Mignon crank 140 mm.



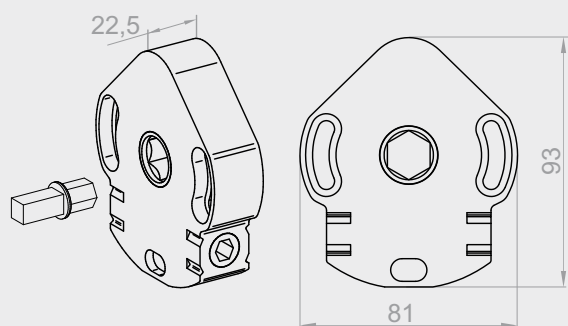


TS-14-XX

Tape.

Available in colors (XX):

03 - gray, 08 - dark brown, 23 - anthracite.

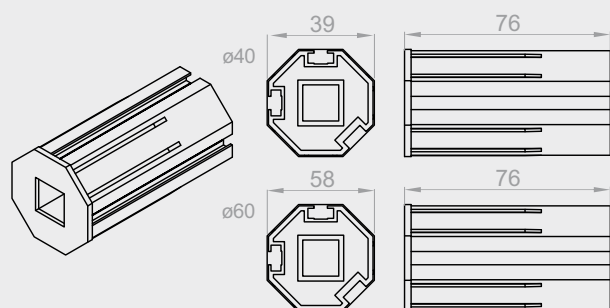


ACE-1-8

Crank mechanism - 22 kg.

ACE-1-11

Crank mechanism - 32 kg.

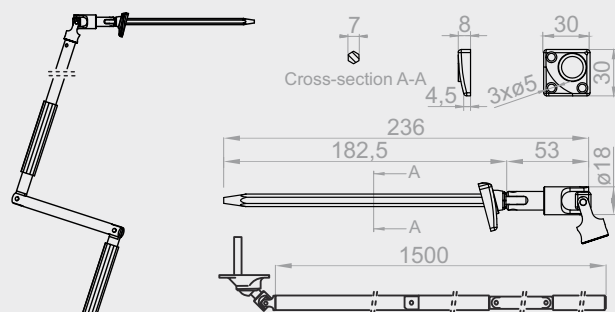


OBS-40-ACE

$\varnothing 40$ mounting for the ACE mechanism.

OBS-60-ACE

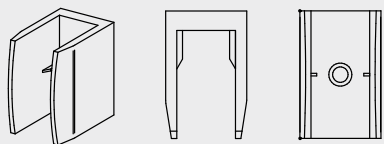
$\varnothing 60$ mounting for the ACE mechanism.



KRH-ZF

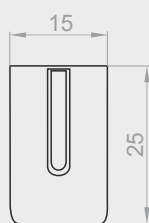
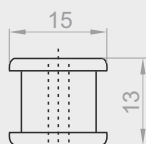
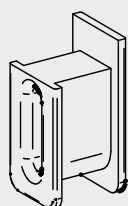
Cardan 165 with 1430 mm crank.





U-KRD

Handle for mounting the crank.

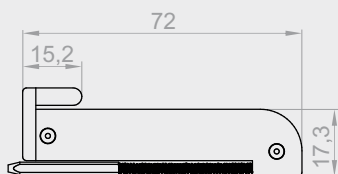
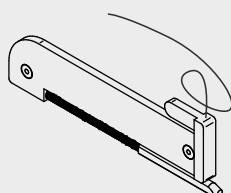


E-R265-6

Belt guide - 02 (white).

E-R265-7

Belt guide - 08 (brown).

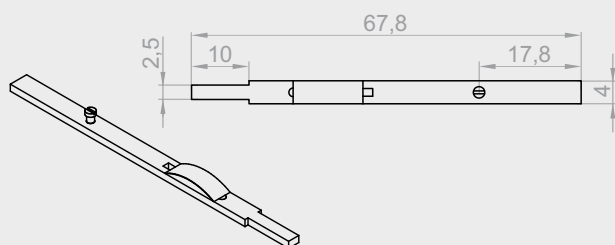


RA

Automatic bolt.

Minimum shutter width - 45 cm.

Minimum shutter height - 90 cm.

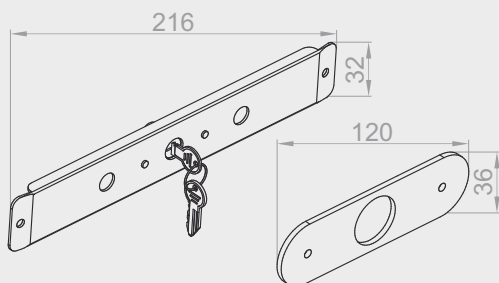


ZR

Latch (manual bolt)

Minimum shutter width - 45 cm.





ZB

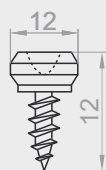
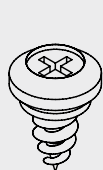
Cylinder lock, set of keys (3 pieces) and covering plate.
The covering plate is mounted as standard from the outside.

Minimum shutter width - 45 cm.

Available in colors (XX):

01 - silver, 02 - white, 03 - gray, 04 - dark beige, 05 - light beige, 07 - light gray, 08 - dark brown, 09 - light brown, 13 - green, 15 - cream white, 16 - ivory, 19 - maroon, 20 - black, 23 - anthracite, 26 - steel olive.

NYP



NYP45

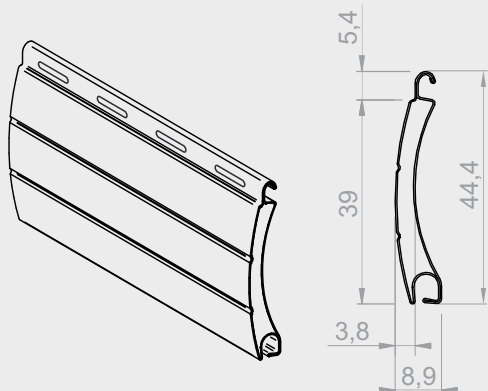


NYP

Guide nipple.

NYP45

45 mm guide nipple.



PA 39/0k

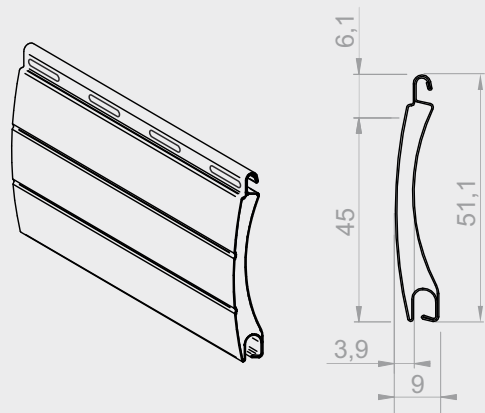
PA 39 Aluminium profile - perforated.

PA 39/1k

PA 39 Aluminum profile - non-perforated.

Profile height	39 mm
Profile thickness	8,9 mm
Profile weight 1 m ²	2,8 kg
Maximum profile length	6 rm
Number of laths 1m high	26 pcs
Maximum area	6,5 m ²
Maximum shutter width	2500 mm

Profile colors (k)																					
01 - silver	02 - white	03 - grey	04 - dark beige	05 - beige	07 - light grey	08 - dark brown	09 - brown	13 - green	15 - cream white	16 - ivory	19 - maroon	20 - black	22 - mahogany	23 - anthracite	24 - steel anthracite DB703	26 - steel olive	27 - basalt grey	30 - walnut	34 - bog oak	48 - golden oak	54 - winchester



PA 45/0k

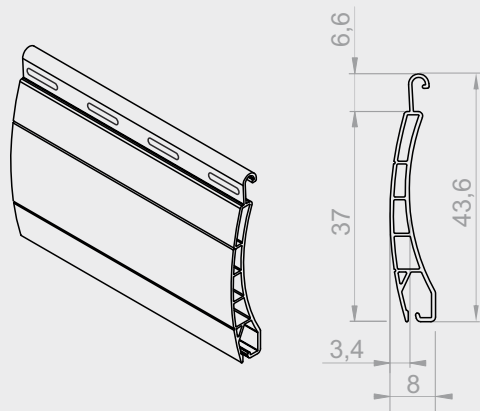
PA 45 Aluminium profile - perforated.

PA 45/1k

PA 45 Aluminum profile - non-perforated.

Profile height	45 mm
Profile thickness	9 mm
Profile weight 1 m ²	2,9 kg
Maximum profile length	5,4 rm
Number of laths 1m high	23 pcs
Maximum area	6,5 m ²
Maximum shutter width	3000 mm



Profile colors (k)																	
01 - silver	02 - white	03 - grey	04 - dark beige	05 - beige	07 - light grey	08 - dark brown	09 - brown	13 - green	15 - cream white	16 - ivory	19 - maroon	22 - mahogany	23 - anthracite	26 - steel olive	30 - walnut	48 - Golden oak	54 - winchester

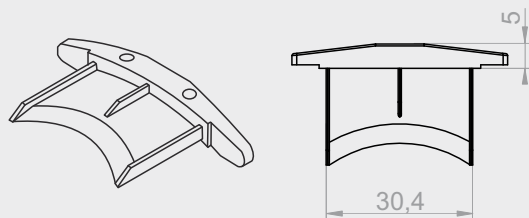


PVC 37/0k

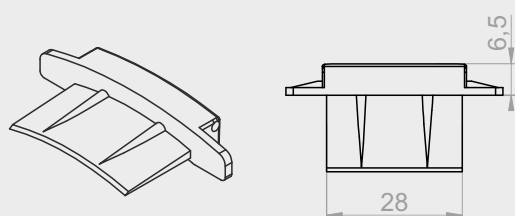
Profile PVC 37 - perforated.

Profile height	37 mm
Profile thickness	8 mm
Profile weight 1 m ²	3,5 kg
Maximum profile length	6 m
Number of laths 1m high	27 pcs
Maximum area	3,0 m ²
Maximum shutter width	1600 mm

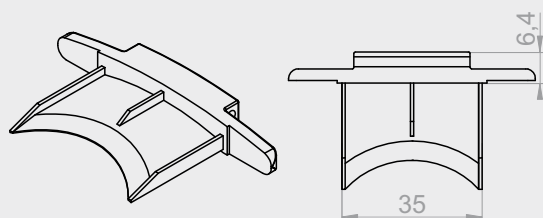
Profile colors (k)		
02 - white	03 - grey	05 - beige
		



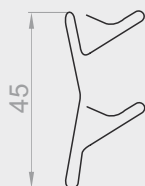
APA 39 M
PA 39 Profile plug.



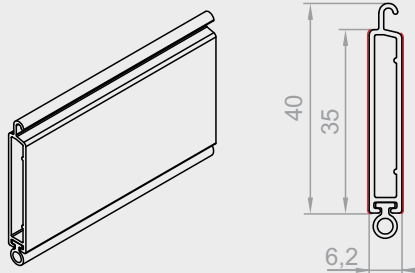
APA 37-R
PA 39 Profile plug bolt.



APA 45-R
PA 45 Profile plug bolt.



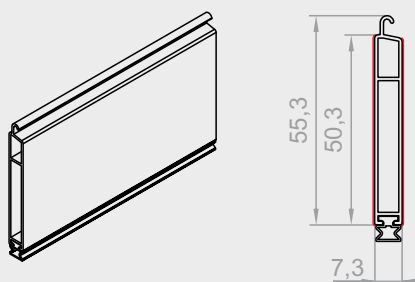
APA 37-PCV
PVC 37 Profile plug.



LD-35 MINI

Bottom lath for profiles PA 39, PA 45, PVC 37 with KA-44B seal.

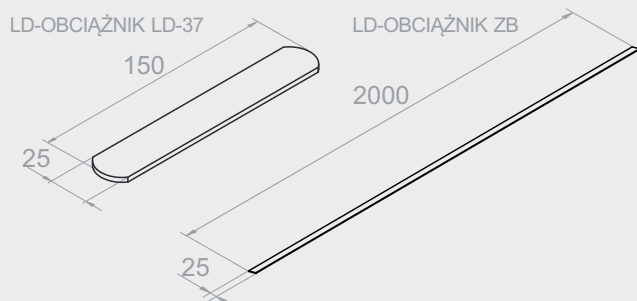
Index/color (XX)	01 - silver	02 - white	03 - gray	04 - dark beige	05 - light beige	07 - light gray	08 - dark brown	09 - light brown	13 - green	15 - cream white	16 - ivory	19 - maroon	20 - black	22 - mahogany	23 - anthracite	26 - steel olive	27 - basalt gray	30 - walnut	34 - Bog oak	48 - golden oak	54 - winchester	
LD-35 MINI XX	X	X	X	X	X	X	X	X	X	X	X	X	X	X	X	X	X	X	X	X	X	X



LD-37

Bottom lath for profiles PA 39, PA 45, PVC 37 with KA-44 seal.

Index/color (XX)	01 - silver	02 - white	03 - gray	04 - dark beige	05 - light beige	07 - light gray	08 - dark brown	09 - light brown	13 - green	15 - cream white	16 - ivory	19 - maroon	20 - black	22 - mahogany	23 - anthracite	26 - steel olive	27 - basalt gray	30 - walnut	34 - Bog oak	48 - golden oak	54 - winchester	
LD-37 XX	X	X	X	X	X	X	X	X	X	X	X	X	X	X	X	X	X	X	X	X	X	X

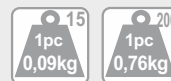


LD-OBCIAŻNIK LD-37

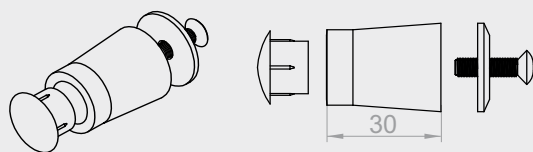
Bottom lath weight 15 cm.

LD-OBCIAŻNIK ZB

200 cm bottom lath weight - for cylinder lock.



BF



BF (without the profile plug)

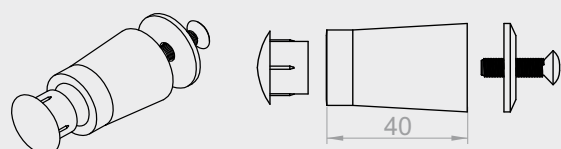
BF-ZAT

Bottom lath buffer

} SET

Index/color (XX)	01 - silver	02 - white	03 - gray	04 - dark beige	05 - light beige	07 - light gray	08 - dark brown	09 - light brown	13 - green	15 - cream white	16 - ivory	19 - maroon	20 - black	22 - mahogany	23 - anthracite	26 - steel olive	27 - basalt gray	30 - walnut	34 - Bog oak	48 - golden oak	54 - winchester	
BF XX/BF-ZAT XX	X	X	X	X	X	X	X	X	X	X	X	X	X	X	X	X	X	X	X	X	X	X

BF-40 MM



BF-40 MM (without the profile plug)

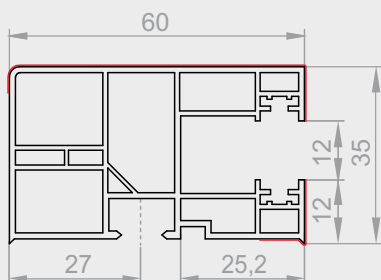
BF-ZAT

Bottom lath buffer

} SET

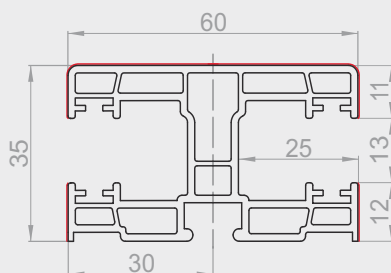
Index/color (XX)	01 - silver	02 - white	03 - gray	04 - dark beige	05 - light beige	07 - light gray	08 - dark brown	09 - light brown	13 - green	15 - cream white	16 - ivory	19 - maroon	20 - black	22 - mahogany	23 - anthracite	26 - steel olive	27 - basalt gray	30 - walnut	34 - Bog oak	48 - golden oak	54 - winchester	
BF-40 XX/BF-ZAT XX	X	X	X	X	X	X	X	X	X	X	X	X	X	X	X	X	X	X	X	X	X	X





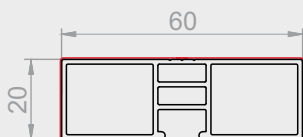
RK-16

Single guide with brush seal.



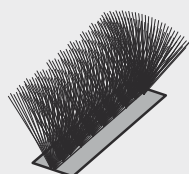
RK-18

Single / double guide with brush seal.



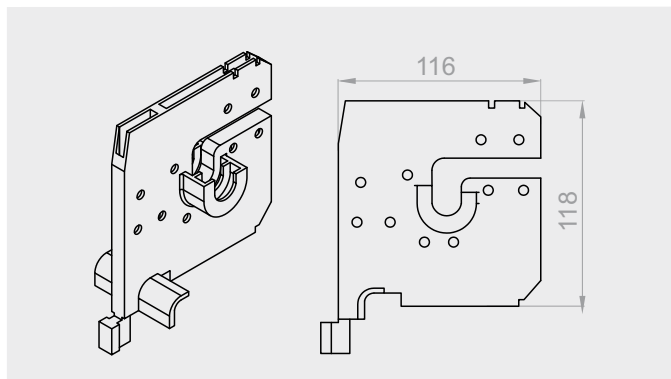
DP-PCV-20

60x20 guide spacer.



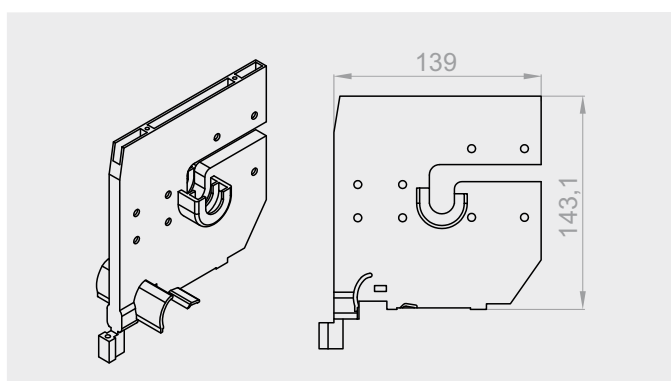
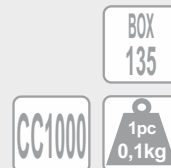
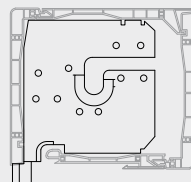
SP-7x6-3P SP

Brush seal for guides.



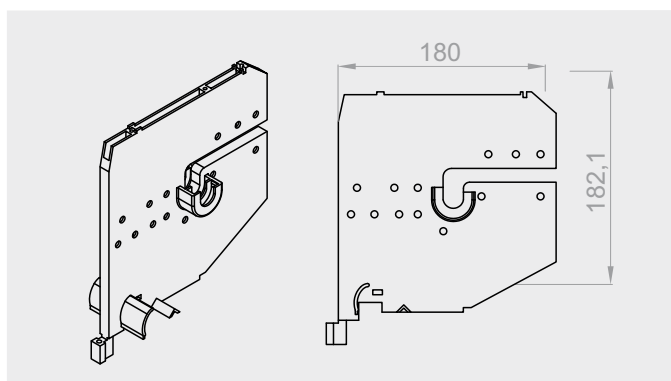
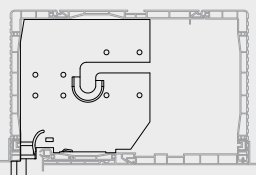
RKM101

135 box division for a double guide.



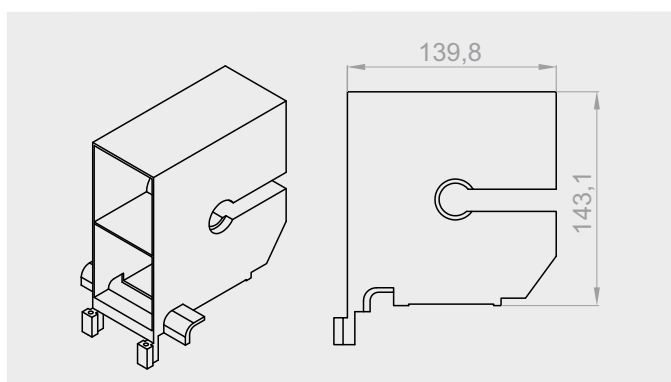
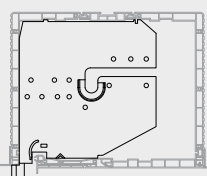
RKM201

160 box division for a double guide.



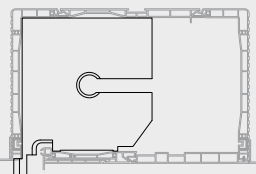
RKM301

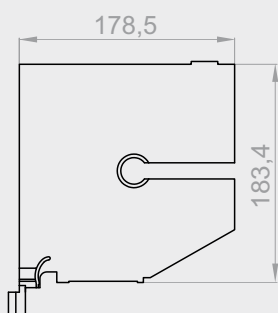
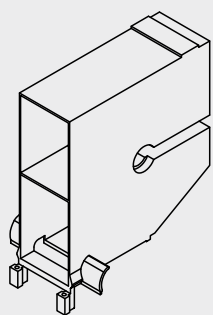
200 box division for a double guide.



RKB2

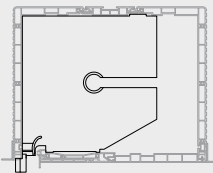
160 box division for two single guides.





RKB3

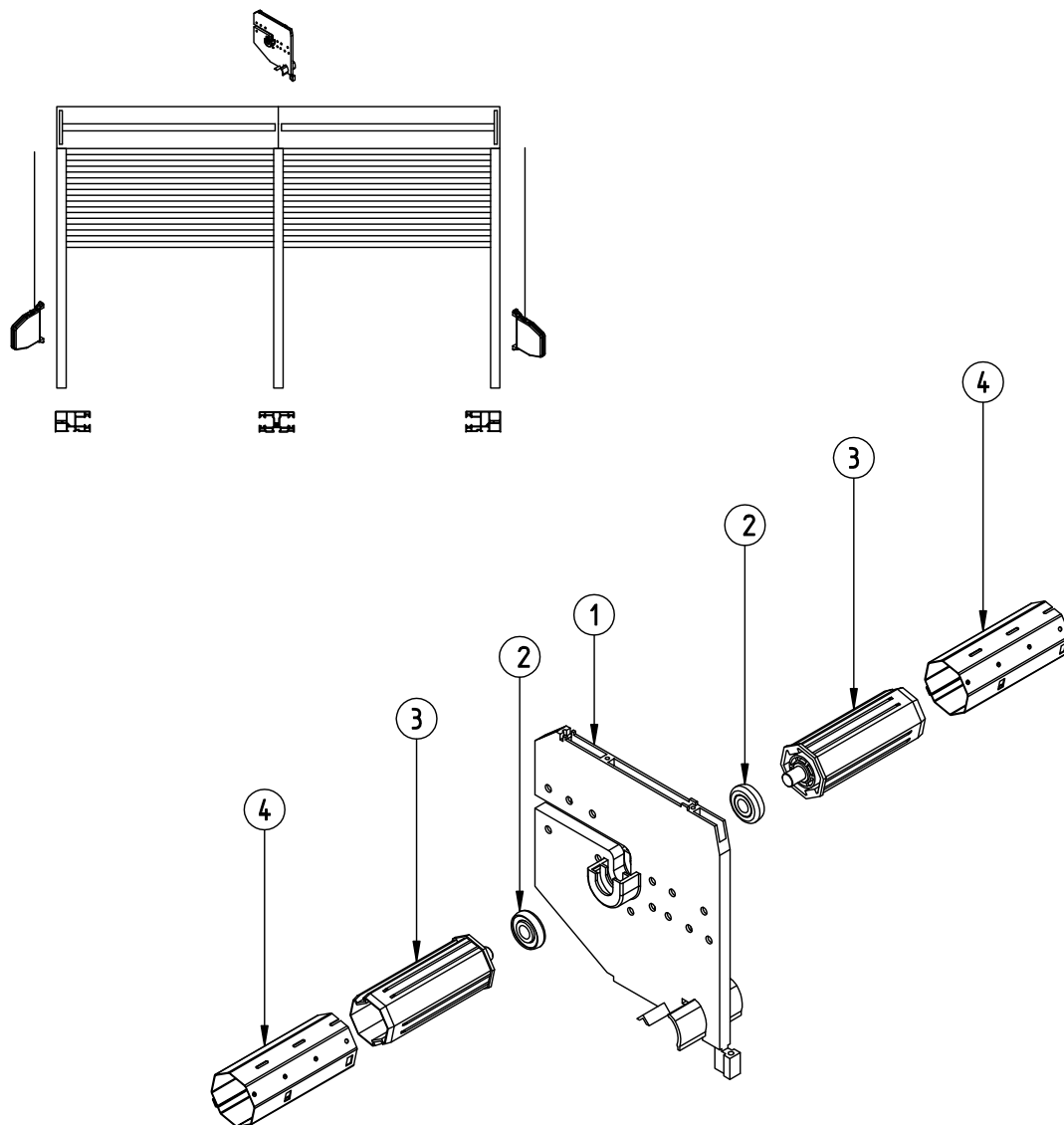
200 box division for two single guides.



BOX
200

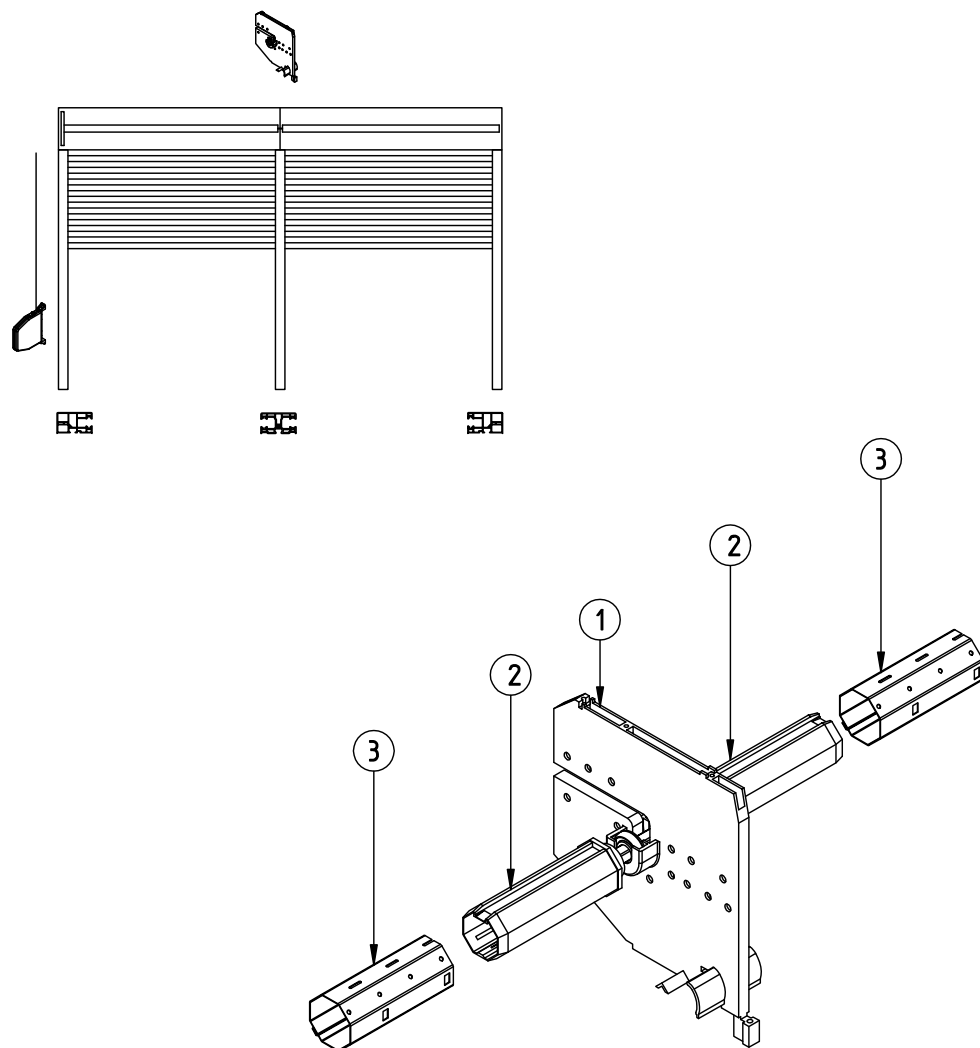
1pc
0,2kg

Division for a double guide in a shutter with independent drive.



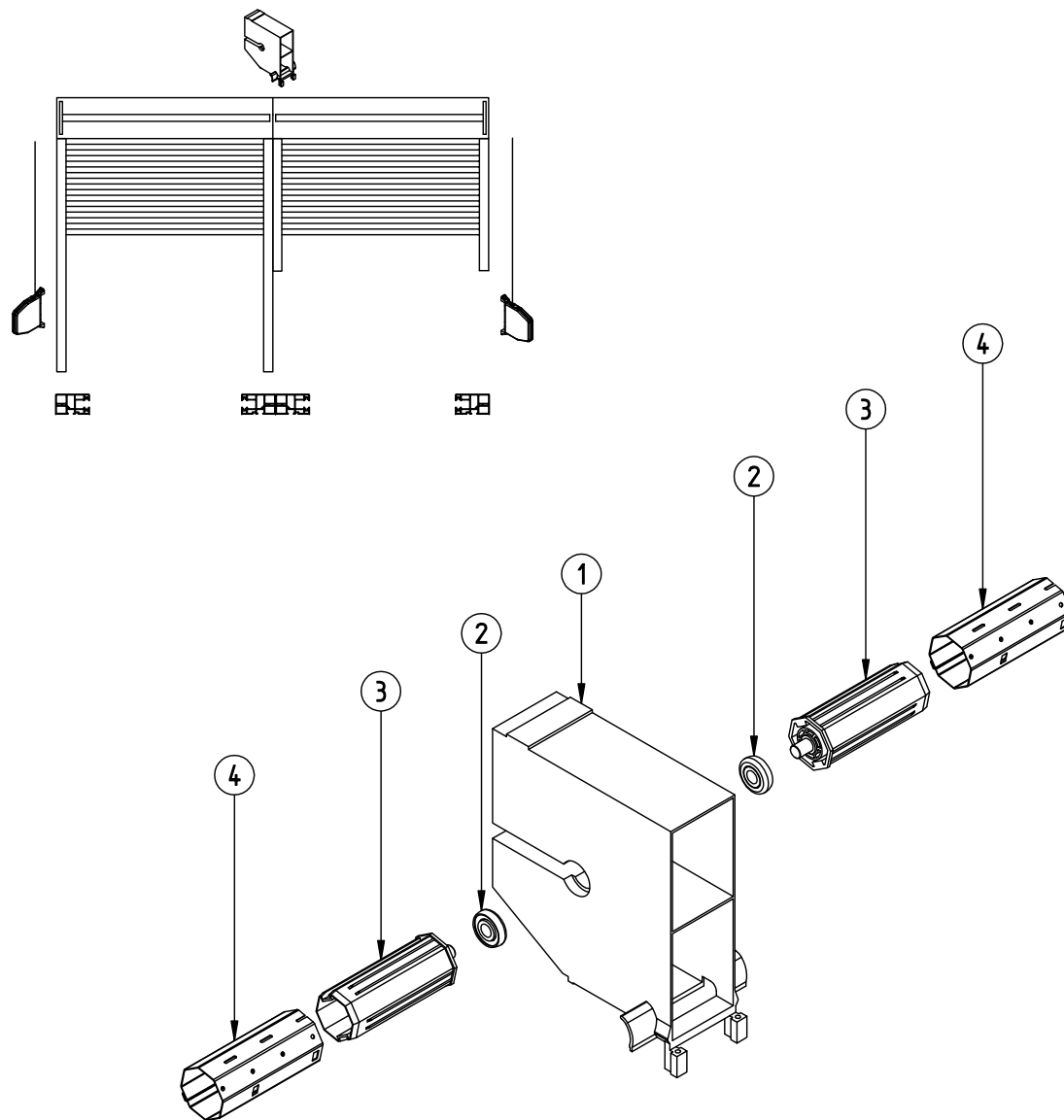
1	RKM101	135 box division for a double guide
	RKM201	160 box division for a double guide
	RKM301	200 box division for a double guide
2	LO 28/10	Bearing 28/10 for PVC
	LO 28/12 PCV	Bearing 28/12 for PVC
3	OBS-40-PCV	40 mounting for \varnothing 40 pipe with pin
	OBS-60-PCV	60 mounting for \varnothing 60 pipe with pin
4	SW 40	Octagonal pipe \varnothing 40
	SW 60	Octagonal pipe \varnothing 60

Division for a double guide in a shutter with dependent drive.



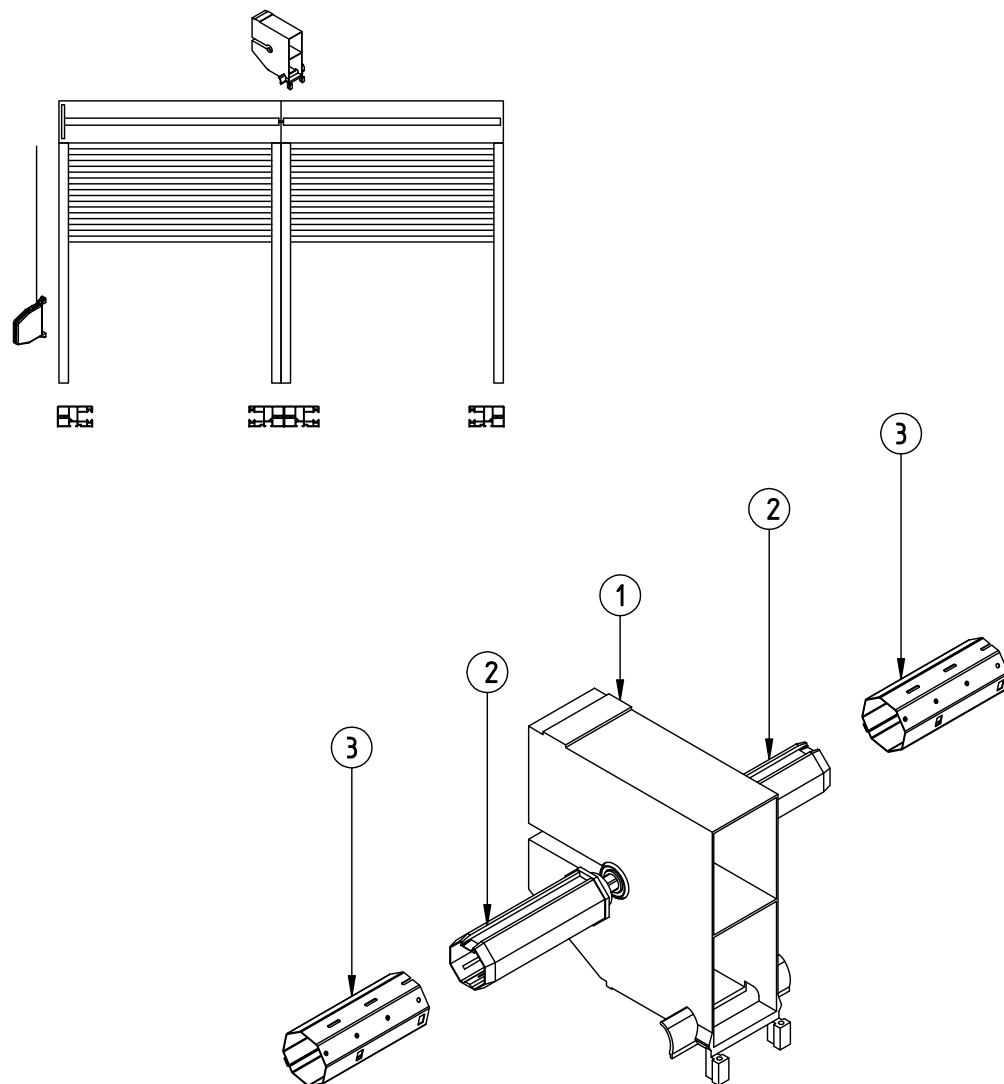
1	RKM101	135 box division for a double guide
	RKM201	160 box division for a double guide
	RKM301	200 box division for a double guide
2	RKZ34	Roller bolt for \varnothing 40 pipe
3	SW 40	Octagonal pipe \varnothing 40
	SW 60	Octagonal pipe \varnothing 60

Division for two single guides in a shutter with independent drive.



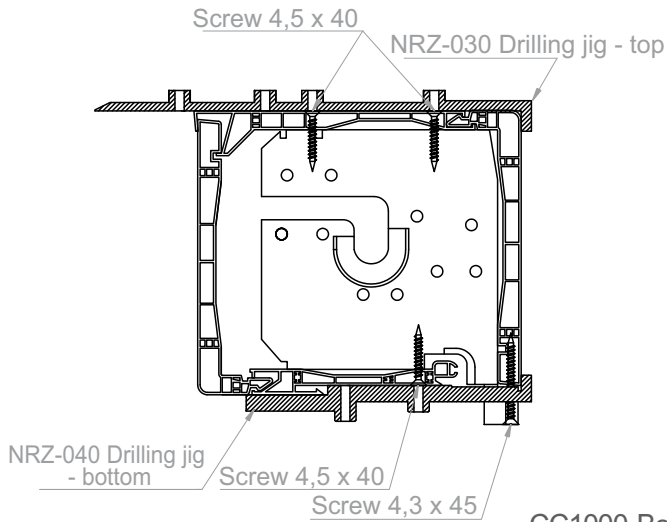
1	RKB2	160 box division for two single guides
	RKB3	200 box division for two single guides
2	LO 28/10	Bearing 28/10 for PVC
	LO 28/12 PCV	Bearing 28/12 for PVC
3	OBS-40-PCV	40 mounting for \varnothing 40 pipe with pin
	OBS-60-PCV	60 mounting for \varnothing 60 pipe with pin
4	SW 40	Octagonal pipe \varnothing 40
	SW 60	Octagonal pipe \varnothing 60

Division for two single guides in a shutter with dependent drive.

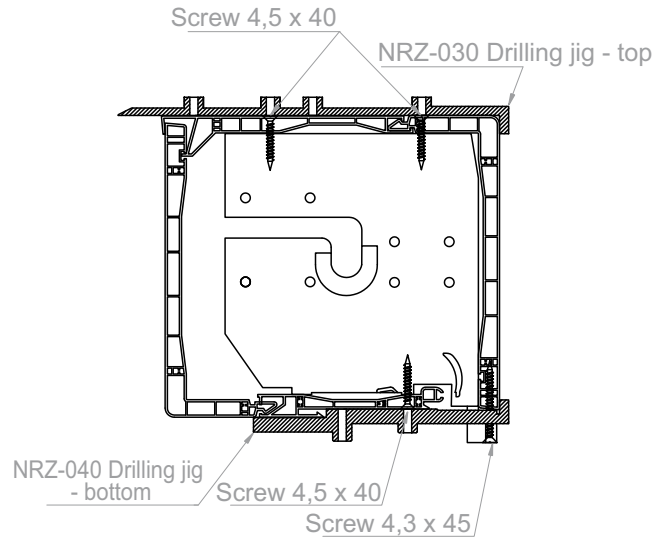


- | | | |
|---|-------|--|
| 1 | RKB2 | 160 box division for two single guides |
| | RKB3 | 200 box division for two single guides |
| 2 | RKZ34 | Roller bolt for \varnothing 40 pipe |
| 3 | SW 40 | Octagonal pipe \varnothing 40 |
| | SW 60 | Octagonal pipe \varnothing 60 |

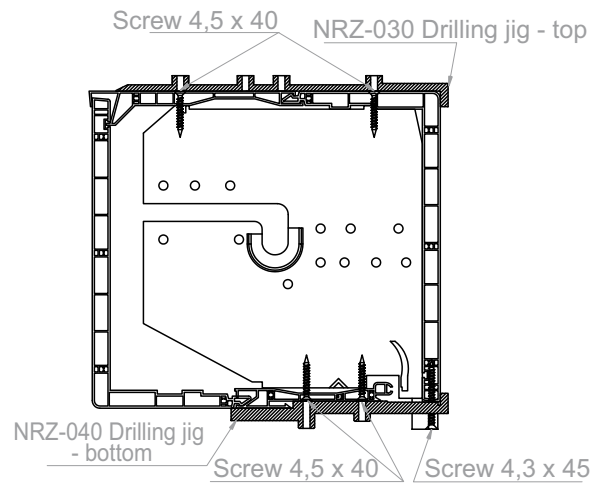
CC1000 Box 135
Installation of the RKM101 division



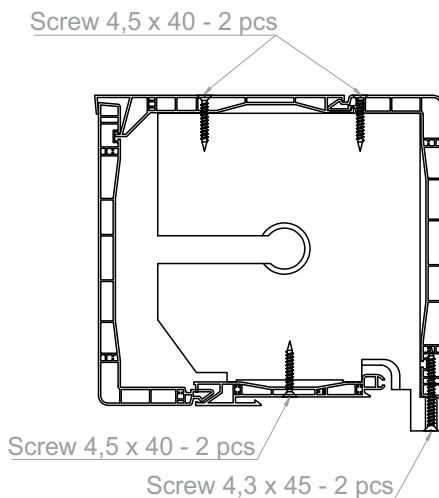
CC1000 Box 160
Installation of the RKM201 division



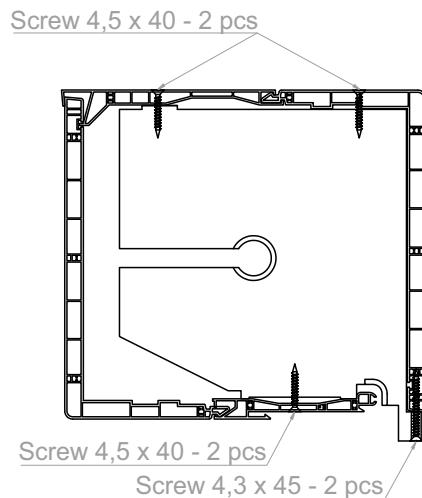
CC1000 Box 200
Installation of the RKM301 division



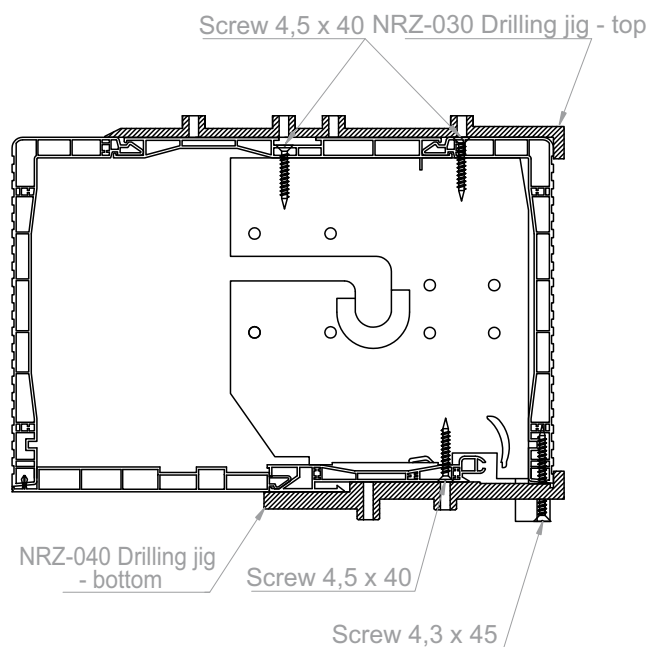
CC1000 Box 160
Installation of the RKB2 division



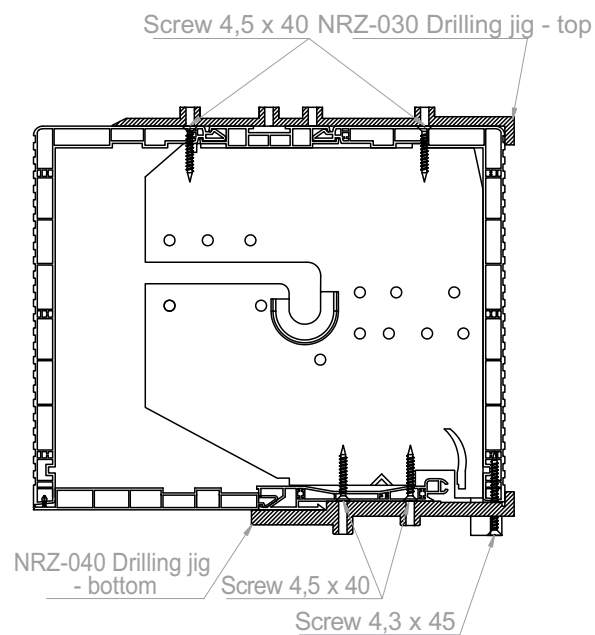
CC1000 Box 200
Installation of the RKB3 division



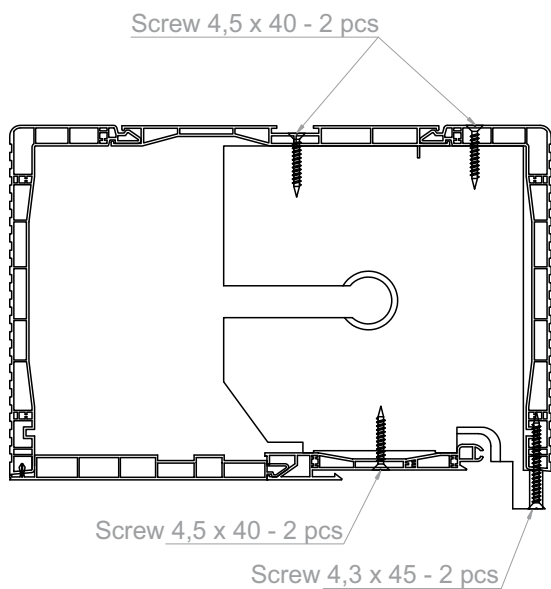
TL1000 Box 160
 Installation of the RKM201 division



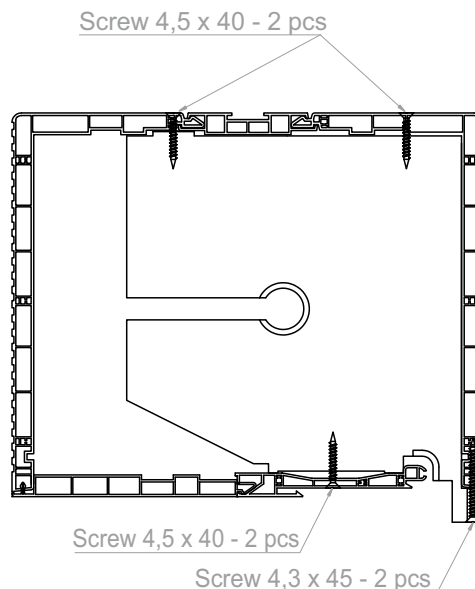
CC1000 Box 160
 Installation of the RKM201 division



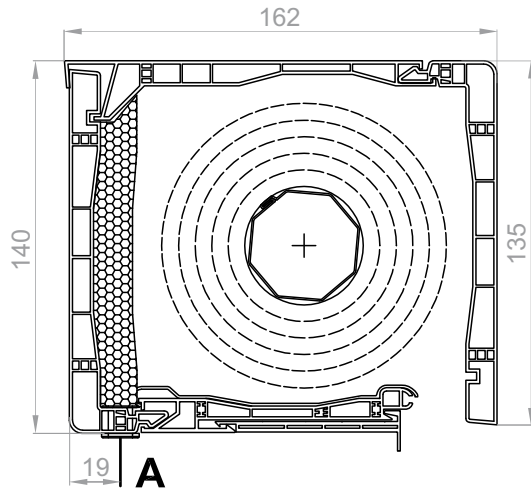
TL1000 Box 160
 Installation of the RKB2 division



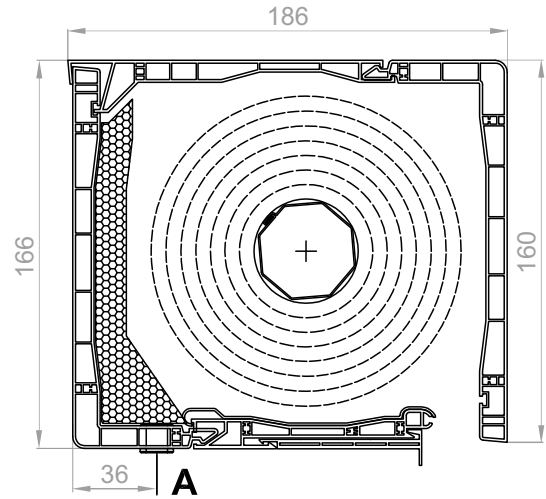
TL1000 Box 200
 Installation of the RKB3 division



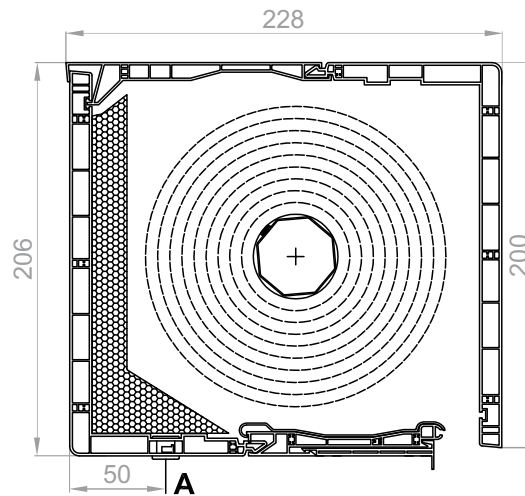
CC1000 Box 135
 Entry of the tape



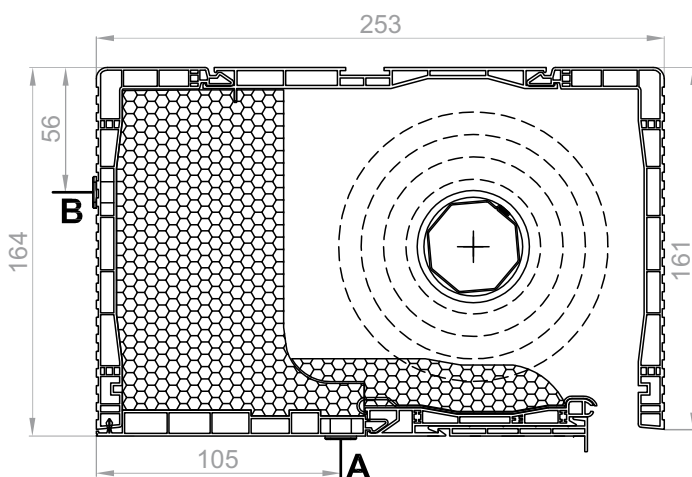
CC1000 Box 160
 Entry of the tape



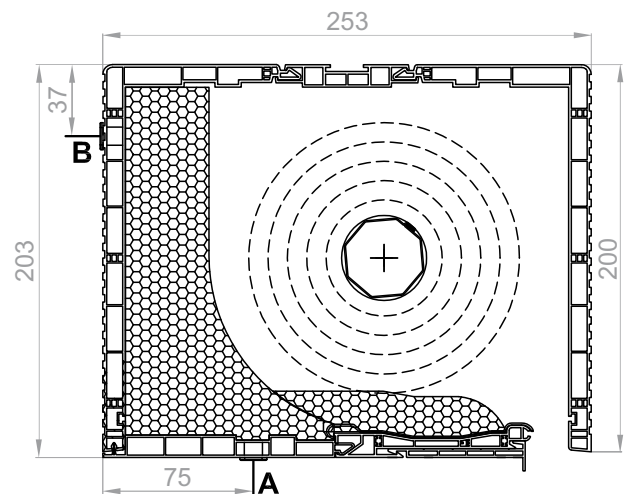
CC1000 Box 200
 Entry of the tape



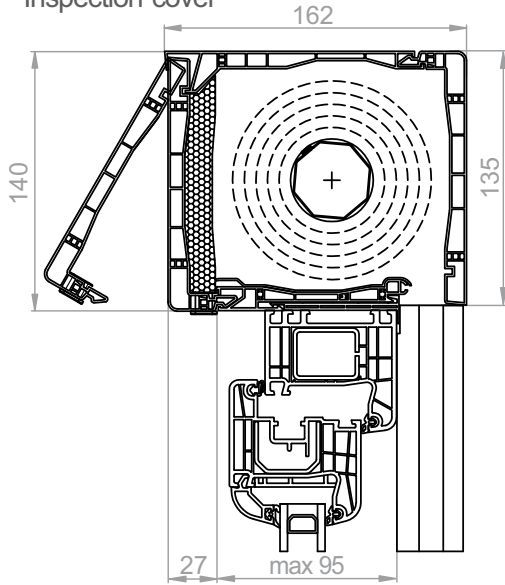
TL1000 Box 160
 Entry of the tape



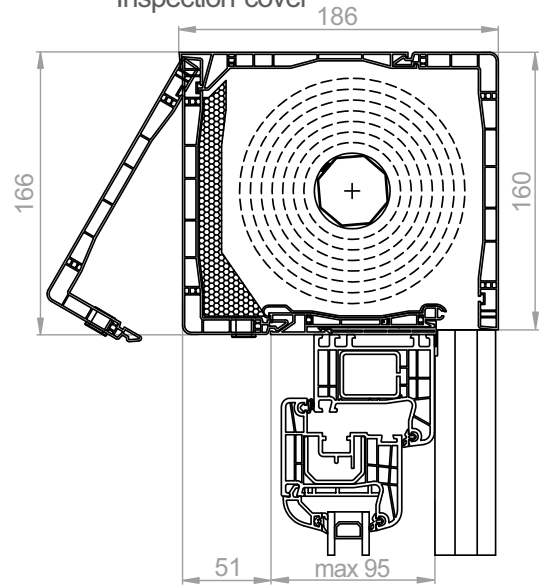
TL1000 Box 200
 Entry of the tape



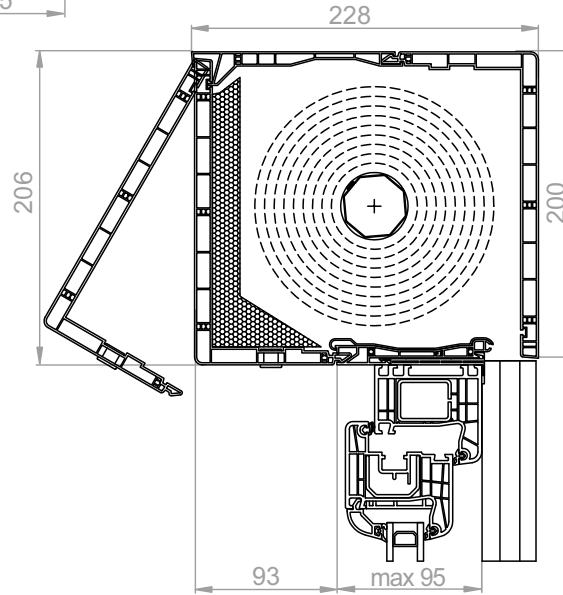
CC1000 Box 135
 Inspection cover



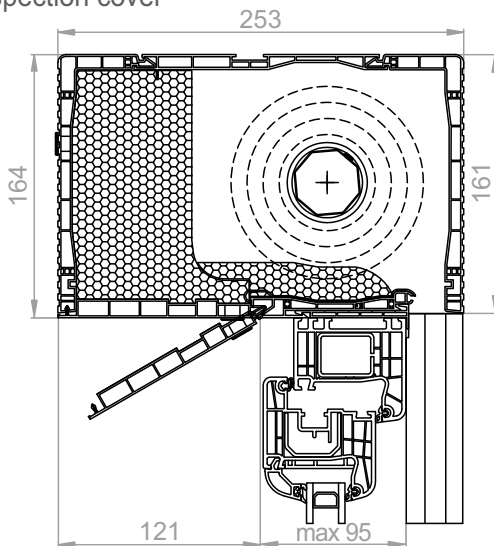
CC1000 Box 160
 Inspection cover



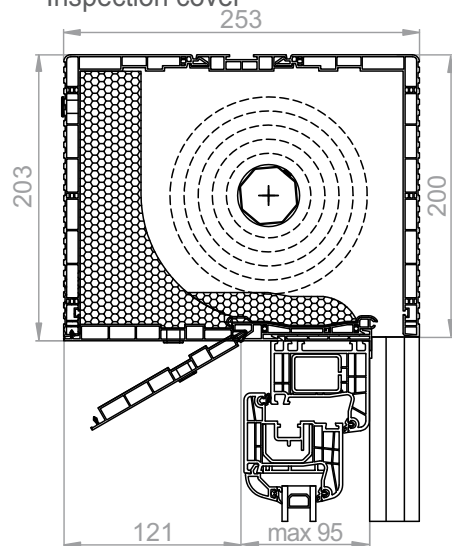
CC1000 Box 200
 Inspection cover

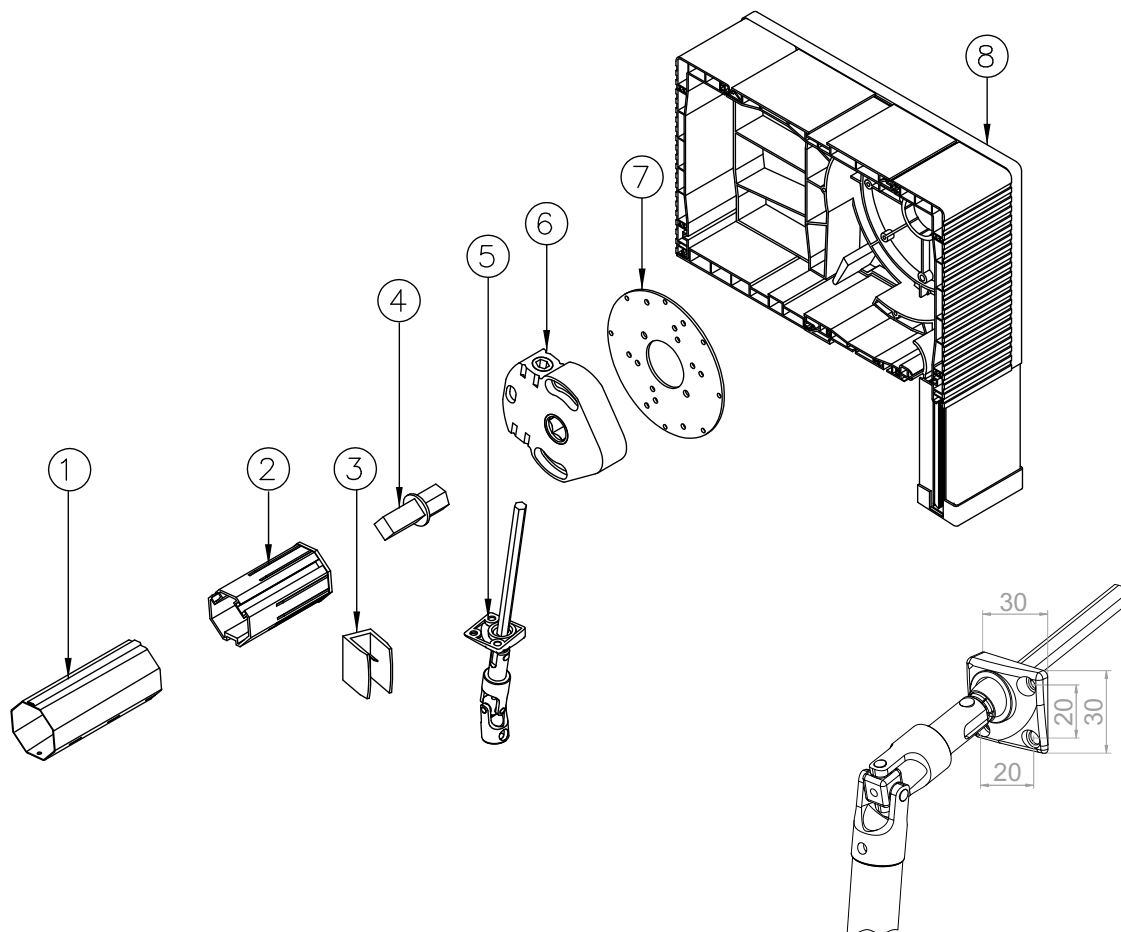


TL1000 Box 160
 Inspection cover

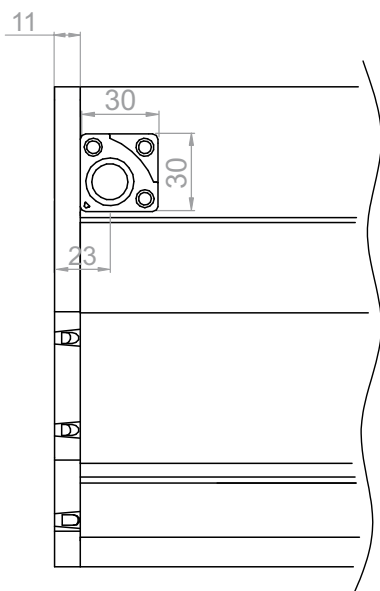


TL1000 Box 200
 Inspection cover





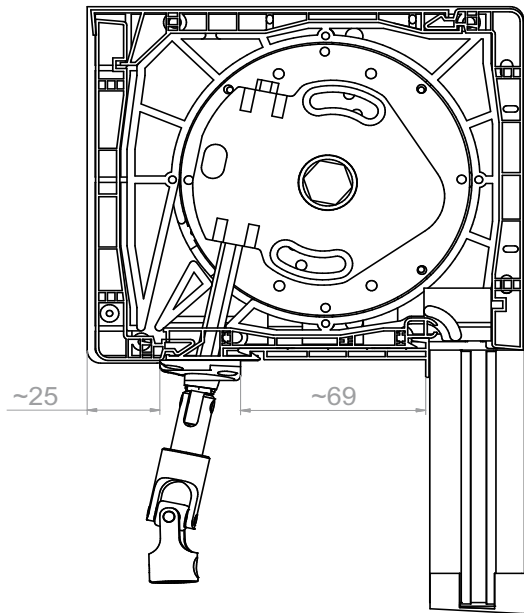
NOTE - Shutters with crank lifting mechanism drive with cardan joint cannot be equipped with automatic bolts.



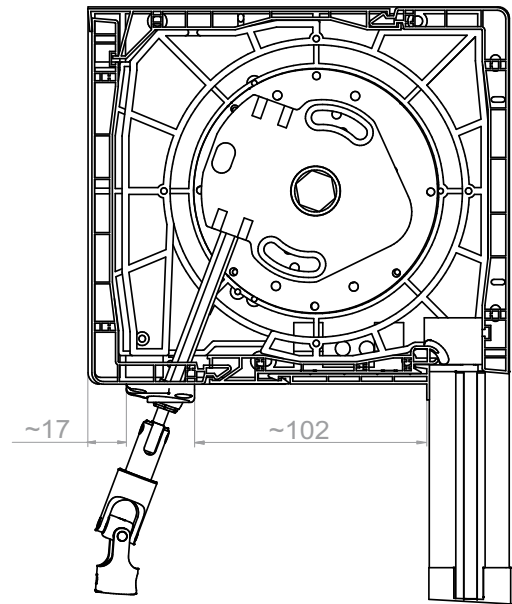
Dimensioning of the cardan mechanism output out of the shutter box

1. SW 40	Octagonal pipe \varnothing 40 mm
SW 60	Octagonal pipe \varnothing 60 mm
2. OBS-40-ACE	\varnothing 40 mounting for the ACE mechanism.
OBS-60-ACE	\varnothing 60 mounting for the ACE mechanism.
3.	Wall handle for crank - included in the crank set
4.	ACE Mounting pin - included with the ACE mechanism
5. KRH-ZF	Cardan 165 with crank 1430 mm
6. ACE-1-8 MAŁY	ACE 1:8 small crank mechanism
7. RKZ56	Plate for PCV box motor
8. Skrzynka PVC	(depending on CC1000, TL1000 system)

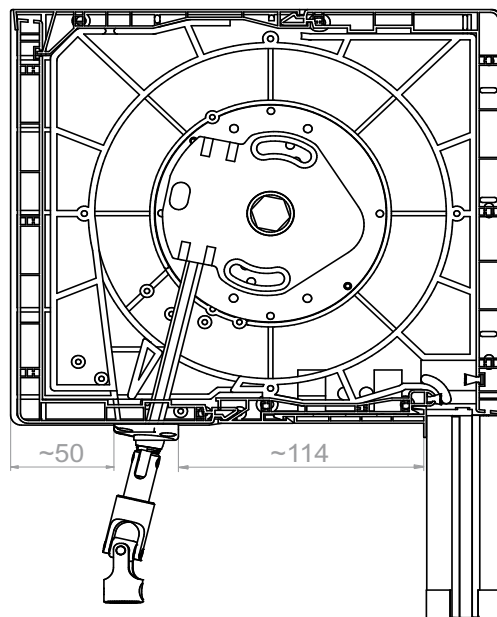
CC1000 - box 135
Crank lifting mechanism with cardan joint



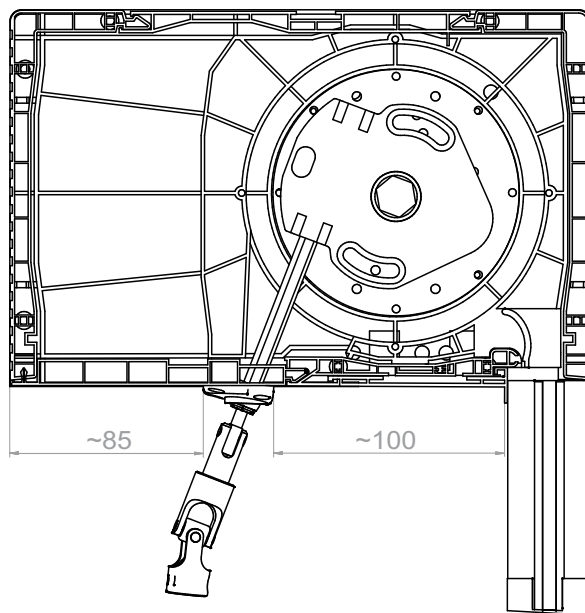
CC1000 - box 160
Crank lifting mechanism with cardan joint



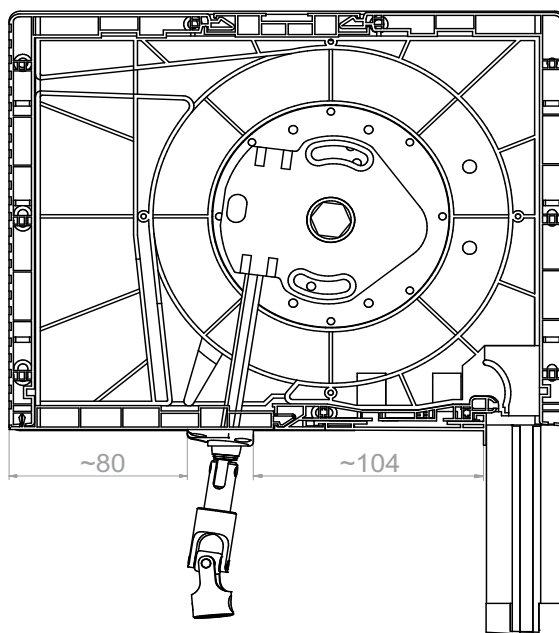
CC1000 - box 200
Crank lifting mechanism with cardan joint



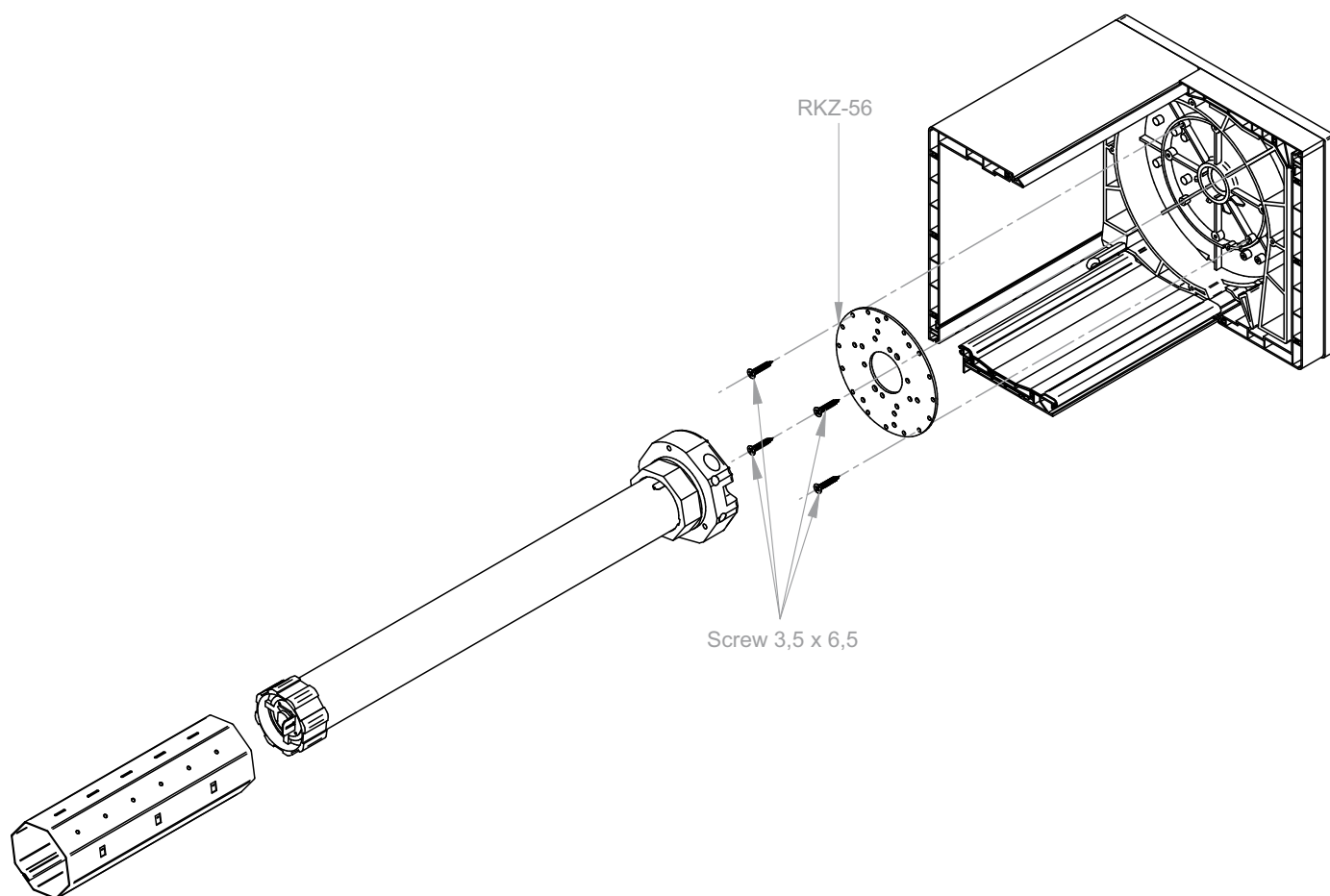
TL1000 - box 160
Crank lifting mechanism with cardan joint



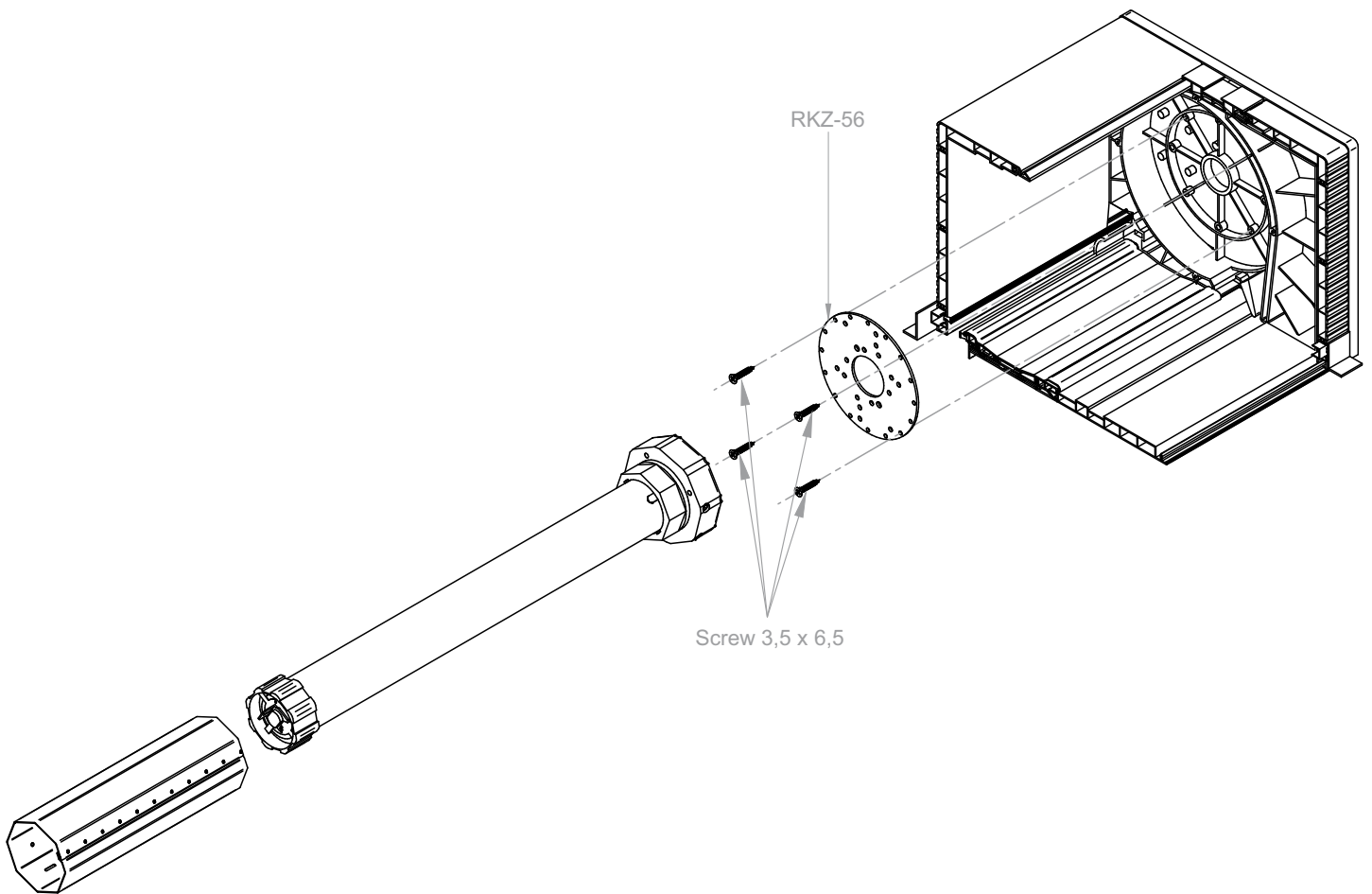
TL1000 - box 200
Crank lifting mechanism with cardan joint



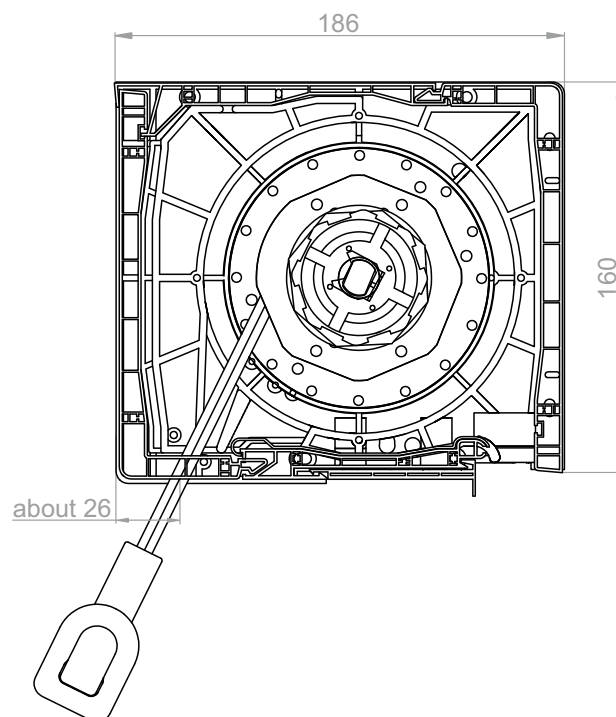
Installation of the NHK motor in CC1000 system shutter.



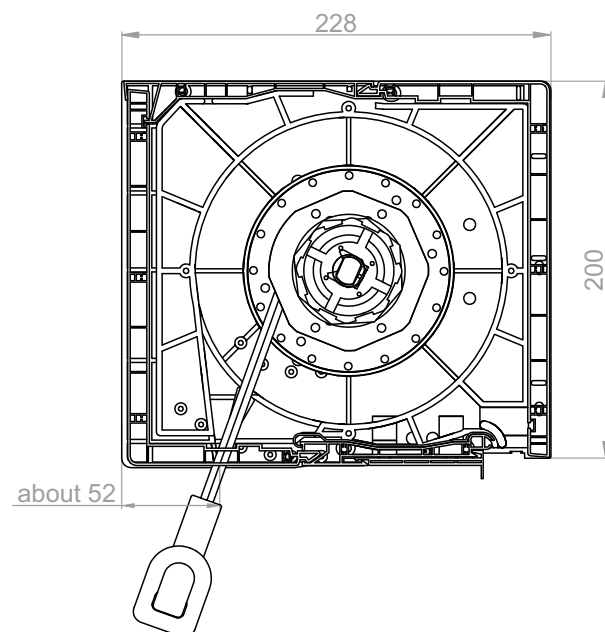
Installation of the NHK motor in TL1000 system shutter.



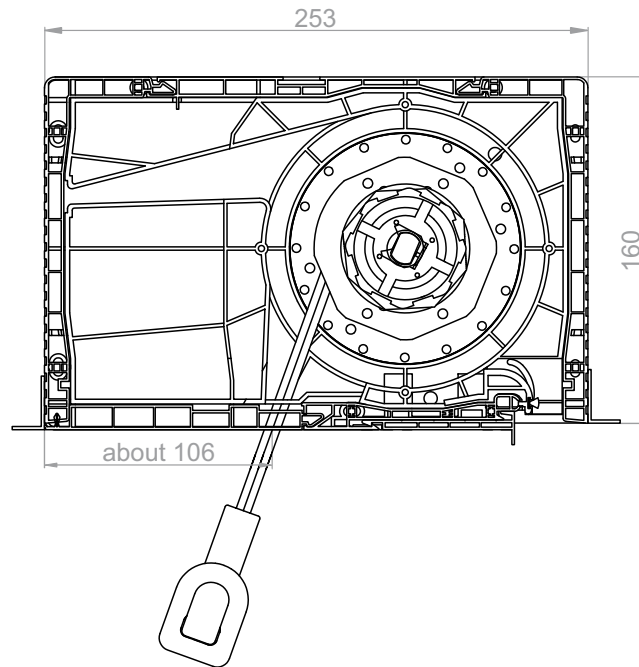
Box 160
Motor with emergency manual operation (NHK)
Output from the bottom.



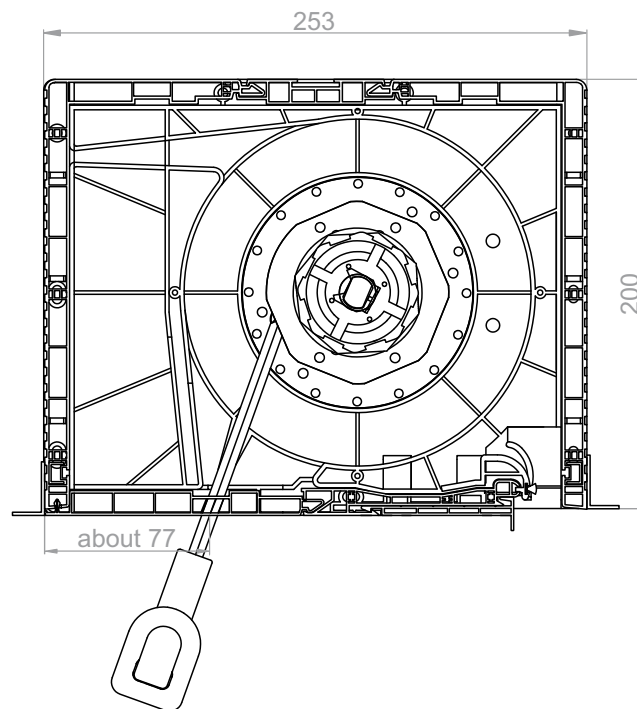
Box 200
Motor with emergency manual operation (NHK)
Output from the bottom.



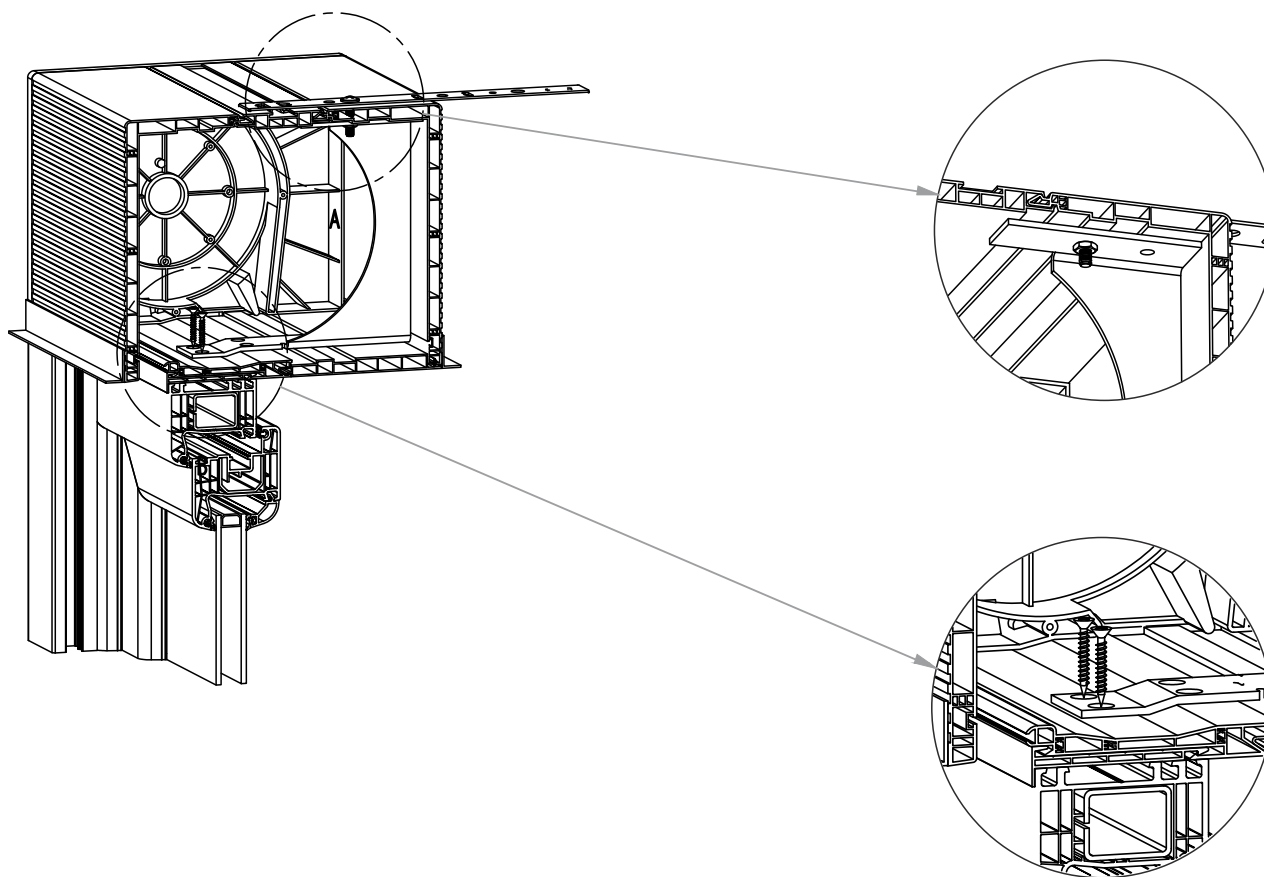
Box 160
Motor with emergency manual operation (NHK)
Output from the bottom.



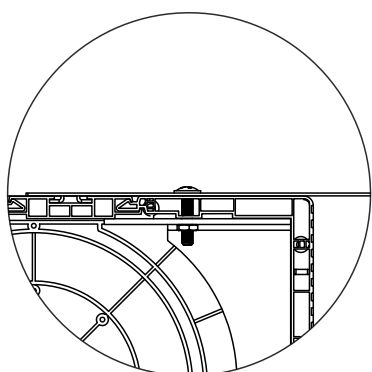
Box 200
Motor with emergency manual operation (NHK)
Output from the bottom.



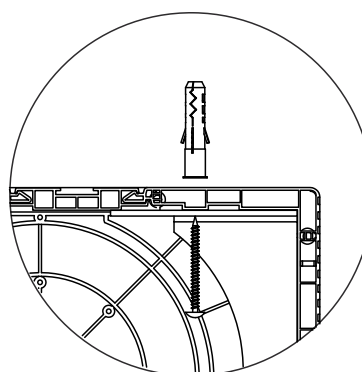
The stabilizing console is mounted as standard every 1m from the outer edge of the box side (with the use of the supplied bolts and screws).



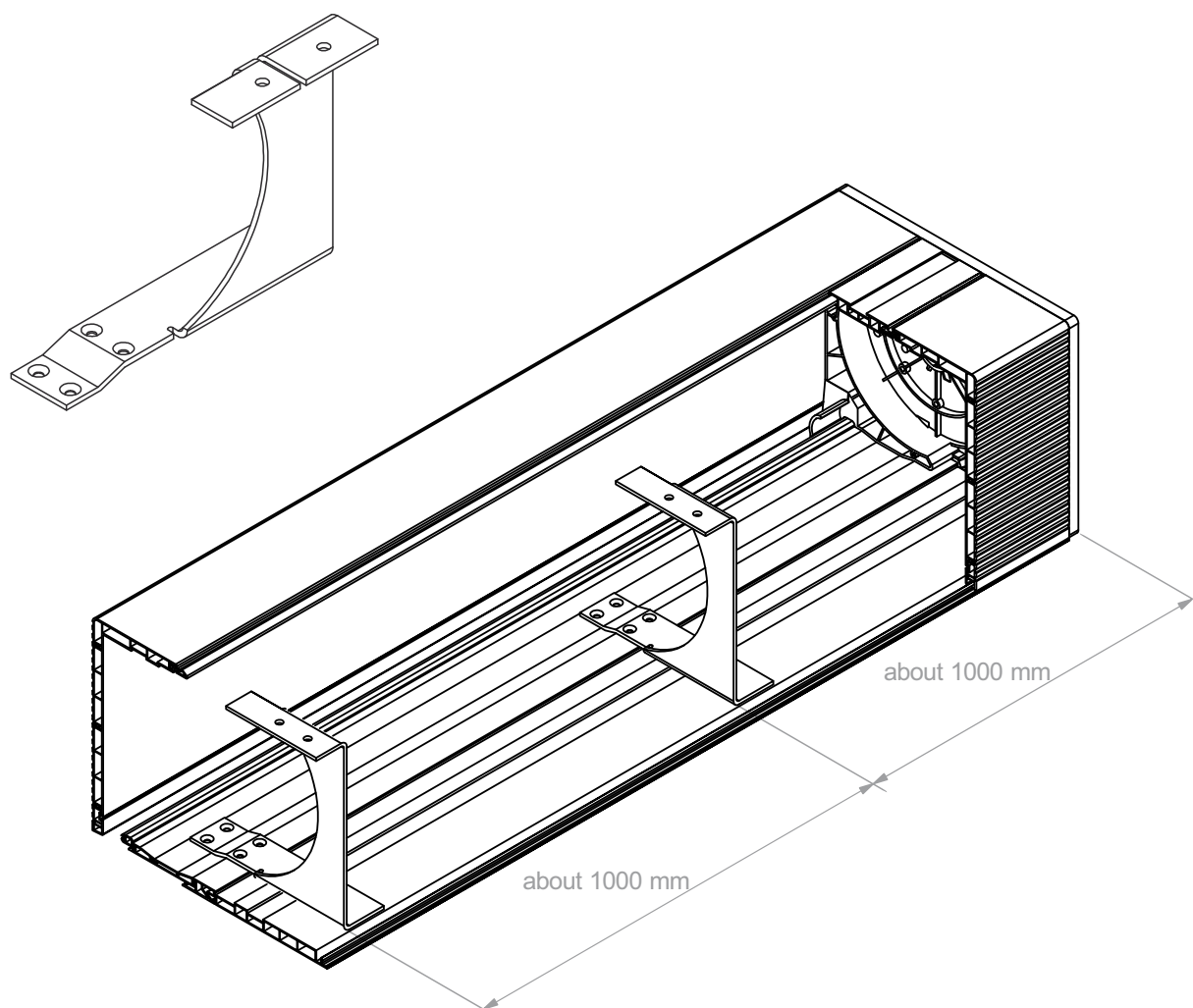
Mounting the stabilizing console in the top part with a mounting anchor.



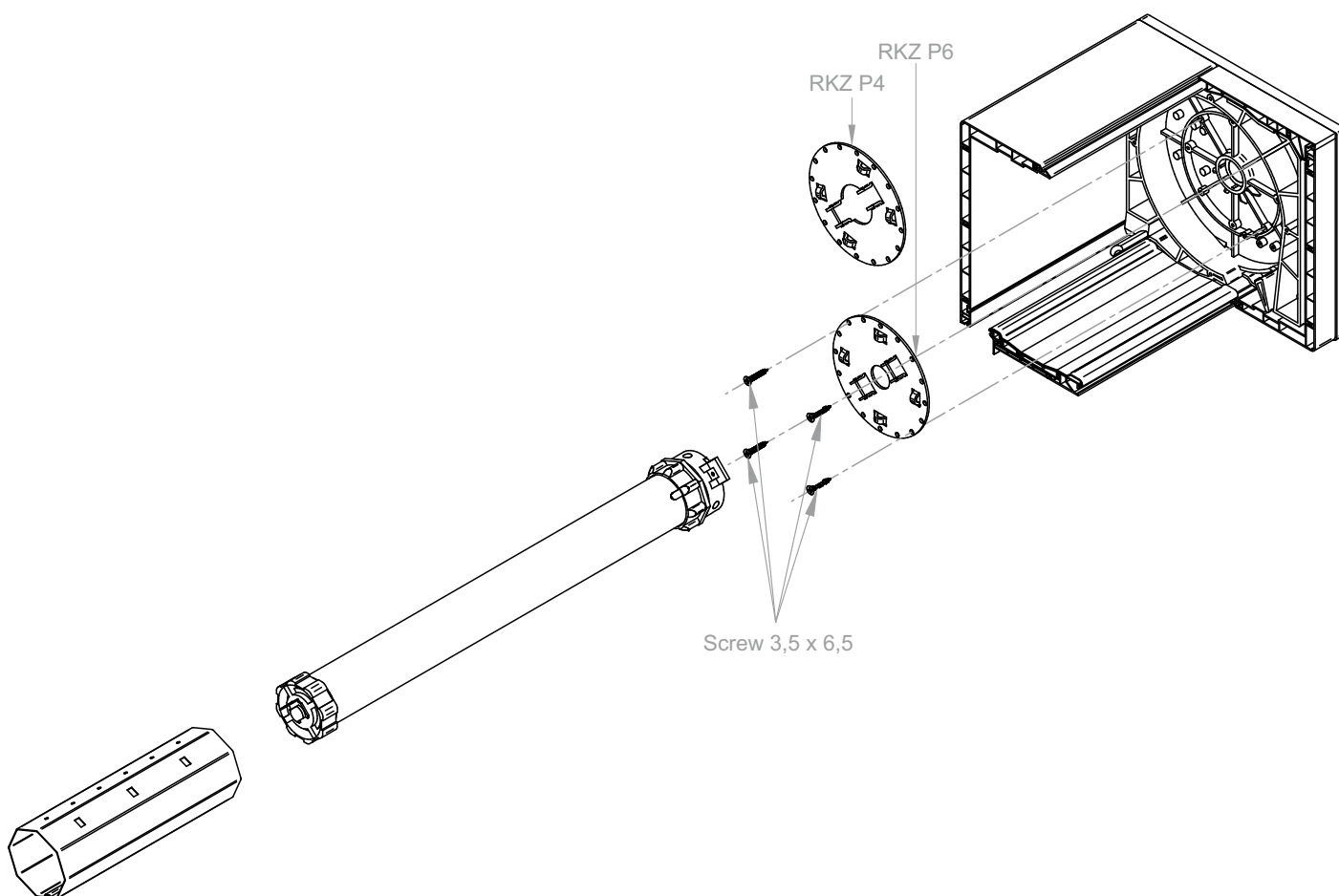
Mounting the stabilizing console in the top part without a mounting anchor.



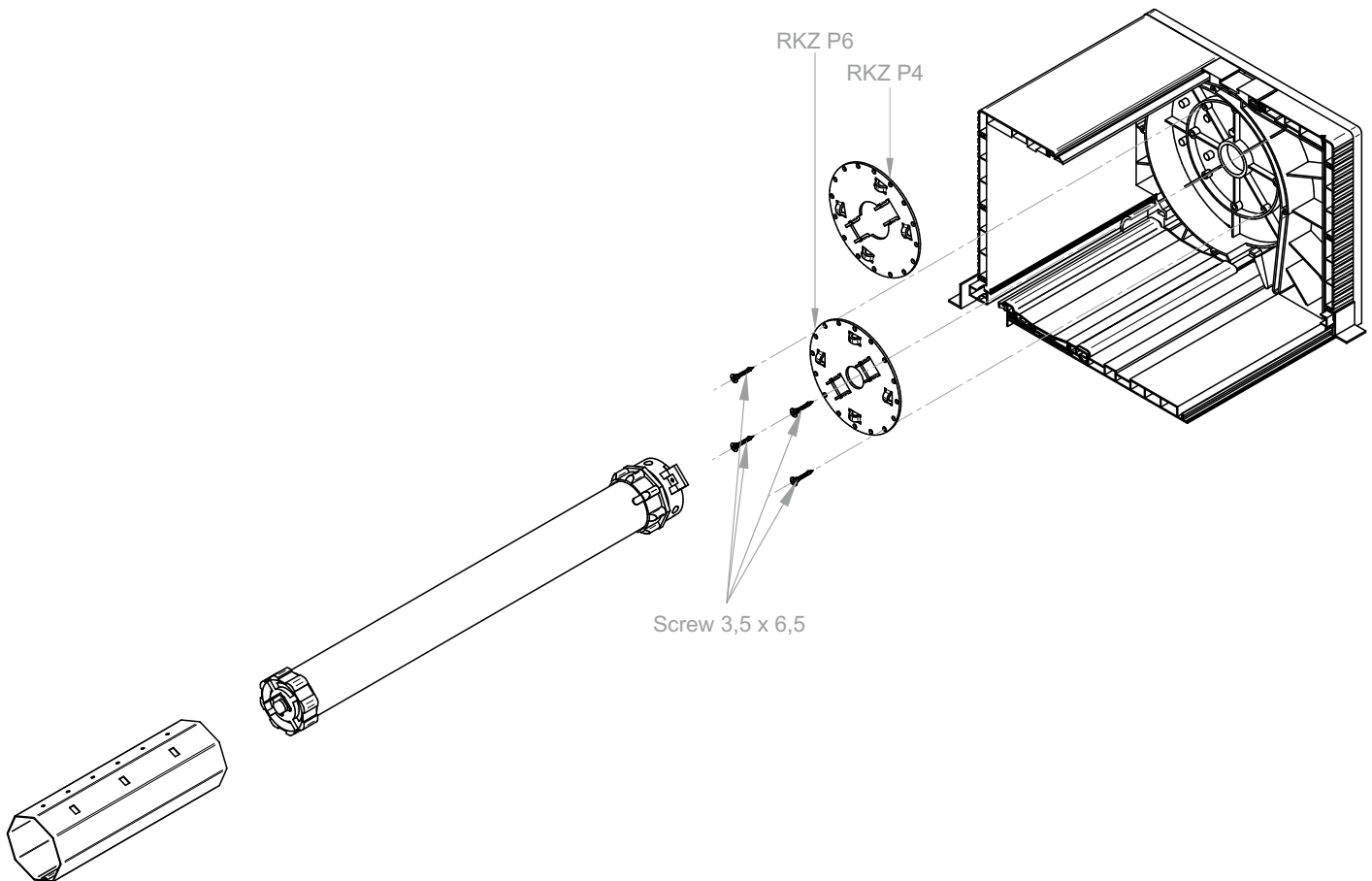
Illustrative arrangement of the stabilizing console in the TL1000 shutter box.



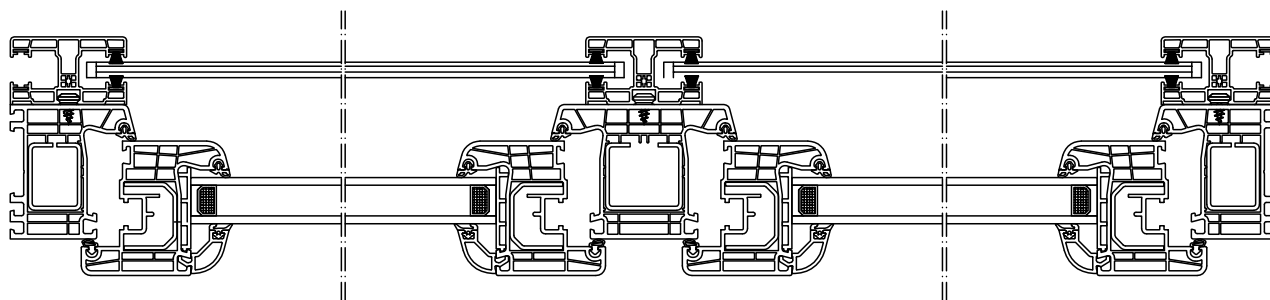
Installation of the motor in CC1000 system shutter.



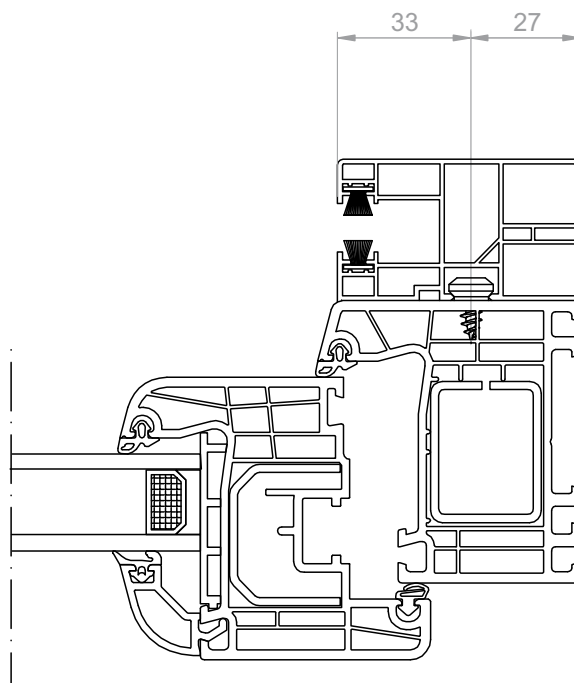
Installation of the motor in TL1000 system shutter.



Installation of RK-18 single guide with RK-18 double guide



View of the RK-16 single guide with a window frame



PA-39 and PA-45 curtain (including profile plugs)

Type of the box	width 0.35 - 2 m, max. area 6.5 m ²			width 0.35 - 2.5 m, max. area 6.5 m ²			width 0.35 - 3 m, max. area 6.5 m ²		
	Max. height of the shutter with box (cm)			Max. height of the shutter with box (cm)			Max. height of the shutter with box (cm)		
		with the use of automatic bolt (cm)	with the use of the blocking bracket (cm)		with the use of automatic bolt (cm)	with the use of the blocking bracket (cm)		with the use of automatic bolt (cm)	with the use of the blocking bracket (cm)
PVC	PA-39 ø 40+PZ50	PA-39 ø 40-rygiel	PA-39 ø 40-WB.	PA-39 ø 60+PZ70	PA-39 ø 60-rygiel	PA-39 ø 60-WB	PA-45 ø 60+PZ70	PA-45 ø 60-rygiel	PA-45 ø 60-WB
PSK-135 Size 135 mm	136	132	116	118 (*)	X	X	X		X
PSK-160 Size 160 mm	202	198	202	194	190	163	138		129
PSK-200 Size 200 mm	319	319	311	311	307	272	241		219

PVC-37 curtain (including profile plugs)

width from 0.35 m to 1.6 m, max. area. 3 m²

Type of the box	Max. height of the shutter with box (cm)			Max. height of the shutter with box (cm)			max. thickness of the window frame 95 mm	kind of the box	height of the box	depth of the box
		with the use of automatic bolt (cm)	with the use of the blocking bracket (cm)		with the use of automatic bolt (cm)	with the use of the blocking bracket (cm)				
	PCV	PVC-37 ø 40+PZ50	PVC-37 ø 40-rygiel	PVC-37 ø 40-WB.	PVC-37 ø 60+PZ70	PVC-37 ø 60-rygiel				
PSK-135 Size 135 mm	155	X	133	117 (*)	X	X	PSK-135	135 mm	162 mm	
PSK-160 Size 160 mm	233	X	214	219	X	192	PSK-160	160 mm	186 mm	
PSK-200 Size 200 mm	384	X	347	341	X	325	PSK-200	200 mm	225 mm	

Note! With the shutter width of more than 2 m, use ø 60.

In addition, the box reinforcement - WSP is recommended for a width of more than 2 m. When using the reinforcement, values given in the tables should be reduced by 20 cm.

(*) it is not possible to install the NHK motor in a 135 mm box.

PZ - expansion ring from ø 40 to ø 50 or from ø 60 to ø 70.

PA-39 and PA-45 curtain (including profile plugs)

width 0.35 - 2 m, max. area 6.5 m² | width 0.35 - 2.5 m, max. area 6.5 m² | width 0.35 - 3 m, max. area 6.5 m²

Type of the box	Max. height of the shutter with box (cm)			Max. height of the shutter with box (cm)			Max. height of the shutter with box (cm)		
		with the use of automatic bolt (cm)	with the use of the blocking bracket (cm)		with the use of automatic bolt (cm)	with the use of the blocking bracket (cm)		with the use of automatic bolt (cm)	with the use of the blocking bracket (cm)
PVC	PA-39 ø 40+PZ50	PA-39 ø 40-rygiel	PA-39 ø 40-WB.	PA-39 ø 60+PZ70	PA-39 ø 60-rygiel	PA-39 ø 60-WB	PA-45 ø 60+PZ70	PA-45 ø 60-rygiel	PA-45 ø 60-WB
160 mm	202	198	202	194	190	156	138		129
200 mm	319	319	311	311	307	272	241		219
200 mm+stabilizing console	300	300	311	311	307	272	241		219
200 mm+stabilizing console	210	210	214	195	195	199	167		153

Note! When using the KNS, KNS-WSP stabilizing console, it is necessary to decrease the values given in the recommended box sizes: at the width of 0 - 2m - by 30 cm, width of 2.01-2.5m - by 40 cm, width of 3m and max. area of 6.5 m² - by 30 cm (concerns box 160 mm, box 200 acc. table above).

PVC-37 curtain (including profile plugs)

width from 0.35 m to 1.6 m, max. area. 3 m²

Type of the box	Max. height of the shutter with box (cm)			Max. height of the shutter with box (cm)		
		with the use of automatic bolt (cm)	with the use of the blocking bracket (cm)		with the use of automatic bolt (cm)	with the use of the blocking bracket (cm)
PVC	PVC-37 ø 40+PZ50	PVC-37 ø 40-rygiel	PVC-37 ø 40-WB.	PVC-37 ø 60+PZ70	PVC-37 ø 60-rygiel	PVC-37 ø 60-WB
160 mm	233	X	170	219	X	192
200 mm	384	X	355	341	X	321
200 mm+stabilizing console	327	X	327	315	X	315
200 mm+stabilizing console	201	X	204	186	X	186

max. thickness of the window frame
95 mm

kind of the box	height of the box	depth of the box
PSK-160	160 mm	253 mm
PSK-200	200 mm	253 mm

(Boxes prepared for anchoring)

Note! With the shutter width of more than 2 m, use ø 60. In addition, the box reinforcement - WSP is recommended for a width of more than 2 m. When using the reinforcement, values given in the tables should be reduced by 20 cm. For each shutter it is recommended to include SKM mounting anchors counting 40 cm from the side of the box, each subsequent anchor is installed every 50 cm. For shutters with a width of more than 1.80 m it is advisable to include stabilizing consoles. When using a stabilizing console, consider the smaller box sizes (concerns box 160 mm, box 200 acc. table above). PZ - expansion ring from ø 40 to ø 50 or from ø 60 to ø 70.

Dowód
Obliczenie współczynnika przenikania ciepła

Sprawozdanie z badań
Nr 13-001431-PR02
(PB-EC1-06-cs-02)

Zleceniodawca: PORTOS ul. Ziela 71 62-800 Kalisz Polska

Podstawa: EN ISO 10077-2:2012-02; SG 06-cocowiznaczeni; NR CPD(S)GAGN 1083 2011-09

Produkt: Skrzynka rolety z tworzywa sztucznego

Oznaczenie: System TL1000/160

Opis: Materiał: polichlorek winylu (PVC-U) twardy; szerokość wlotowa w mm: 164; głębokość konstrukcyjna w mm: 253; władka izolacyjna; materiał ekspansyjny polistyren; szczelina wylotowa; wykład w mm: 0,038; system uszczelnienia z uszczelką szczotkową wewnątrz i od zewnątrz; powłoka w skłonie lekko wertykalna (e₁ ≤ 35 mm / e₂ + e₃ ≤ 2 mm); panel zastępczy ramy okna; materiał adiabatyczny; grubość w mm: 70

Wynik: Obliczenie współczynnika przenikania ciepła wg EN ISO 10077-2:2012-02
 $U_{35} = 1,1 \text{ W/(m}^2\text{K)}$

Wskazówki dot. zastosowania: Zakres ważności: Wskazówki dot. publikacji: Treść

ift Rosenheim 02.03.2015

Manuel Dornel, Maurice Mayer

Dowód
Obliczenie współczynnika przenikania ciepła

Sprawozdanie z badań
Nr 13-001431-PR06
(PB-EC1-06-cs-02)

Zleceniodawca: PORTOS ul. Ziela 71 62-800 Kalisz Polska

Podstawa: EN ISO 10077-2:2012-02; SG 06-cocowiznaczeni; NR CPD(S)GAGN 1083 2011-09

Produkt: Skrzynka rolety z tworzywa sztucznego

Oznaczenie: System TL1000/200

Opis: Materiał: polichlorek winylu (PVC-U) twardy; szerokość wlotowa w mm: 203; głębokość konstrukcyjna w mm: 253; władka izolacyjna; materiał ekspansyjny polistyren "PRO-LAMEDA"; szczelina wylotowa; wykład w mm: 0,038; system uszczelnienia z uszczelką szczotkową wewnątrz i od zewnątrz; powłoka w skłonie lekko wertykalna (e₁ ≤ 35 mm / e₂ + e₃ ≤ 2 mm); panel zastępczy ramy okna; materiał adiabatyczny; grubość w mm: 70

Wynik: Obliczenie współczynnika przenikania ciepła wg EN ISO 10077-2:2012-02
 $U_{35} = 1,2 \text{ W/(m}^2\text{K)}$

Wskazówki dot. zastosowania: Zakres ważności: Wskazówki dot. publikacji: Treść

ift Rosenheim 02.03.2015

Manuel Dornel, Maurice Mayer

Dowód
Obliczenie współczynnika przenikania ciepła

Sprawozdanie z badań
Nr 13-001431-PR03
(PB-EC1-06-cs-02)

Zleceniodawca: PORTOS ul. Ziela 71 62-800 Kalisz Polska

Podstawa: EN ISO 10077-2:2012-02; SG 06-cocowiznaczeni; NR CPD(S)GAGN 1083 2011-09

Produkt: Skrzynka rolety z tworzywa sztucznego

Oznaczenie: System TL1000/200

Opis: Materiał: polichlorek winylu (PVC-U) twardy; szerokość wlotowa w mm: 203; głębokość konstrukcyjna w mm: 253; władka izolacyjna; materiał ekspansyjny polistyren; szczelina wylotowa; wykład w mm: 0,038; system uszczelnienia z uszczelką szczotkową wewnątrz i od zewnątrz; powłoka w skłonie lekko wertykalna (e₁ ≤ 35 mm / e₂ + e₃ ≤ 2 mm); panel zastępczy ramy okna; materiał adiabatyczny; grubość w mm: 70

Wynik: Obliczenie współczynnika przenikania ciepła wg EN ISO 10077-2:2012-02
 $U_{35} = 1,2 \text{ W/(m}^2\text{K)}$

Wskazówki dot. zastosowania: Zakres ważności: Wskazówki dot. publikacji: Treść

ift Rosenheim 02.03.2015

Manuel Dornel, Maurice Mayer

Dowód
Obliczenie współczynnika przenikania ciepła

Sprawozdanie z badań
Nr 13-001431-PR04
(PB-EC1-06-cs-02)

Zleceniodawca: PORTOS ul. Ziela 71 62-800 Kalisz Polska

Podstawa: EN ISO 10077-2:2012-02; SG 06-cocowiznaczeni; NR CPD(S)GAGN 1083 2011-09

Produkt: Kaseta rolety z tworzywa sztucznego z dodatkową władką izolacyjną

Oznaczenie: System TL1000/200

Opis: Materiał: polichlorek winylu (PVC-U) twardy; szerokość wlotowa w mm: 203; głębokość konstrukcyjna w mm: 253; władka izolacyjna; materiał ekspansyjny polistyren; szczelina wylotowa; wykład w mm: 0,038; system uszczelnienia z uszczelką szczotkową wewnątrz i od zewnątrz; powłoka w skłonie lekko wertykalna (e₁ ≤ 35 mm / e₂ + e₃ ≤ 2 mm); panel zastępczy ramy okna; materiał adiabatyczny; grubość w mm: 70

Wynik: Obliczenie współczynnika przenikania ciepła wg EN ISO 10077-2:2012-02
 $U_{35} = 0,95 \text{ W/(m}^2\text{K)}$

Wskazówki dot. zastosowania: Zakres ważności: Wskazówki dot. publikacji: Treść

ift Rosenheim 02.03.2015

Konrad Huber, Maurice Mayer

